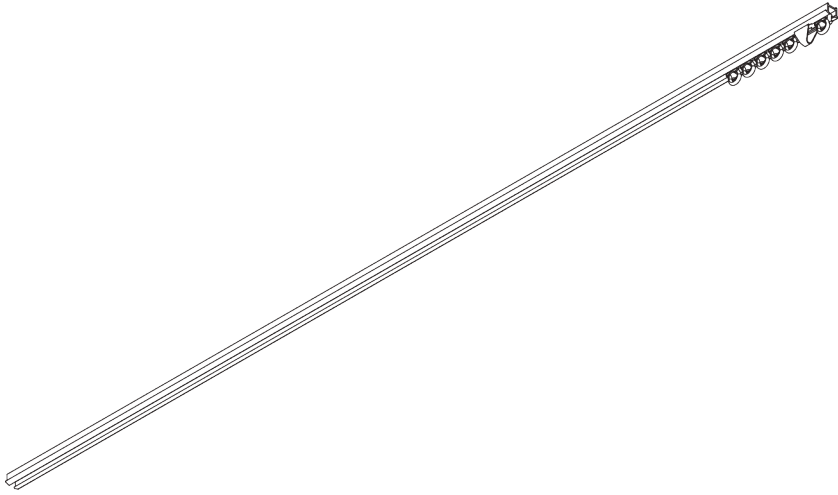


# SG 1011

---



## PRODUCT INFORMATION

- **Operation:** hand
- **Range:** S
- **Fitting:** recess (center SG 7550)
- **Colours:** white RAL 9016 or anodised aluminum, special colours possible
- **Fabrics:** refer to Silent Gliss fabric collection

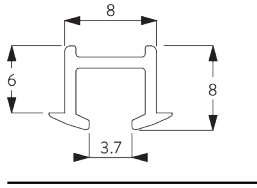
### **Features:**

- Pre-drilled profile
- Bendable

# SYSTEM SPECIFICATIONS

## A. PROFILE

Profile and bending information

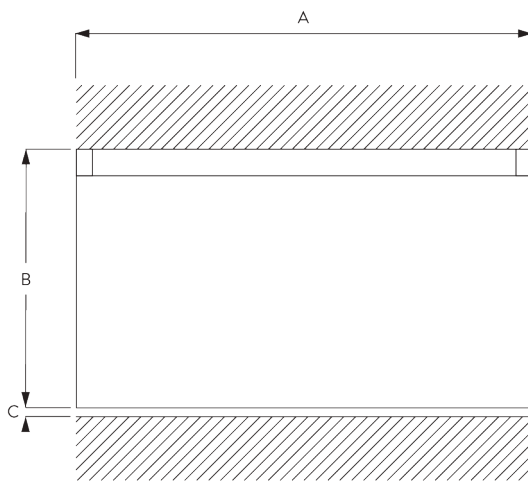


**SG 1011p**

Profile

Radius:  
✓ 6 cm, 10 cm

## B. HOW TO MEASURE



A: System width

B: System height

C: Distance between floor and fabric

## C. SPECIFICATION

### TEXT

#### EN

Silent Gliss SG 1011 Hand Drawn Curtain Track System for recessed fitting. Comprises aluminium profile SG1011 supplied made to measure in silver anodised or white powder coated, alternatively a specified RAL colour. SG 3533 at 14/m and 2 end stops SG 3070/SG 3085 Spring stops per length. Top fixed directly to ceiling with screws at 120 mm centres SG3019/3025.

#### SV

Silent Gliss SG 1011 handdragssystem för infällning. Består av aluminiumprofil SG 1011 i specificerad längd i vitlack, alu natur eller angiven RAL färg. 14 st SG 3533 glid per meter, 2 st SG 3070 vridstopp/SG 3085 fjäder per system. Skruvas direkt i tak m skruv SG 3019/SG 3025 c/c 120 mm.

#### NO

Silent Gliss SG 1011 gardinskinner for innfelling. Består av aluminiumprofil SG 1011 i spesifisert lengde, standard i hvitlakkert eller alu natur. Kan også leveres i ønsket RAL farg. 14 stk SG 3533 glidere pr meter, 2 st SG 3070 vristopp/SG 3085 fjær pr system. Skrus direkte i taket med skrue SG 3019/SG 3025 c/c 120 mm.

#### DA

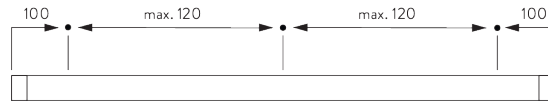
Silent Gliss SG 1011 håndtrukket gardinskinnesystem til indfældning. Består af en aluminiumprofil SG1011 i ønsket længde, sølvanodiseret eller hvid pulverlakering, alternativt en specificeret RAL-farve. 14 stk. SG 3533 pr. m og 2 stk. SG 3070 endestop eller SG 3085 fjeder pr. længde. Fastgøres direkte i loftet med skruer SG3019/3025 med højst 120 mm afstand.

# FITTING

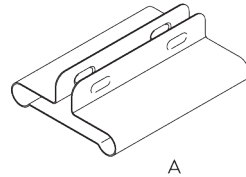
## A. FITTING INFORMATION

For detailed fitting information, visit the *Silent Gliss* website.

### Fixing points



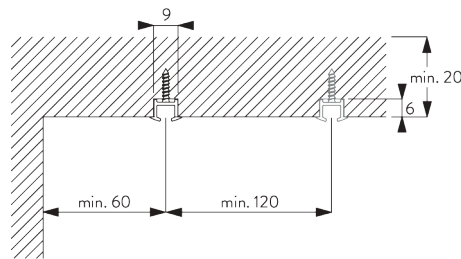
### Profile Protector



A: Profile Protector SG 7002  
B: Special screw SG 3019 / 12 mm  
C: Special screw SG 3025 / 18 mm

## B. RECESS FITTING

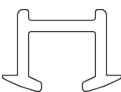
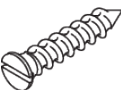




### Direct into wood




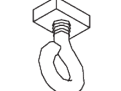

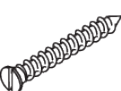

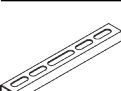





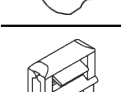
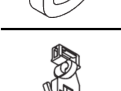
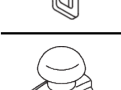
Recess channel: 6 x 9 mm

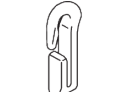

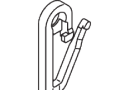
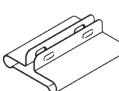






# PARTS

## A. STANDARD PARTS

	<b>SG 1011p</b> Profile
	<b>SG 3019</b> Special screw 12 mm
	<b>SG 3070</b> End stop
	<b>SG 3085</b> Spring stop
	<b>SG 3533</b> Glider
	<b>SG 3599</b> Hook

## B. OPTIONAL PARTS

	<b>SG 3012</b> Hook
	<b>SG 3016</b> End stop
	<b>SG 3020</b> Hook
	<b>SG 3025</b> Special screw 18 mm
	<b>SG 3032</b> Spring stop
	<b>SG 3063</b> Connection bridge
	<b>SG 3071</b> End stop
	<b>SG 3511</b> Glider
	<b>SG 3534</b> Glider 3533 on strip
	<b>SG 3535</b> Glider
	<b>SG 3537</b> Glider
	<b>SG 3548</b> Glider
	<b>SG 3549</b> Click glider with hook
	<b>SG 3570</b> Glider

	<b>SG 3571</b> Hook
	<b>SG 3582</b> Hook
	<b>SG 3598</b> Eyelet
	<b>SG 7002</b> Profile protector
	<b>SG 10430</b> Draw rod 50 cm
	<b>SG 10431</b> Draw rod 75 cm
	<b>SG 10432</b> Draw rod 100 cm
	<b>SG 10433</b> Draw rod 125 cm
	<b>SG 10434</b> Draw rod 150 cm
	<b>SG 11335</b> End stop