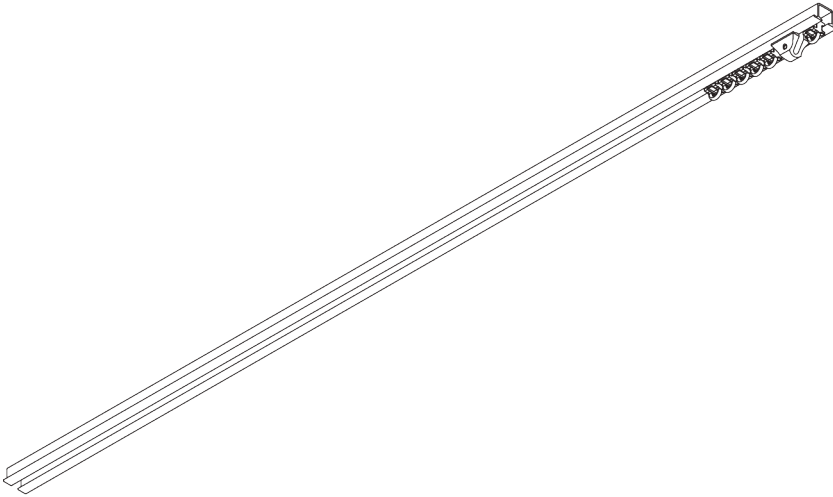


# SG 6243

---



## PRODUCT INFORMATION

- **Operation:** hand
- **Range:** S - M
- **Fitting:** recess
- **Colours:** white RAL 9016 or anodised aluminum, special colours possible
- **Fabrics:** refer to Silent Gliss fabric collection

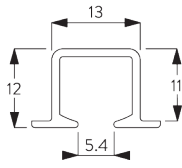
### **Features:**

- 2-component (2C) glider technology
- Wave (2C)
- Bendable
- Pre-drilled profile

# SYSTEM SPECIFICATIONS

## A. PROFILE

Profile and bending information

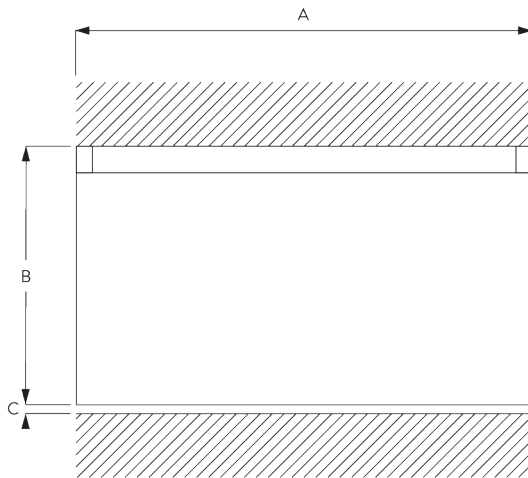


SG 6243p

Profile

Radius:  
20 cm, >25 cm

## B. HOW TO MEASURE



A: System width  
B: System height  
C: Distance between floor and fabric

## C. SPECIFICATION TEXT

### EN

Silent Gliss SG 6243 Hand Drawn Curtain Track System for recessed fitting. Comprises aluminium profile SG 6243 supplied made to measure in silver anodised or white powder coated, alternatively a specified RAL colour. SG 11300 SILENT TRACK at 14/m and 2 end stops SG 6065/Spring Stops SG 6086 per length. Top fix to ceiling with screws at max. 240 mm centres. Silent Gliss Wave option is available.

### SV

Silent Gliss SG 6243 handdragssystem för infällning. Består av aluminiumprofil SG 6243 i specificerad längd i vitlack, alu natur eller angiven RAL färg. 14 st SG 11300 SILENT TRACK glid per meter, samt 2 st SG 6065 vridstopp / Fjäder SG 6086 per system. Takmonteras med skruv c/c 240 mm. Kan användas med system Wave.

### NO

Silent Gliss SG 6243 Manuell gardinskinne for innfelling. Består av aluminiumprofil SG 6243 i spesifisert lengde, standard i hvitlakkert eller alu natur. Kan også leveres i spesifisert RAL farge. 14 stk SG 11300 SILENT TRACK glidere pr meter, 2 stk SG 6065 stopper og 2 stk SG 6086 fjær pr system. Takmonteres med skruer c/c 240mm. Kan kombineres med Wave.

### DA

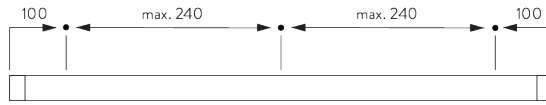
Silent Gliss SG 6243 håndtrukket gardinskinnesystem til indfældning. Består af en aluminiumprofil SG 6243 i ønsket længde, sølvanodiseret eller hvid pulverlakering, alternativt en specificeret RAL-farve. 14 stk. SG 11300 SILENT TRACK pr. m og 2 stk. SG 6065 endestop eller SG 6086 fjeder pr. længde. Fastgøres i loftet med skruer med højst 240 mm afstand. Kan bruges med Silent Gliss Wave.

# FITTING

## A. FITTING INFORMATION

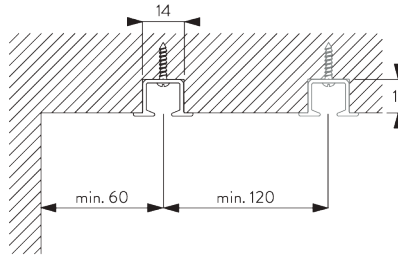
For detailed fitting information, visit the Silent Gliss website.

### Fixing points



## B. RECESS FITTING

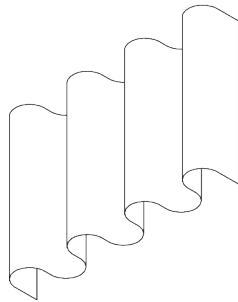
### Direct into wood



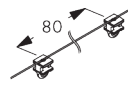
Recess channel: 11 x 14 mm

# SYSTEM OPTIONS

## A. WAVE



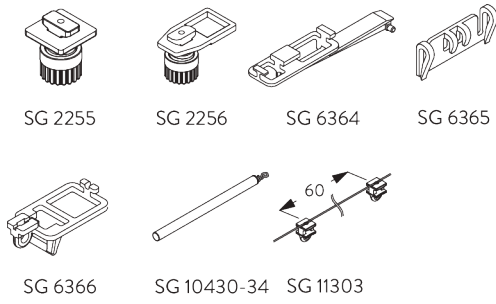
SG 11295



SG 11302

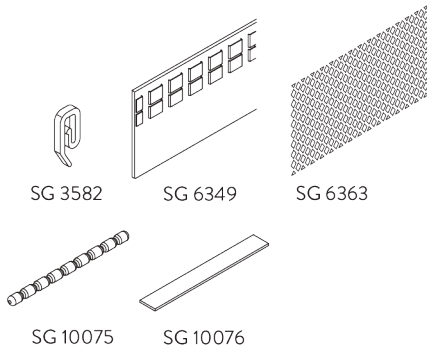
Standard components:

- SG 11295 End stop
- SG 11302 Wave 2C glider cord 80 mm



Optional components (min. radius >25 cm):

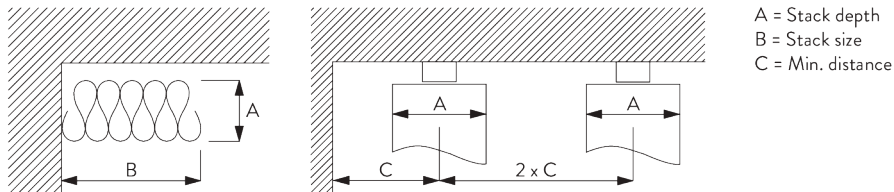
- SG 2255 Brake
- SG 2256 Brake
- SG 6364 Wave extension
- SG 6365 Wave hanger
- SG 6366 Wave carrier for draw rod
- SG 10430-34 Draw rod
- SG 11303 Wave 2C glider cord 60 mm



Curtain components:

- SG 3582 Hook
- SG 6349 Wave curtain tape
- SG 6363 Wave top hemming tape
- SG 10075 Lead weight 50 gr/m
- SG 10076 Fabric weight

Wave stack depth - 2C glider cord (standard components)



A = Stack depth  
B = Stack size  
C = Min. distance






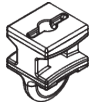
2C Glider cord SG 11302	Pockets between hooks	Approx. curtain fullness	Stack depth A	Stack size B*	Min distance C
80	6	~2.1	140	180 per metre of track	90
80	7	~2.3	160	180 per metre of track	100

2C Glider cord SG 11303	Pockets between hooks	Approx. curtain fullness	Stack depth A	Stack size B*	Min distance C
60	4	~2.1	100	230 per metre of track	70
60	5	~2.3	120	230 per metre of track	80

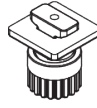
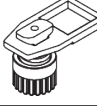


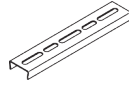






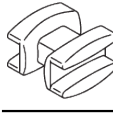


\*Stack size B when using optional extension arm increases by 150 mm per curtain!


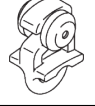
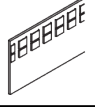
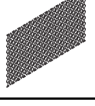
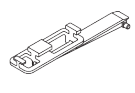
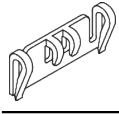
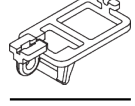
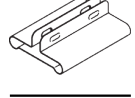

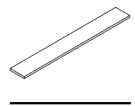
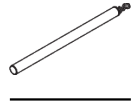
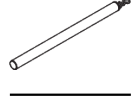
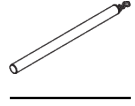
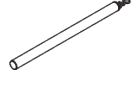
# PARTS

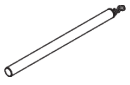
## A. STANDARD PARTS

	<b>SG 3599</b> Hook
	<b>SG 6065</b> End stop
	<b>SG 6086</b> Spring stop
	<b>SG 6243p</b> Profile
	<b>SG 10717</b> Countersunk head screw 2.2x19
	<b>SG 11300</b> 2C glider

## B. OPTIONAL PARTS

	<b>SG 2255</b> Brake
	<b>SG 2256</b> Brake
	<b>SG 3012</b> Hook
	<b>SG 3020</b> Hook
	<b>SG 3067</b> Connection bridge
	<b>SG 3571</b> Hook
	<b>SG 3582</b> Hook
	<b>SG 3598</b> Eyelet
	<b>SG 6053</b> Spring stop
	<b>SG 6057</b> Glider
	<b>SG 6064</b> End stop
	<b>SG 6082</b> Glider
	<b>SG 6094</b> Roller
	<b>SG 6098</b> Roller

	<b>SG 6240</b> Roller
	<b>SG 6283</b> Roller
	<b>SG 6349</b> Wave curtain tape
	<b>SG 6363</b> Wave top hemming tape
	<b>SG 6364</b> Wave extension
	<b>SG 6365</b> Wave hanger
	<b>SG 6366</b> Wave carrier for draw rod
	<b>SG 7002</b> Profile protector
	<b>SG 10075</b> Lead weight 50 g/m
	<b>SG 10076</b> Fabric weight
	<b>SG 10430</b> Draw rod 50 cm
	<b>SG 10431</b> Draw rod 75 cm
	<b>SG 10432</b> Draw rod 100 cm
	<b>SG 10433</b> Draw rod 125 cm



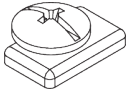
---

**SG 10434**

---

*Draw rod 150 cm*

---



---

**SG 11295**

---

*End stop*

---



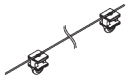
---

**SG 11301**

---

*2C glider on strip*

---



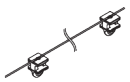
---

**SG 11302**

---

*Wave 2C glider cord 80 mm*

---



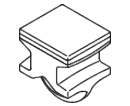
---

**SG 11303**

---

*Wave 2C glider cord 60 mm*

---



---

**SG 11305**

---

*2C glider for direct sewing*

---



