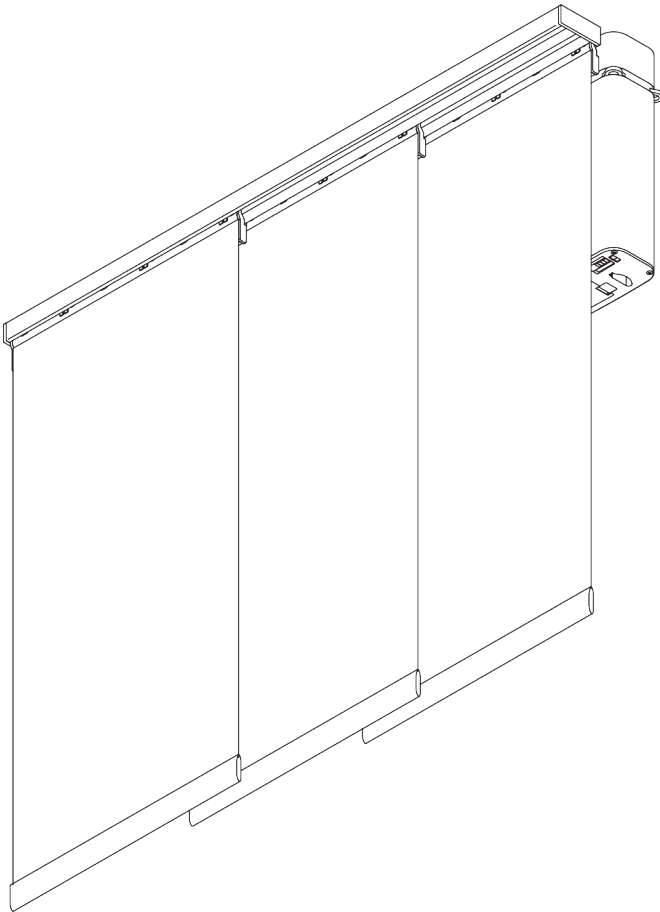
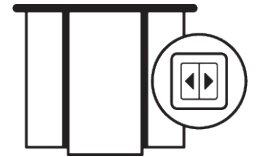


# SG 2750

---



## PRODUCT INFORMATION

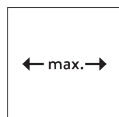
- **Operation:** motorised
- **Range:** S - L
- **Fitting:** ceiling
- **Colours:** white RAL 9016 or anodised aluminum, special colours possible
- **Fabrics:** refer to Silent Gliss fabric collection

### **Features:**

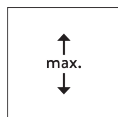
- 2-component (2C) roller technology
- Silent and smooth running
- Aluminium carriers
- Applicable with electric curtain track system SG 5100 or SG 5600

# SYSTEM SPECIFICATIONS

## A. SYSTEM DIMENSIONS



6 m



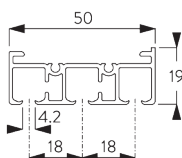
4 m



max. 2 kg per m

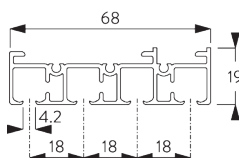
## B. PROFILE

### Profile information



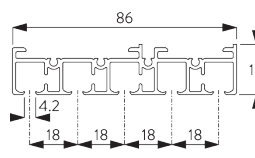
**SG 10123**

Profile 3-channel



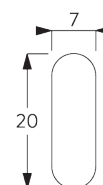
**SG 10124**

Profile 4-channel



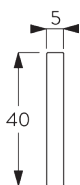
**SG 10125**

Profile 5-channel



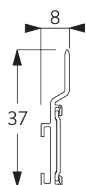
**SG 2004**

Bottom bar 20x7 mm



**SG 2005**

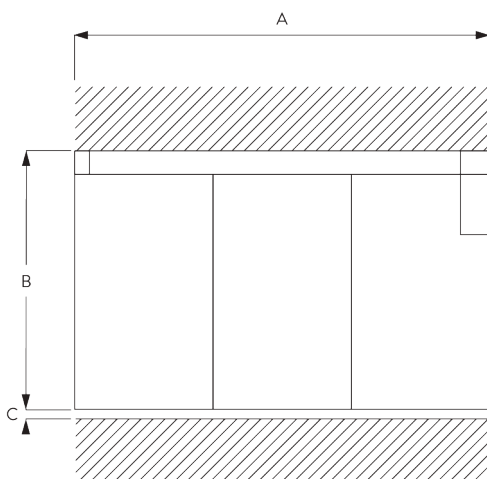
Bottom bar 40x5 mm



**SG 10230**

Carrier alu

## C. HOW TO MEASURE

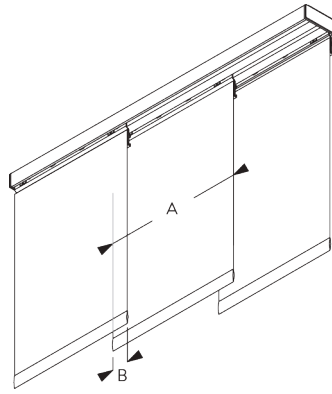


A: System width

B: System height

C: Distance between floor and fabric

## Dimensions of Panels



A: Recommended panel width: 500 - 1200

B: Overlap: min. 50

## D. SPECIFICATION

### TEXT

### EN

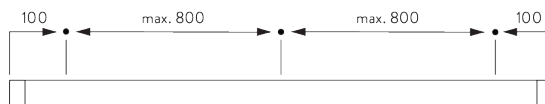
Silent Gliss SG 2750 Electrically Operated Panel Glide System. Supplied made to measure and complete comprising profiles SG 10123 / SG 10124 / SG 10125 as necessary with carriers SG 10230 with associated components and bottom weight SG 2006. Fabric panels stack right hand single / left hand single / pair / centre. Electrically operated (incorporating electric curtain track system SG 5600). Ceiling fixed using clamps SG 3003 / SG 3004. Fabric to be chosen from Silent Gliss fabric collection, Price Group 1 / 2 / 3 / 4.

# FITTING

## A. FITTING INFORMATION

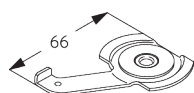
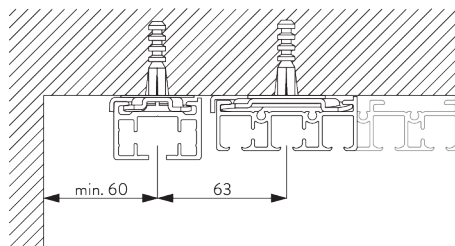
For detailed fitting information, visit the Silent Gliss website.

### Fixing points



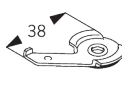
## B. CEILING FITTING

### With SG 5600



SG 3003

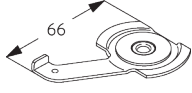
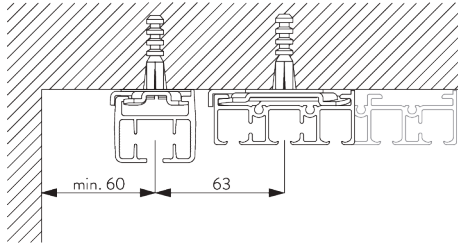
Clamp



SG 3004

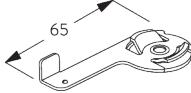
Clamp

With SG 5100



**SG 3003**

Clamp

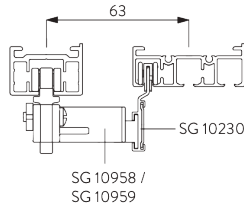
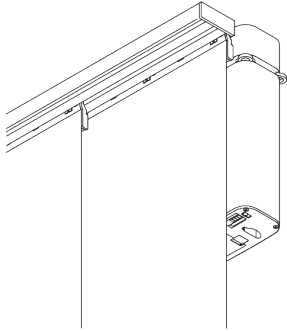


**SG 10926**

Clamp

# SYSTEM OPTIONS

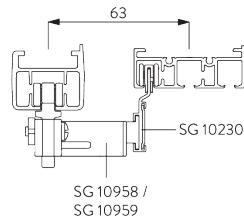
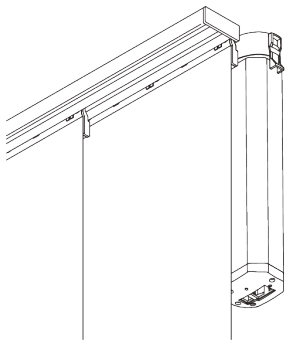
## A. MOTORISATION



### **Motorised with SG 5600**

- Single stack systems: carrier SG 10958
- Pair stack systems: carriers SG 10958 / SG 10959

For further details refer to the electric curtain track catalogue.



### **Motorised with SG 5100**

- Single stack systems: carrier SG 10958
- Pair stack systems: carriers SG 10958 / SG 10959

For further details refer to the electric curtain track catalogue.

## B. PANEL STACKING



Single stack

Note: dot = fixed panel




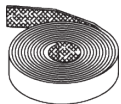


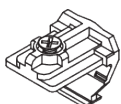
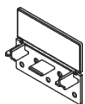
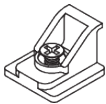
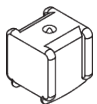

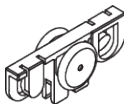



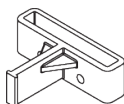
*Pair stack*

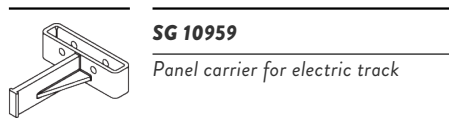
*Note: dot = fixed panel*

*Other variations are possible.*

# PARTS


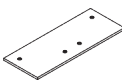


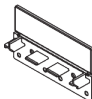
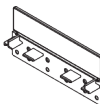
## A. STANDARD PARTS

	<b>SG 2004</b> Bottom bar 20x7 mm
	<b>SG 2539</b> Tape
	<b>SG 3003</b> Clamp
	<b>SG 10123</b> Profile 3-channel
	<b>SG 10140</b> Angle
	<b>SG 10143</b> Cover
	<b>SG 10146</b> Angle
	<b>SG 10156</b> End stop
	<b>SG 10159</b> Countersunk head screw 3.5x13
	<b>SG 10200</b> 2C roller
	<b>SG 10230</b> Carrier alu
	<b>SG 10252</b> End cover left
	<b>SG 10253</b> End cover right
	<b>SG 10958</b> Panel carrier for electric track



**SG 10959**  
Panel carrier for electric track

## B. OPTIONAL PARTS

	<b>SG 2005</b> Bottom bar 40x5 mm
	<b>SG 6024</b> Connection bridge
	<b>SG 10124</b> Profile 4-channel
	<b>SG 10125</b> Profile 5-channel
	<b>SG 10144</b> End cover
	<b>SG 10145</b> End cover



