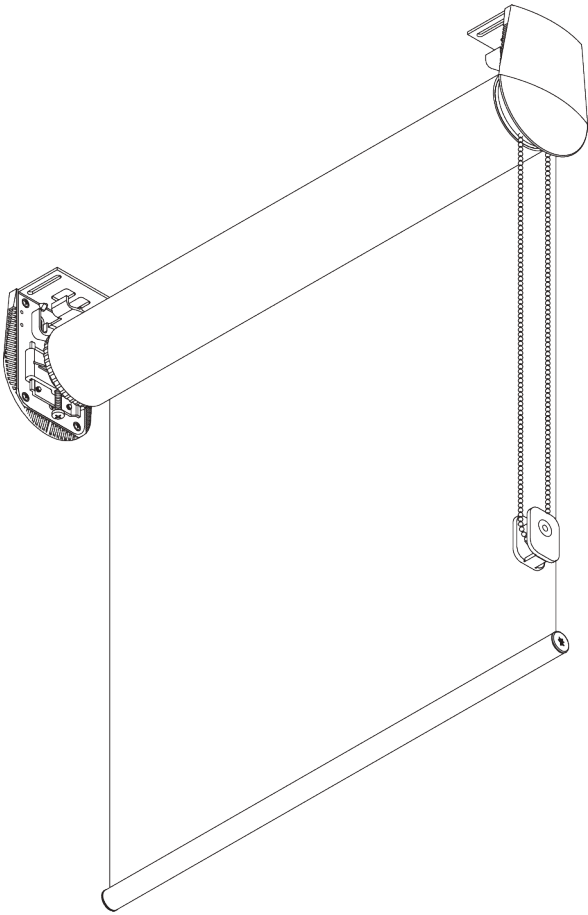


SG 4840



PRODUCT INFORMATION

- **Operation:** chain
- **Range:** L
- **Fitting:** ceiling, wall, recess
- **Colours:** white RAL 9016 or anodised aluminum, special colours possible
- **Fabrics:** refer to Silent Gliss fabric collection

Features:

- Stainless steel bead chain
- Stainless steel brackets, adjustable for vertical alignment of fabric

SYSTEM SPECIFICATIONS

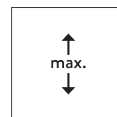
A. SYSTEM DIMENSIONS



Tube SG 4957: 5 m
Tube SG 4901: 4 m



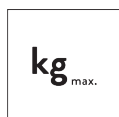
50 cm



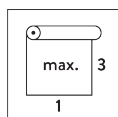
Tube SG 4957: 3.75 m
Tube SG 4901: 6 m



15 m²



Tube SG 4957: 9.5 kg
Tube SG 4901: 12.5 kg



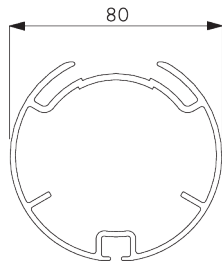
Recommended width /
height ratio
max. 1:3

Maximum surface area

		A →								
		2 m	2.5 m	3 m	3.5 m	4 m	4.5 m	5 m		
B ↓	2 m	●	●	●	●	○	○	○	 ● SG 4901 (ø 80 mm)	
	2.5 m	●	●	●	●	○	○	○		
	3 m	●	●	●	●	○	○	○		
	3.5 m	●	●	●	●	○				
	4 m	●	●	●	●				 ○ SG 4957 (ø 110 mm)	
	4.5 m	●	●	●						
	5 m	●	●	●						
	5.5 m	●	●		max. 15 m ²					
6 m	●	●								

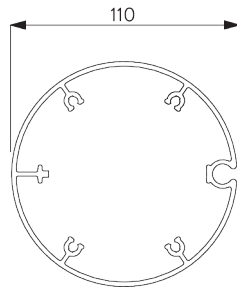
B. PROFILE

Profile information



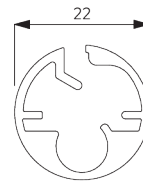
SG 4901

Tube ø 80 mm



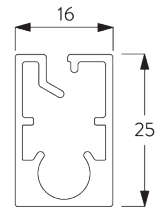
SG 4957

Tube ø 110 mm



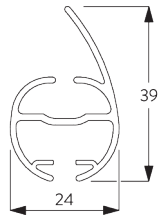
SG 10760

Bottom bar



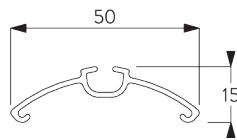
SG 10770

Bottom bar



SG 4903

Bottom bar

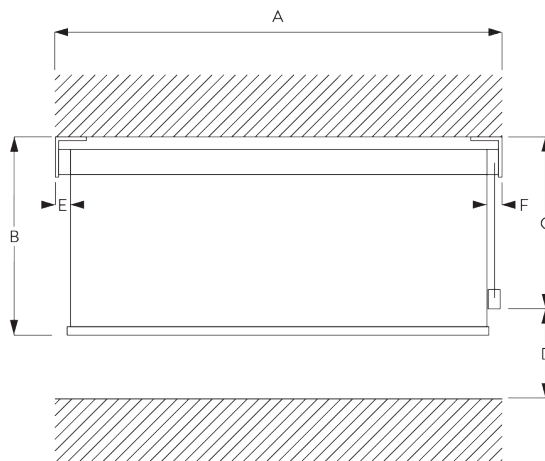


SG 4902

Profile

C. HOW TO MEASURE

incl. bracket covers
(15 mm)



A: System width

B: System height

C: Chain height

D: Safety Retainer SG 10731 min. 150 cm above floor

Tube SG 4901 (ø 80 mm):

E: Light gap: 44 mm

F: Light gap operation side: 40 mm

Tube SG 4957 (ø 110 mm):

E: Light gap: 42 mm

F: Light gap operation side: 42 mm

Note:

All measurements include 15 mm for bracket cover per side!

D. SPECIFICATION

TEXT

EN

Silent Gliss SG 4840 Chain Operated Roller Blind System. Roller blind system for heavy and large size blind applications up to 5m wide. Supplied made to measure and complete comprising anodised aluminium barrel SG 4901 (80mm tube) / SG 4957 (110mm tube) and stainless steel bracket combination set SG 4949. Fix to wall / ceiling / inside recess. Incorporating Silent Gliss patented Quick Twist SG 4902 for easy on-site adjustment of the fabric roll up (80mm tube only). Assembled with powder coated white finish aluminium bottom weight bar SG 4903. Compliant to Child Safety legislation EN 13120. Fabric to be chosen from the Silent Gliss fabric range, Price Group 1-4.

SV

Silent Gliss SG 4840 kedjemanövrerat rullgardinsystem. Rullgardinsystem för installationer upp till 5 m bredd. Levereras komplett i specificerat mått innefattande anodiserat rör SG 4901, 80 mm / SG 4957, 110 mm. Väggtak och nischmontering med fästet set SG 4949. Inkl. Silent Gliss patenterad funktion Quick Twist SG 4902 för enkel justering på av upprulling på 80 mm tub. Sidewire som tillbehör. Monterad pulverlackerad tyngdprofil i aluminium i finish vitt/alu SG 4903. Uppfyller barnsäkerhetsnormen EN 13120. Textil från Silent Gliss textilprogram i prisgrupp 1-4.

NO

Silent Gliss SG 4840 Kjedefbetjent rullegardinsystem. Rullegardinsystem for maks. bredde på 5 meter. Leveres komplett på spesialmål med anodisert rør integrert, SG 4901, 80mm/ SG4957, 110mm. Tak-,vegg- og nisjemontering med festesett 4949. Inkl. Silent Gliss patenterte funksjon Quick Twist SG 4902 for enklere justering av opprulling av tekstilet på stedet (kun 80 mm rør). Sidewire er tilbehør. Montert tyngdeprofil i pulverlakkert aluminium i hvit/ eller alu finish SG4903. Oppfyller barnesikkerhetsnormen EN13120. Tekstil fra Silent Gliss kolleksjon i prisgruppe 1-4.

DA

Silent Gliss SG 4840 gardinskinnesystem med kædestyring. Rullegardinsystem til tunge og store installationer med op til 5 m bredde. Leveres i ønsket længde og samlet, bestående af anodiseret aluminiumrør SG 4901 (80 mm rør) / SG 4957 (110 mm rør) og beslag af rustfrit stål, kombinationssæt SG 4949. Fastgjort til væg / loft / indfældet. Bruger det Silent Gliss patenterede Quick Twist SG 4902, så stofrullen nemt kan justeres på stedet (kun for 80 mm rør). Monteret med hvid pulverlakeret tyngdeprofil af aluminium SG 4903. Overholder lovgivning om børnesikkerhed efter EN 13120. Stoffet vælges fra Silent Gliss stofprogrammet, prisgruppe 1-4.

FITTING

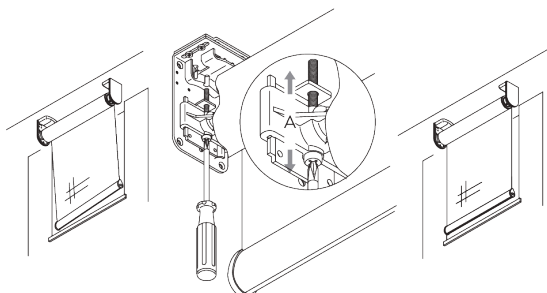
A. FITTING INFORMATION

Fixing points



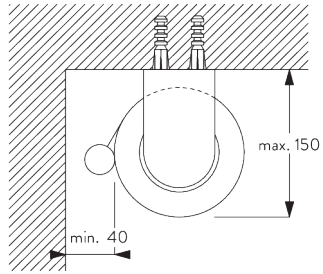
*30 mm without cover
*43 mm with cover

Adjustable brackets (for vertical adjustments)

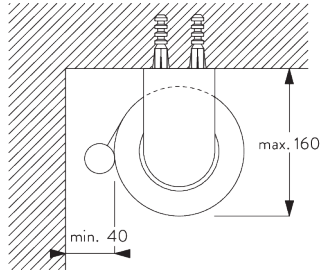


Vertical adjustment of fabric to the window frame.

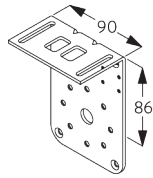
B. CEILING FITTING



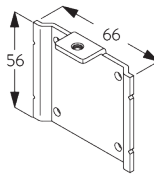
Tube SG 4901 (ø 80 mm)



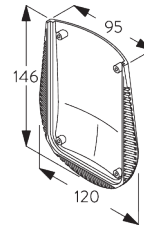
Tube SG 4957 (ø 110 mm)



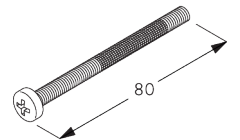
SG 4904
Bracket (set SG 4949)



SG 4906
Plate (set SG 4949)

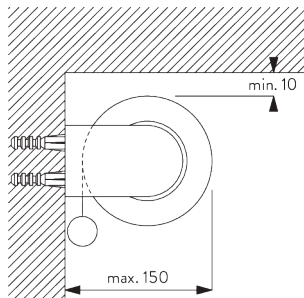


SG 4956
Bracket cover

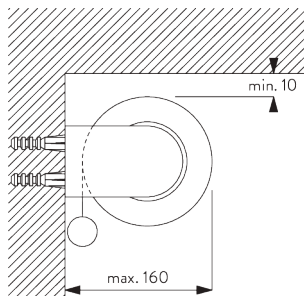


SG 4966
Special screw (set SG 4949)

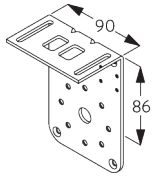
C. WALL FITTING



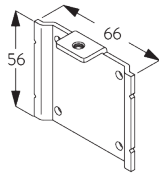
Tube SG 4901 (ø 80 mm)



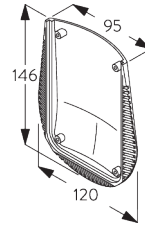
Tube SG 4957 (ø 110 mm)



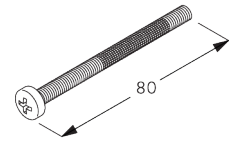
SG 4904
Bracket (set SG 4949)



SG 4906
Plate (set SG 4949)

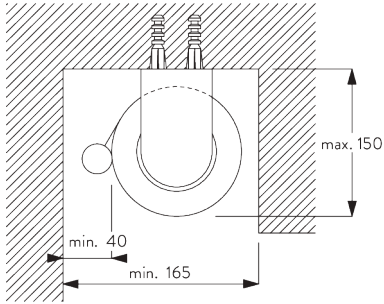


SG 4956
Bracket cover

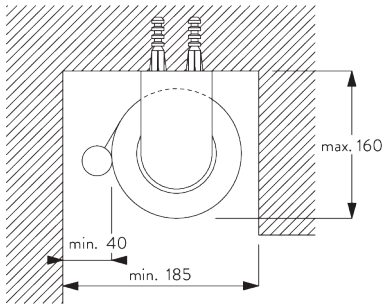


SG 4966
Special screw (set SG 4949)

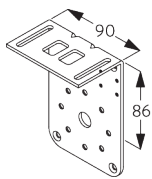
D. RECESS FITTING



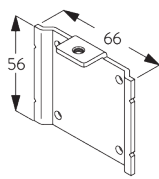
Tube SG 4901 (ø 80 mm)



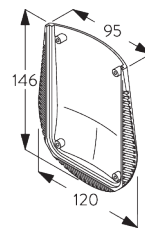
Tube SG 4957 (ø 110 mm)



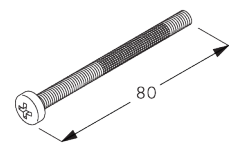
SG 4904
Bracket (set SG 4949)



SG 4906
Plate (set SG 4949)

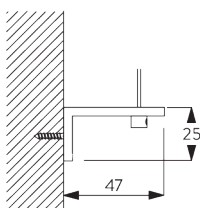


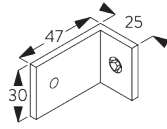
SG 4956
Bracket cover



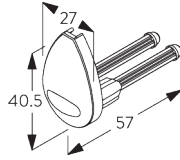
SG 4966
Special screw (set SG 4949)

E. FITTING WITH SIDE GUIDE OPTION

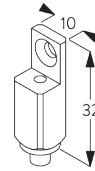




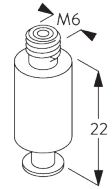
SG 3036
Bracket 47 mm



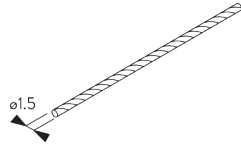
SG 4944
Side guide end cover



SG 4946
Side guide wire rope fastener



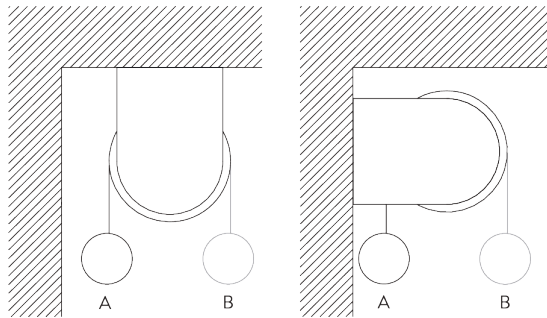
SG 4947
Side guide wire rope fastener



SG 4948
Side guide wire ϕ 1.5 mm

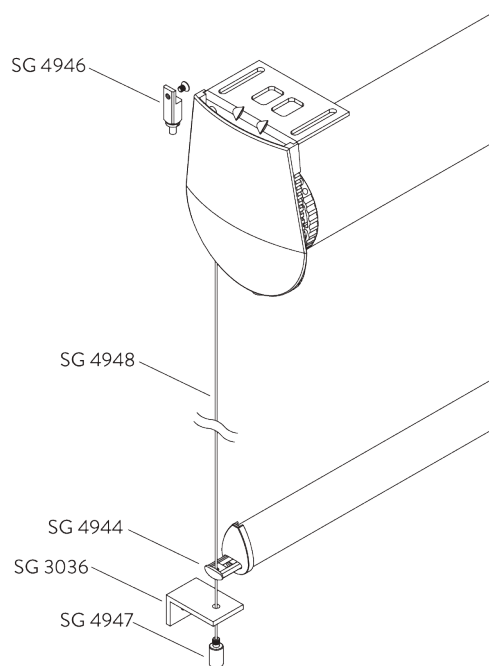
SYSTEM OPTIONS

A. FABRIC ROLL-OFF



A: Fabric roll-off window side (standard)
B: Fabric roll-off room side (option)

B. SIDE GUIDES



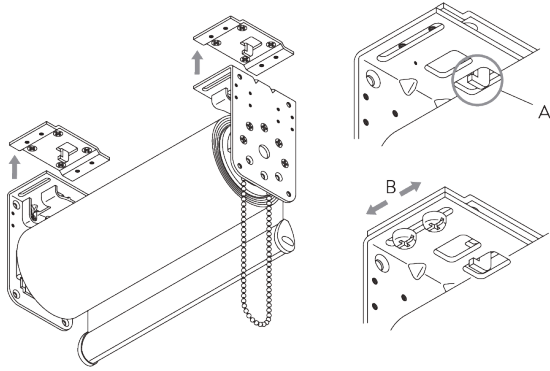
Additional parts:

- 2x SG 3036 Bracket 47 mm
- 2x SG 4944 Side guide end cover
- 2x SG 4946 Side guide wire rope fastener
- 2x SG 4947 Side guide wire rope fastener
- 2x SG 4948 Side guide wire ϕ 1.5 mm

Note:

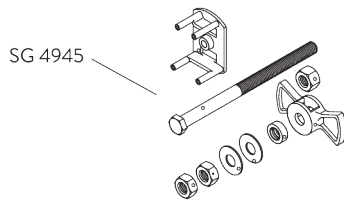
- Light gaps increase when side-guide option is used
- Up to 15° from vertical

**C. HOOK-IN
INSTALLATION
PLATES**



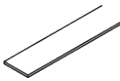
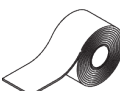



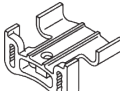

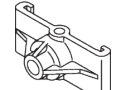
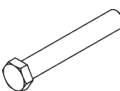
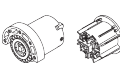
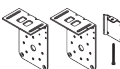

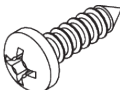
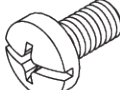
*A: Hook-in plates SG 4972 take the weight of the blind
B: Brackets sideways adjustable by up to 18 mm*

**D. ADJUSTABLE END
STOP**

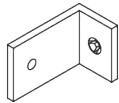

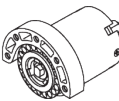
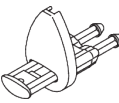

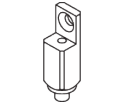




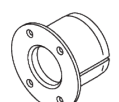
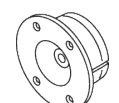
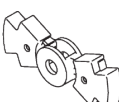
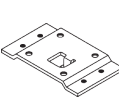


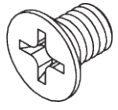
PARTS

A. STANDARD PARTS

	SG 4223 PVC strip 14 mm
	SG 4226 Double tape 30 mm
	SG 4845 Bead chain metal ø 4.5 mm
	SG 4901 Tube ø 80 mm
	SG 4902 Profile
	SG 4908 End stop
	SG 4914 Tube adapter
	SG 4915 Support
	SG 4939 Shaft
	SG 4941 Chain drive set
	SG 4949 Bracket set
	SG 4956 Bracket cover
	SG 10503 Pan head screw 3.5x13
	SG 10505 Pan head screw Freedrive M4x8

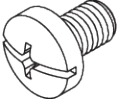
B. OPTIONAL PARTS

	SG 3036 Bracket 47 mm
	SG 4903 Bottom bar
	SG 4909 Chain drive
	SG 4944 Side guide end cover
	SG 4945 End stop set
	SG 4946 Side guide wire rope fastener
	SG 4947 Side guide wire rope fastener
	SG 4948 Side guide wire ø 1.5 mm
	SG 4951 Bottom weight ø 8 mm
	SG 4957 Tube ø 110 mm
	SG 4958 Tube adapter
	SG 4961 Tube adapter
	SG 4965 End stop flange
	SG 4972 Installation plate



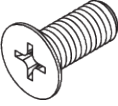
SG 10502

Countersunk head screw M4x6



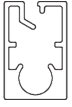
SG 10504

Pan head screw Freedrive M5x8



SG 10508

Countersunk head screw M5x12



SG 10770

Bottom bar



SG 10771

End cover



SG 11178

End cover
