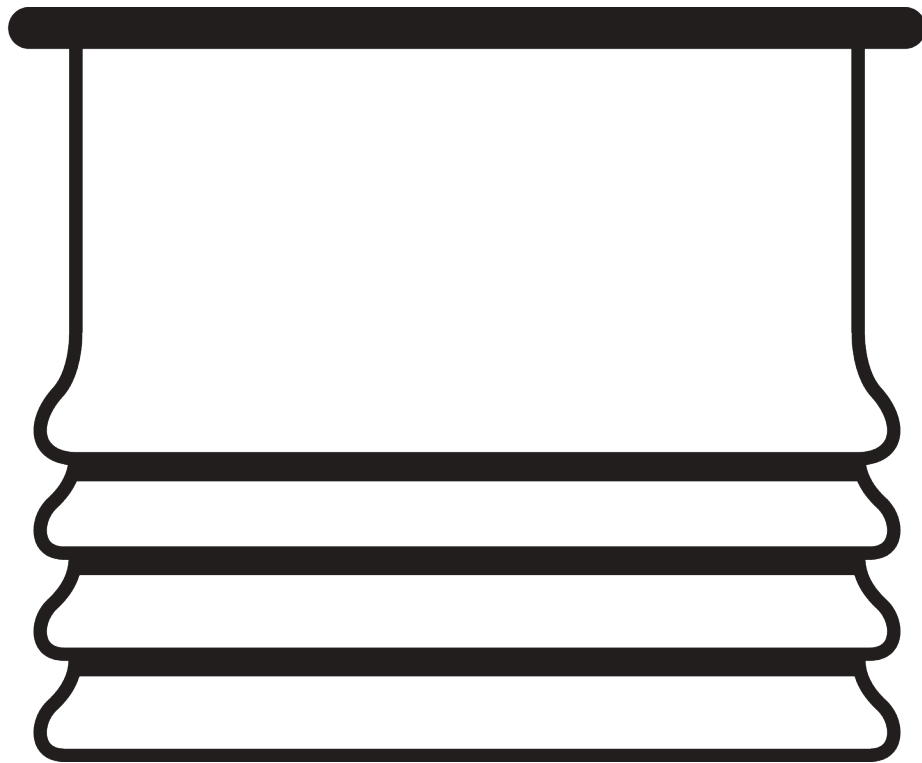


ROMAN BLIND SYSTEMS



GENERAL NOTES

Dimensions

- Measurements are in mm except where indicated.
- Max. kg relates to fabric incl. accessories (bottom bars, cross rods, etc.).
- Stack size is typically 15-20% of system height.







Fitting

- Installation by qualified fitter only.
- Number of brackets and fitting positions / fixing points vary depending on fitting surface, system weight, fabric make-up, screw / fixing type and obstacles.
- Qualified fitter must use appropriate screws / fixings for each situation.
- Electrical installations must be carried out according to Silent Gliss wiring diagrams and conform to local regulations.
- Check space for cables and plugs!

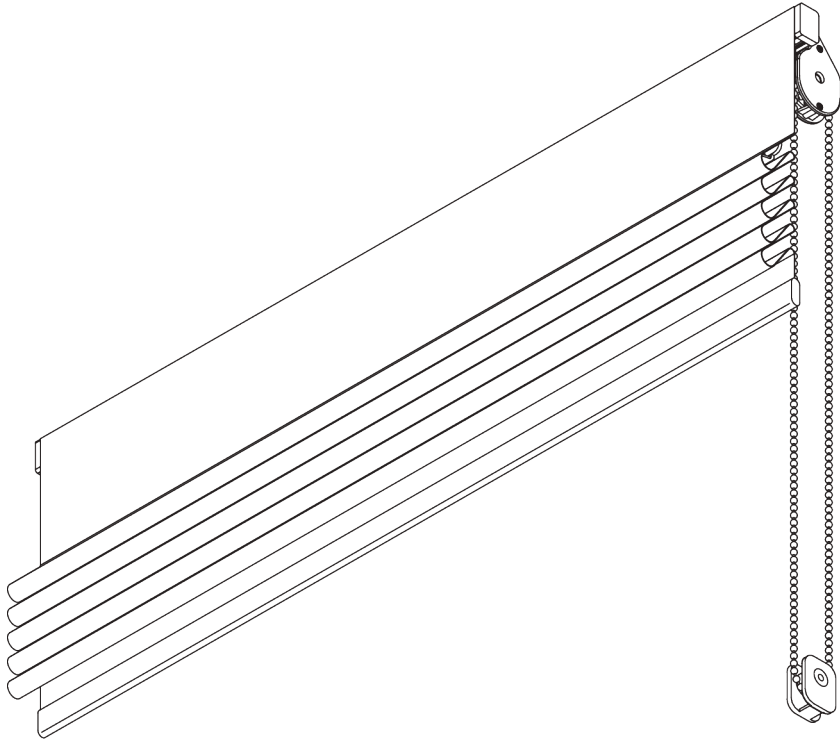
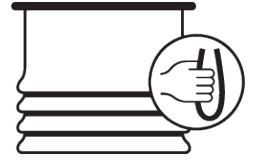
Child Safety

- All relevant Silent Gliss systems correspond to child safety EN 13120.
- All parties involved must comply with EN 13120.

APPLICATION CHART

<u>PAGE</u>	<u>SYSTEM</u>	<u>OPERATION</u>	<u>DIMENSION</u>	← max. →	↑ max. ↓	kg _{max.}
5	SG 2120		L	4 m	6 m	8 kg
13	SG 2210		S - M	3 m	3 m	2 kg
21	SG 2305		S - M	3 m	3.4 m	4 kg
29	SG 2320		S - M	3 m	3 m	2.5 kg
39	SG 2345		S - M	6 m	6 m	2.5 kg
49	SG 2350		S - L	6 m	6 m	15 kg

SG 2120



PRODUCT INFORMATION

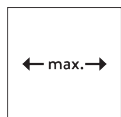
- **Operation:** chain
- **Range:** L
- **Fitting:** ceiling, wall
- **Colours:** white RAL 9016, anodised aluminum
- **Fabrics:** refer to Silent Gliss fabric collection

Features:

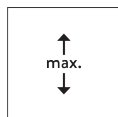
- 5-to-1 gear drive
- Bead chain

SYSTEM SPECIFICATIONS

A. SYSTEM DIMENSIONS



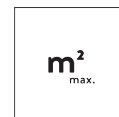
4 m



6 m



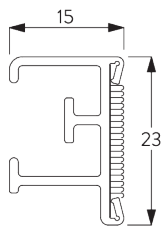
8 kg



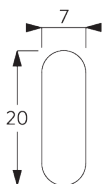
24 m²

B. PROFILE

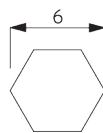
Profile Information



SG 2211
Velcro profile



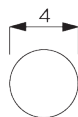
SG 2004
Bottom bar 20x7 mm



SG 2111
Shaft

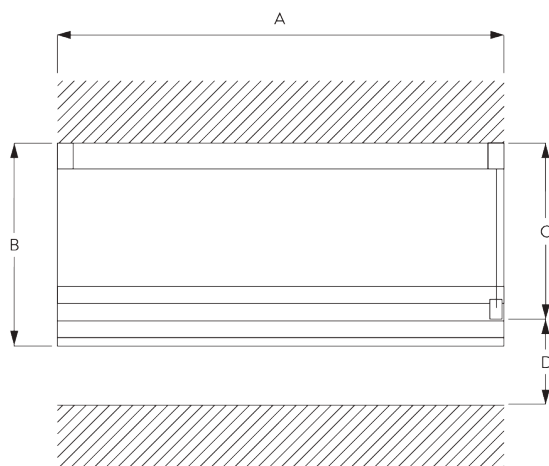


SG 2135
Rod steel ø 3 mm



SG 2137
Rod fiberglass ø 4 mm

C. HOW TO MEASURE



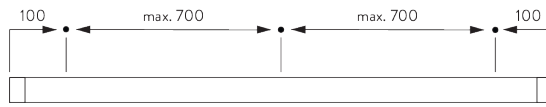
- A: System width
- B: System height
- C: Chain height
- D: Safety retainer SG 10731 min. 150 cm above floor

FITTING

A. FITTING INFORMATION

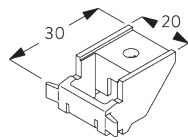
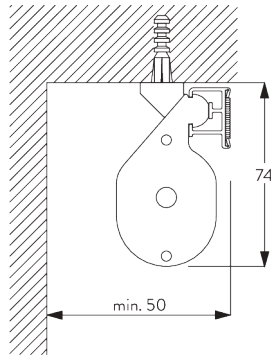
For detailed fitting information, visit the [Silent Gliss website](#).

Fixing points



B. CEILING FITTING

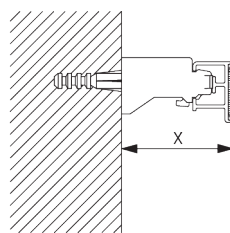
Bracket SG 3603



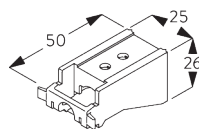
SG 3603
Bracket

C. WALL FITTING

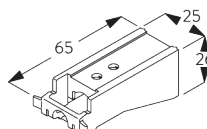
Bracket SG 3655, SG 3660



Bracket	X mm
SG 3655	58
SG 3660	73

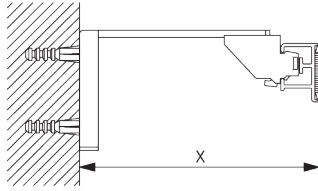


SG 3655
Bracket 50 mm

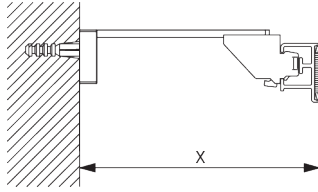


SG 3660
Bracket 65 mm

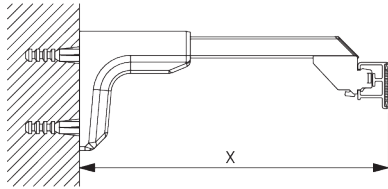
Smart Fix



Smart Fix SG 11200 - SG 11205 and bracket SG 3603:
Screw SG 10492 (M4x8) needed.

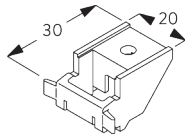


Square Smart Fix SG 11210 - SG 11215 and bracket SG 3603:
Screw SG 10492 (M4x8) needed.



Universal Smart Fix 11154-11156 and bracket SG 3603:
Screw SG 10277 (M4x12) needed.

Smart Fix	X mm
SG 11200 / SG 11210	80
SG 11201 / SG 11211	100
SG 11202 / SG 11212	120
SG 11203 / SG 11213	140
SG 11204 / SG 11214	170
SG 11205 / SG 11215	220
SG 11154	132-160
SG 11155	162-190
SG 11156	212-240



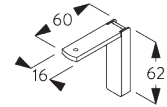
SG 3603
Bracket



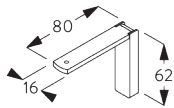
SG 10277
Pan head screw M4x12



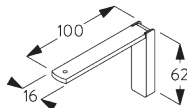
SG 10492
Pan head screw M4x8



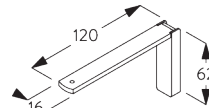
SG 11200
Smart Fix 60 mm



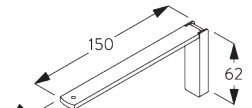
SG 11201
Smart Fix 80 mm



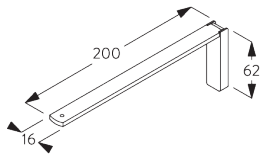
SG 11202
Smart Fix 100 mm



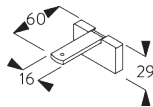
SG 11203
Smart Fix 120 mm



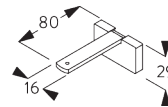
SG 11204
Smart Fix 150 mm



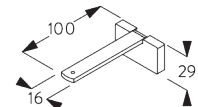
SG 11205
Smart Fix 200 mm



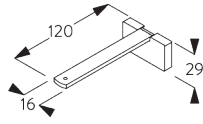
SG 11210
Square Smart Fix 60 mm



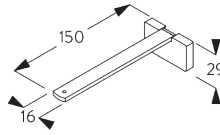
SG 11211
Square Smart Fix 80 mm



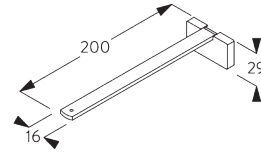
SG 11212
Square Smart Fix 100 mm



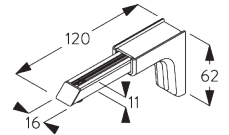
SG 11213
Square Smart Fix 120 mm



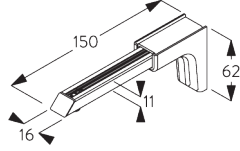
SG 11214
Square Smart Fix 150 mm



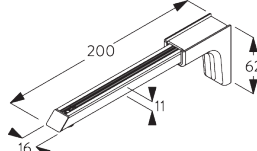
SG 11215
Square Smart Fix 200 mm



SG 11154
Universal Smart Fix 120 mm



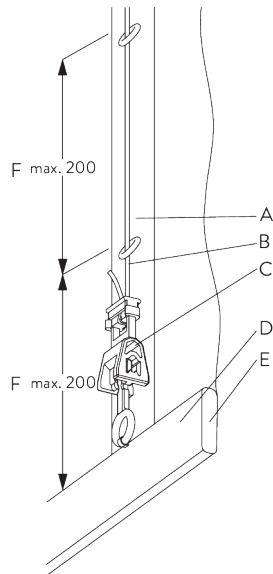
SG 11155
Universal Smart Fix 150 mm



SG 11156
Universal Smart Fix 200 mm

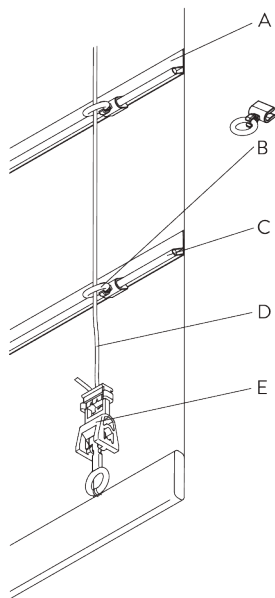
SYSTEM OPTIONS

A. FABRIC MAKE-UP



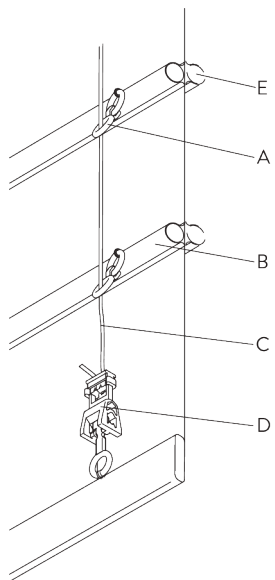
Type A (standard)

- A: Tape SG 2164 / SG 3074
- B: Tape SG 2163
- C: Child safety hook set SG 3164
- D: Hollow hem
- E: Bottom bar SG 2004
- F: Child safety: max. distance 200 mm



Type B (rod)

- A: Hollow hem
- B: Child safety eyelet hard fold SG 3069
- C: Rod SG 2135 / SG 2137
- D: Tape SG 2163
- E: Child safety hook set SG 3164







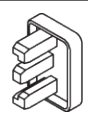
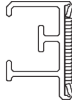
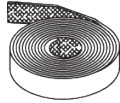
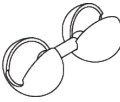
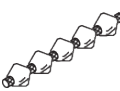
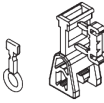
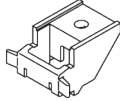
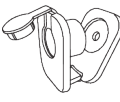


Type C (rod)

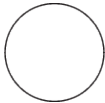
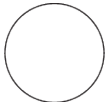

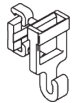

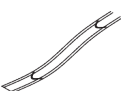
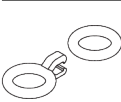

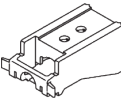
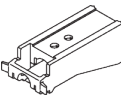

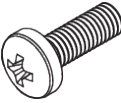
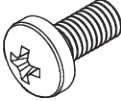
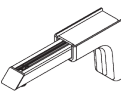
- A: Child safety eyelet set SG 3161
- B: Rod SG 2135 / SG 2137
- C: Tape SG 2163
- D: Child safety hook set SG 3164
- E: Option: Rod SG 2135 / SG 2137 can be installed to room side

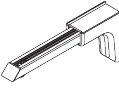
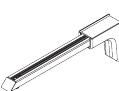
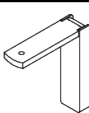
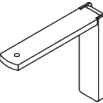
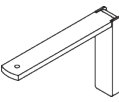
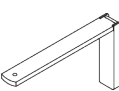
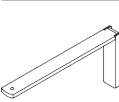
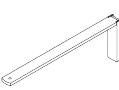
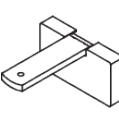
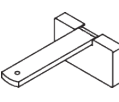
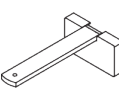
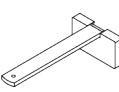
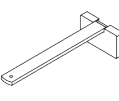
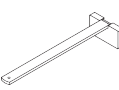
PARTS

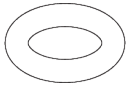
A. STANDARD PARTS

	SG 2004 Bottom bar 20x7 mm
	SG 2049 Chain drive
	SG 2059 Safety clip
	SG 2081 Take-up spool
	SG 2111 Shaft
	SG 2163 Tape
	SG 2179 End cover
	SG 2211 Velcro profile
	SG 2539 Tape
	SG 2865 Bead chain connector ø 4.6 mm
	SG 2872 Bead chain plastic ø 4.6 mm
	SG 3164 Child safety hook set
	SG 3603 Bracket
	SG 10731 Child safety retainer set

B. OPTIONAL PARTS

	SG 2135 Rod steel ø 3 mm
	SG 2137 Rod fiberglass ø 4 mm
	SG 2164 Ring tape
	SG 3055 Hook
	SG 3069 Child safety eyelet
	SG 3074 Loop tape
	SG 3161 Child safety eyelet set
	SG 3340 Cord/chain weight
	SG 3655 Bracket 50 mm
	SG 3660 Bracket 65 mm
	SG 4845 Bead chain metal ø 4.5 mm
	SG 10277 Pan head screw M4x12
	SG 10492 Pan head screw M4x8
	SG 11154 Universal Smart Fix 120 mm

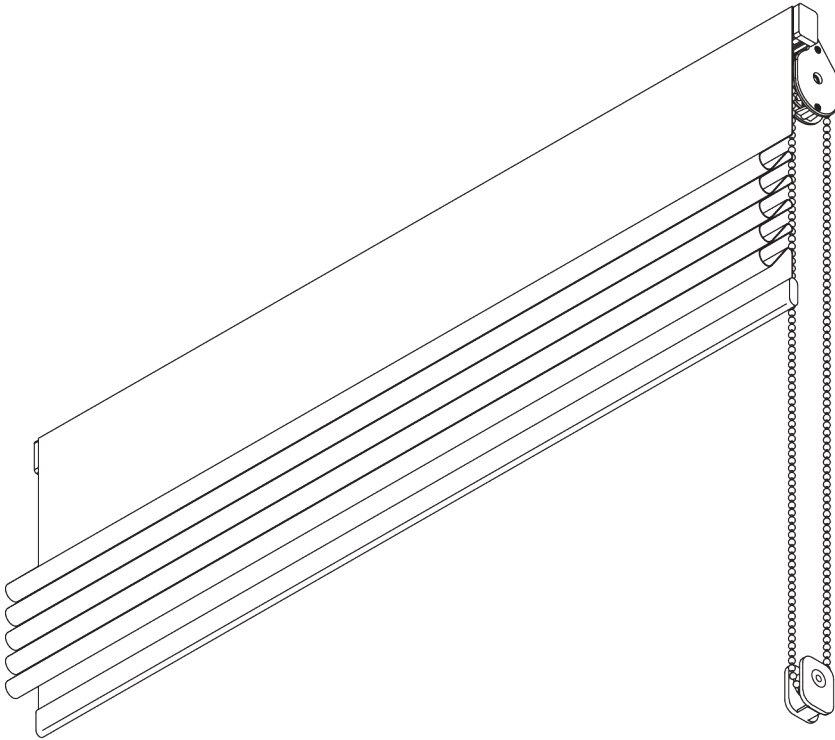
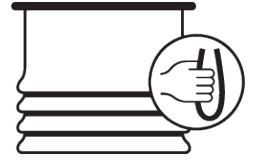
	SG 11155 Universal Smart Fix 150 mm
	SG 11156 Universal Smart Fix 200 mm
	SG 11200 Smart Fix 60 mm
	SG 11201 Smart Fix 80 mm
	SG 11202 Smart Fix 100 mm
	SG 11203 Smart Fix 120 mm
	SG 11204 Smart Fix 150 mm
	SG 11205 Smart Fix 200 mm
	SG 11210 Square Smart Fix 60 mm
	SG 11211 Square Smart Fix 80 mm
	SG 11212 Square Smart Fix 100 mm
	SG 11213 Square Smart Fix 120 mm
	SG 11214 Square Smart Fix 150 mm
	SG 11215 Square Smart Fix 200 mm



SG 11482

Ring

SG 2210



PRODUCT INFORMATION

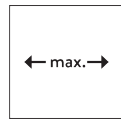
- **Operation:** chain
- **Range:** S - M
- **Fitting:** ceiling, wall
- **Colours:** white RAL 9016
- **Fabrics:** refer to Silent Gliss fabric collection

Features:

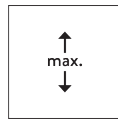
- 1-to-1 gear drive
- Bead chain
- Easy washing / changing of the fabric

SYSTEM SPECIFICATIONS

A. SYSTEM DIMENSIONS



3 m



3 m



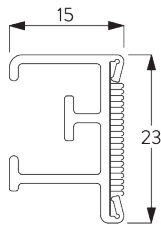
2 kg



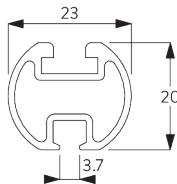
9 m²

B. PROFILE

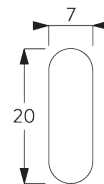
Profile information



SG 2211
Velcro profile

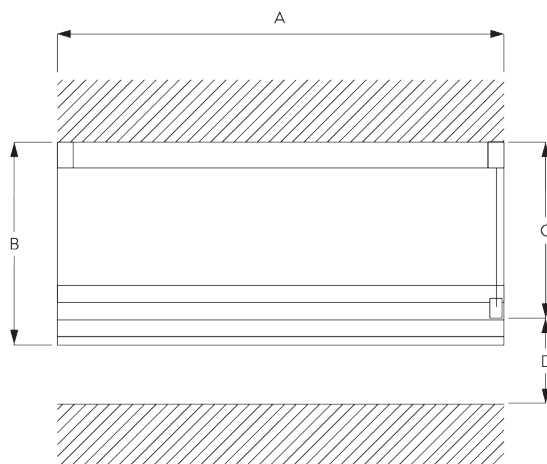


SG 1003p
Profile



SG 2004
Bottom bar 20x7 mm

C. HOW TO MEASURE

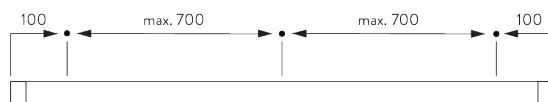


- A: System width
- B: System height
- C: Chain height
- D: Safety retainer SG 10731 min. 150 cm above floor

FITTING

A. FITTING INFORMATION

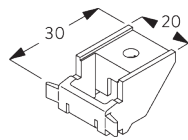
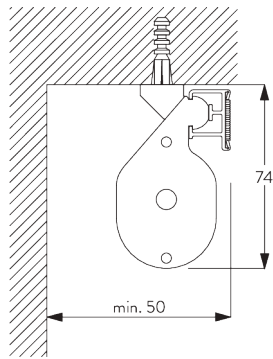
Fixing points



For detailed fitting information, visit the [Silent Gliss website](#).

B. CEILING FITTING

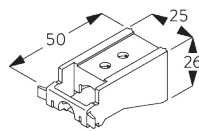
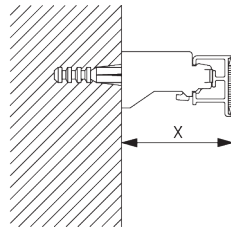
Bracket SG 3603



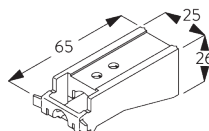
SG 3603
Bracket

C. WALL FITTING

Bracket SG 3655, SG 3660



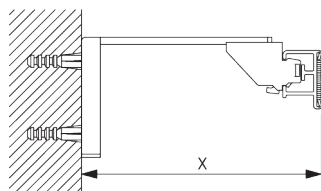
SG 3655
Bracket 50 mm



SG 3660
Bracket 65 mm

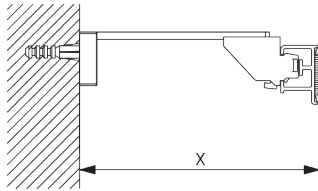
Bracket	X mm
SG 3655	58
SG 3660	73

Smart Fix



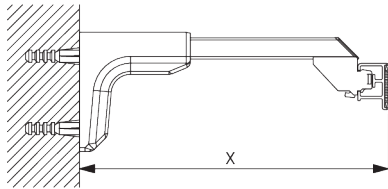
Smart Fix SG 11200 - SG 11205 and bracket SG 3603:
Screw SG 10492 (M4x8) needed.

Smart Fix	X mm
SG 11200 / SG 11210	80
SG 11201 / SG 11211	100
SG 11202 / SG 11212	120
SG 11203 / SG 11213	140
SG 11204 / SG 11214	170
SG 11205 / SG 11215	220
SG 11154	132-160
SG 11155	162-190
SG 11156	212-240



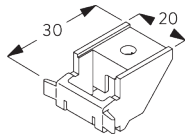
Square Smart Fix SG 11210 - SG 11215 and bracket SG 3603:

Screw SG 10492 (M4x8) needed.



Universal Smart Fix SG 11154 - SG 11156 and bracket SG 3603:

Screw SG 10277 (M4x12) needed.



SG 3603

Bracket



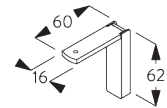
SG 10277

Pan head screw M4x12



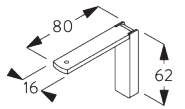
SG 10492

Pan head screw M4x8



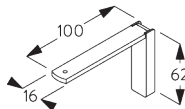
SG 11200

Smart Fix 60 mm



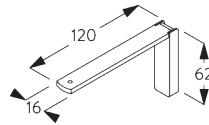
SG 11201

Smart Fix 80 mm



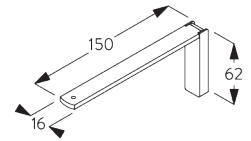
SG 11202

Smart Fix 100 mm



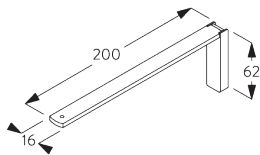
SG 11203

Smart Fix 120 mm



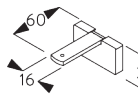
SG 11204

Smart Fix 150 mm



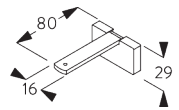
SG 11205

Smart Fix 200 mm



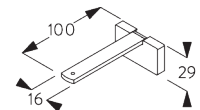
SG 11210

Square Smart Fix 60 mm



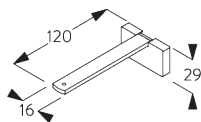
SG 11211

Square Smart Fix 80 mm



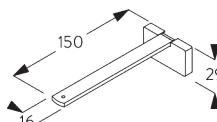
SG 11212

Square Smart Fix 100 mm



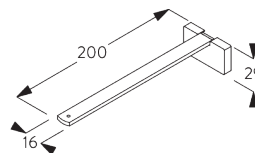
SG 11213

Square Smart Fix 120 mm



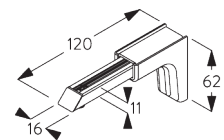
SG 11214

Square Smart Fix 150 mm



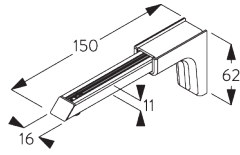
SG 11215

Square Smart Fix 200 mm

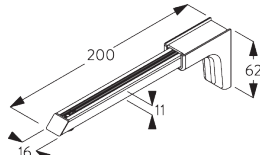


SG 11154

Universal Smart Fix 120 mm



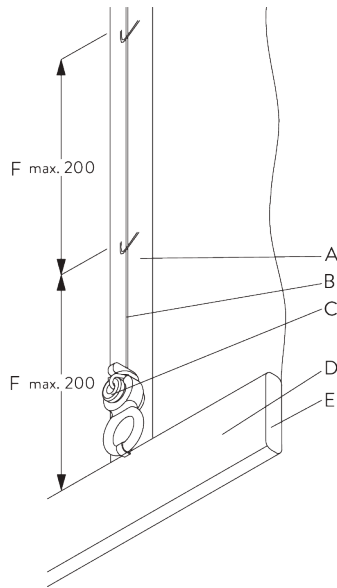
SG 11155
Universal Smart Fix 150 mm



SG 11156
Universal Smart Fix 200 mm

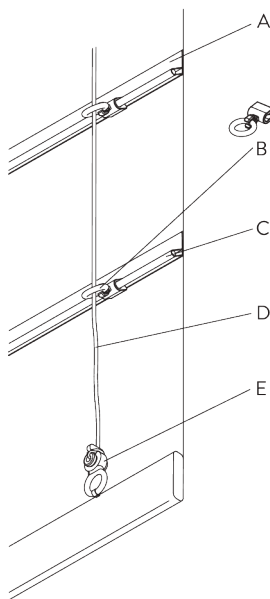
SYSTEM OPTIONS

A. FABRIC MAKE-UP



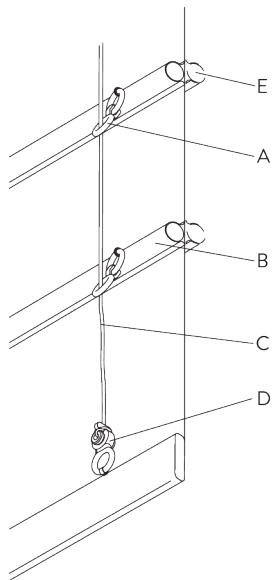
Type A (standard)

- A: Loop tape SG 3074
- B: Cord SG 2216
- C: Child safety fastener set SG 3167
- D: Hollow hem
- E: Bottom bar SG 2004
- F: Child safety: max. distance 200 mm!



Type B (rod)

- A: Hollow hem
- B: Child safety eyelet hard fold SG 3069
- C: Rod SG 2135
- D: Tape
- E: Child safety hook set SG 3167



Type C (rod)

A: Child safety eyelet set SG 3161

B: Rod SG 2135 / SG 2137







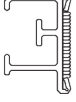
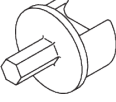
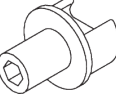




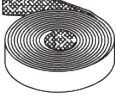
C: Tape

D: Child safety hook set SG 3167

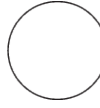
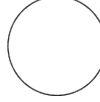
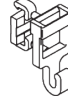

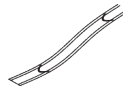
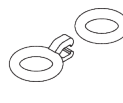

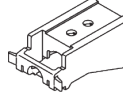
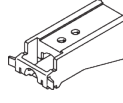
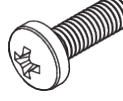
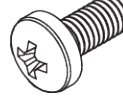
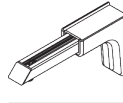
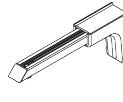
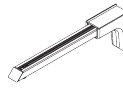
E: Option: rod SG 2135 / SG 2137 can be installed to room side

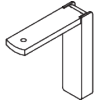
PARTS

A. STANDARD PARTS

	SG 1003p Profile
	SG 2004 Bottom bar 20x7 mm
	SG 2049 Chain drive
	SG 2101 Eyelet
	SG 2179 End cover
	SG 2201 Eyelet
	SG 2211 Velcro profile
	SG 2212 Tube adapter
	SG 2213 Tube adapter
	SG 2215 Eyelet
	SG 2216 Cord \varnothing 0.85 mm
	SG 2219 Eyelet
	SG 2227 Pin
	SG 2539 Tape

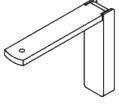
B. OPTIONAL PARTS

	SG 2135 Rod steel \varnothing 3 mm
	SG 2137 Rod fiberglass \varnothing 4 mm
	SG 3055 Hook
	SG 3069 Child safety eyelet
	SG 3074 Loop tape
	SG 3161 Child safety eyelet set
	SG 3340 Cord/chain weight
	SG 3655 Bracket 50 mm
	SG 3660 Bracket 65 mm
	SG 10277 Pan head screw M4x12
	SG 10492 Pan head screw M4x8
	SG 11154 Universal Smart Fix 120 mm
	SG 11155 Universal Smart Fix 150 mm
	SG 11156 Universal Smart Fix 200 mm



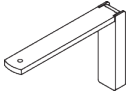
SG 11200

Smart Fix 60 mm



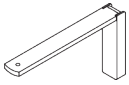
SG 11201

Smart Fix 80 mm



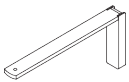
SG 11202

Smart Fix 100 mm



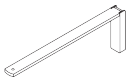
SG 11203

Smart Fix 120 mm



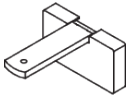
SG 11204

Smart Fix 150 mm



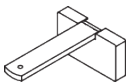
SG 11205

Smart Fix 200 mm



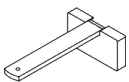
SG 11210

Square Smart Fix 60 mm



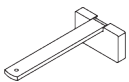
SG 11211

Square Smart Fix 80 mm



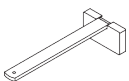
SG 11212

Square Smart Fix 100 mm



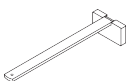
SG 11213

Square Smart Fix 120 mm



SG 11214

Square Smart Fix 150 mm



SG 11215

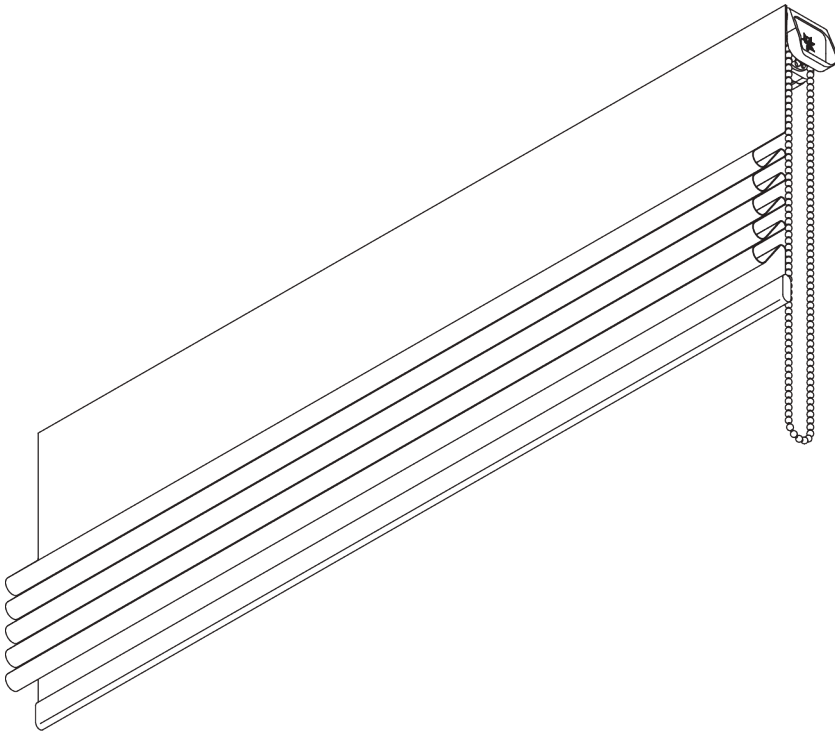
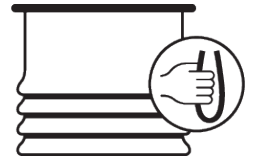
Square Smart Fix 200 mm



SG 11482

Ring

SG 2305



PRODUCT INFORMATION

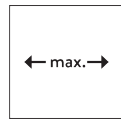
- **Operation:** chain
- **Range:** S - M
- **Fitting:** ceiling, wall
- **Colours:** white RAL 9016, black RAL 9005
- **Fabrics:** refer to Silent Gliss fabric collection

Features:

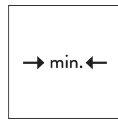
- 4-to-1 gear drive
- Stainless steel bead chain
- Enclosed headrail
- Integrated magnetic child safety end-set

SYSTEM SPECIFICATIONS

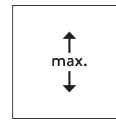
A. SYSTEM DIMENSIONS



3 m



60 cm



3.4 m



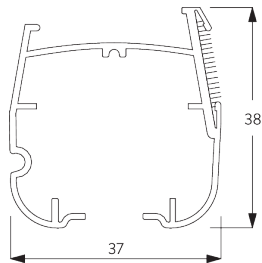
10 m²



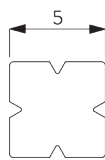
4 kg

B. PROFILE

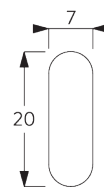
Profile information



SG 2301
Velcro profile



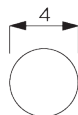
SG 2309
Shaft



SG 2004
Bottom bar 20x7 mm



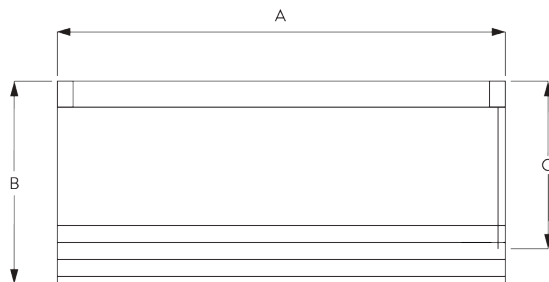
SG 2135
Rod steel ø 3 mm



SG 2137
Rod fiberglass ø 4 mm

C. HOW TO MEASURE

Breakaway child safety chain drive SG 2307



A: System width
B: System height
C: Chain height

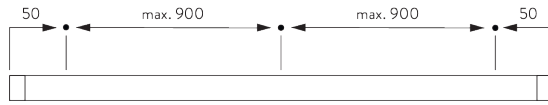


FITTING

A. FITTING INFORMATION

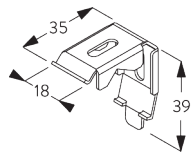
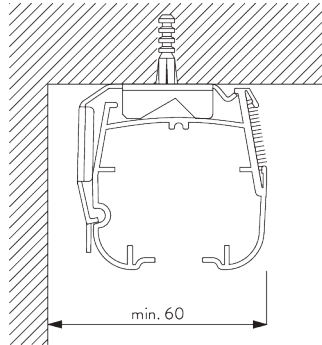
For detailed fitting information, visit the Silent Gliss website.

Fixing points



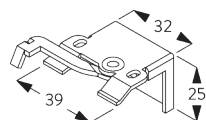
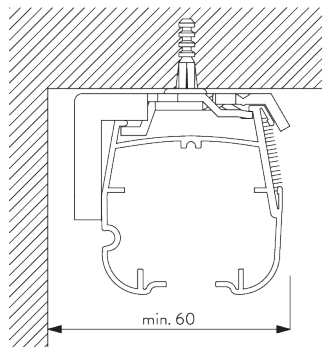
B. CEILING FITTING

Bracket SG 2302



SG 2302
Bracket

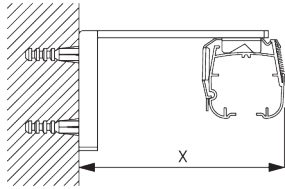
Bracket SG 2346



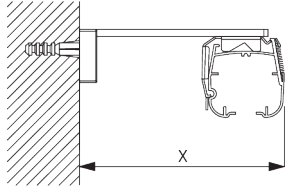
SG 2346
Bracket

C. WALL FITTING

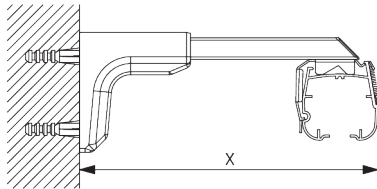
Smart Fix



Smart Fix SG 11200 - SG 11205 and bracket SG 2302:
Screw SG 10395 (M4x6) needed.

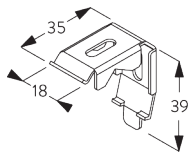


Square Smart Fix SG 11210 - SG 11215 and bracket SG 2302:
Screw SG 10395 (M4x6) needed.



Universal Smart Fix SG 11154 - SG 11156 and bracket SG 2302:
Screw SG 10492 (M4x8) needed.

Smart Fix	X mm
SG 11200 / SG 11210	71-79
SG 11201 / SG 11211	91-99
SG 11202 / SG 11212	111-119
SG 11203 / SG 11213	131-139
SG 11204 / SG 11214	161-169
SG 11205 / SG 11215	211-219
SG 11154	126-152
SG 11155	156-182
SG 11156	206-232



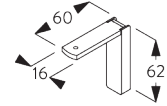
SG 2302
Bracket



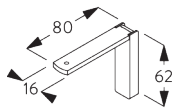
SG 10395
Pan head screw M4x6



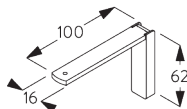
SG 10492
Pan head screw M4x8



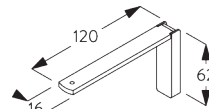
SG 11200
Smart Fix 60 mm



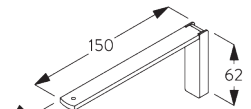
SG 11201
Smart Fix 80 mm



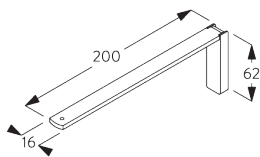
SG 11202
Smart Fix 100 mm



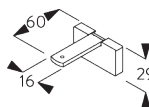
SG 11203
Smart Fix 120 mm



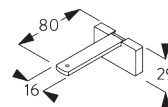
SG 11204
Smart Fix 150 mm



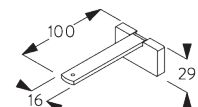
SG 11205
Smart Fix 200 mm



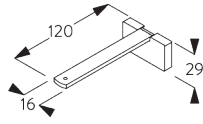
SG 11210
Square Smart Fix 60 mm



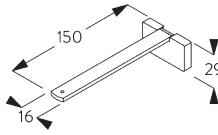
SG 11211
Square Smart Fix 80 mm



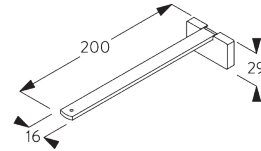
SG 11212
Square Smart Fix 100 mm



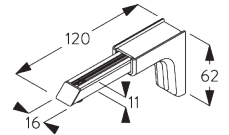
SG 11213
Square Smart Fix 120 mm



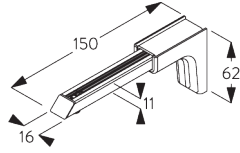
SG 11214
Square Smart Fix 150 mm



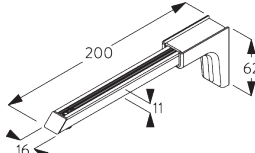
SG 11215
Square Smart Fix 200 mm



SG 11154
Universal Smart Fix 120 mm



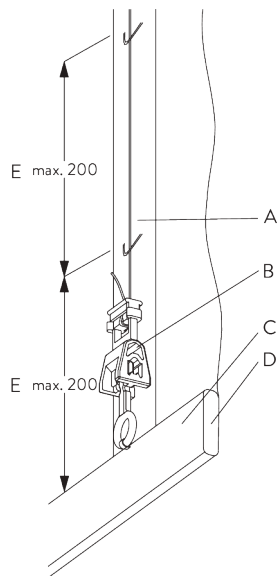
SG 11155
Universal Smart Fix 150 mm



SG 11156
Universal Smart Fix 200 mm

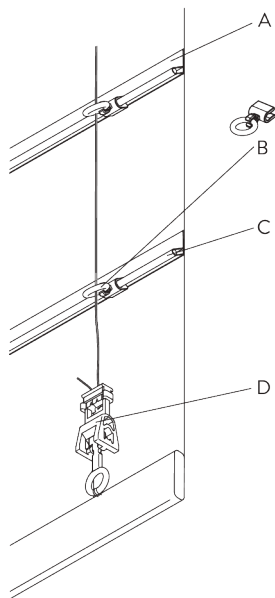
SYSTEM OPTIONS

A. FABRIC MAKE-UP



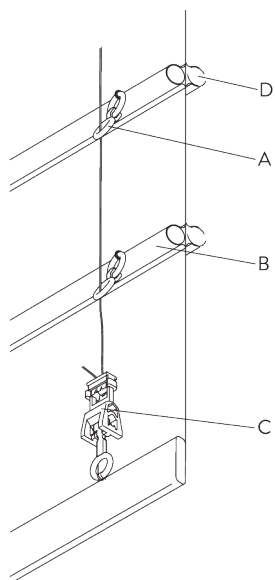
Type A (standard)

- A: Loop tape SG 3074
- B: Child safety hook set SG 3164
- C: Hollow hem
- D: Bottom bar SG 2004
- E: Child safety: max. distance 200 mm



Type B (rod)

- A: Hollow hem
- B: Child safety eyelet hard fold SG 3069
- C: Rod SG 2135
- D: Child safety hook set SG 3164


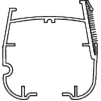
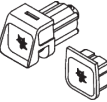
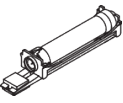
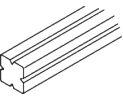

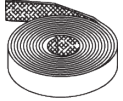
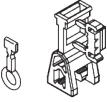


Type C (rod)

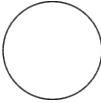
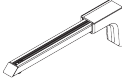
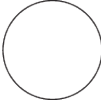
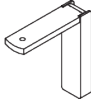
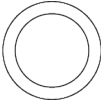
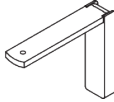
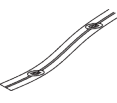
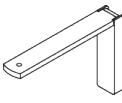

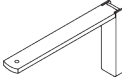
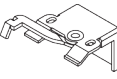
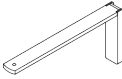
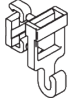
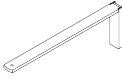

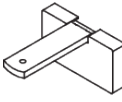

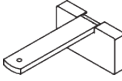

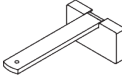

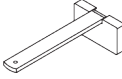
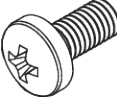
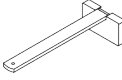
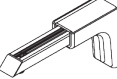
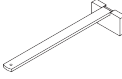
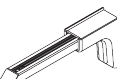

- A: Child safety eyelet set SG 3161
- B: Rod SG 2135 / SG 2137
- C: Child safety hook set SG 3164
- D: Option: rod SG 2135 / SG 2137 can be installed to room side

PARTS

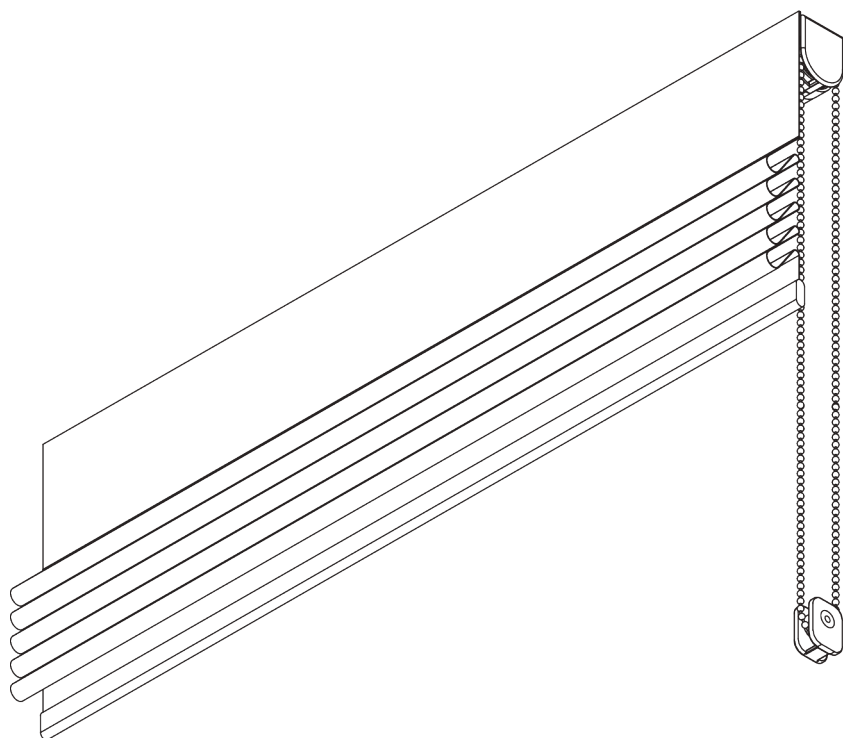
A. STANDARD PARTS

	SG 2004 Bottom bar 20x7 mm
	SG 2301 Velcro profile
	SG 2307 Child safety chain drive set 4:1
	SG 2308 Cord drum with lift cord
	SG 2309 Shaft
	SG 2311 Bead chain metal ø 4.5 mm
	SG 2539 Tape
	SG 3164 Child safety hook set

B. OPTIONAL PARTS

	SG 2135 Rod steel ø 3 mm		SG 11156 Universal Smart Fix 200 mm
	SG 2137 Rod fiberglass ø 4 mm		SG 11200 Smart Fix 60 mm
	SG 2144 Profile ø 8 mm		SG 11201 Smart Fix 80 mm
	SG 2164 Ring tape		SG 11202 Smart Fix 100 mm
	SG 2302 Bracket		SG 11203 Smart Fix 120 mm
	SG 2346 Bracket		SG 11204 Smart Fix 150 mm
	SG 3055 Hook		SG 11205 Smart Fix 200 mm
	SG 3069 Child safety eyelet		SG 11210 Square Smart Fix 60 mm
	SG 3074 Loop tape		SG 11211 Square Smart Fix 80 mm
	SG 3161 Child safety eyelet set		SG 11212 Square Smart Fix 100 mm
	SG 10395 Pan head screw M4x6		SG 11213 Square Smart Fix 120 mm
	SG 10492 Pan head screw M4x8		SG 11214 Square Smart Fix 150 mm
	SG 11154 Universal Smart Fix 120 mm		SG 11215 Square Smart Fix 200 mm
	SG 11155 Universal Smart Fix 150 mm		SG 11482 Ring

SG 2320



PRODUCT INFORMATION

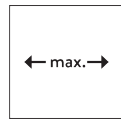
- **Operation:** chain
- **Range:** S - M
- **Fitting:** ceiling, wall
- **Colours:** white RAL 9016
- **Fabrics:** refer to Silent Gliss fabric collection

Features:

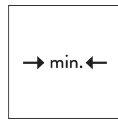
- 1-to-1 gear drive
- Stainless steel bead chain
- Enclosed headrail

SYSTEM SPECIFICATIONS

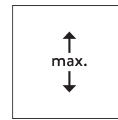
A. SYSTEM DIMENSIONS



3 m



60 cm



3 m



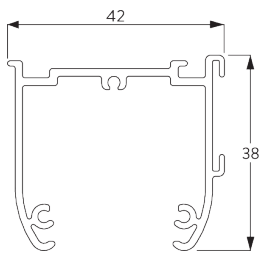
9 m²



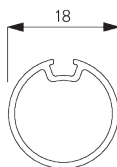
2.5 kg

B. PROFILE

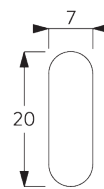
Profile information



SG 2321
Profile



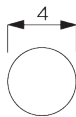
SG 8214
Profile ø 18 mm



SG 2004
Bottom bar 20x7 mm

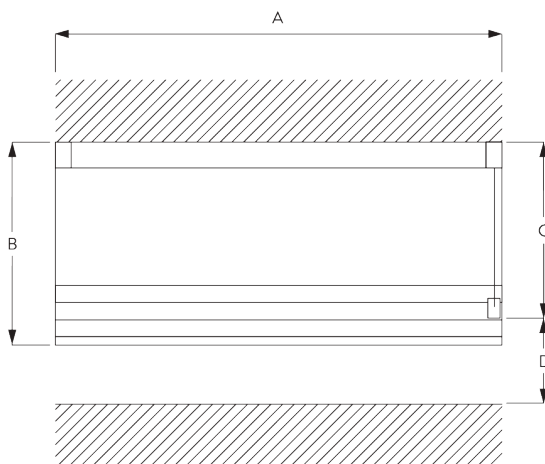


SG 2135
Rod steel ø 3 mm



SG 2137
Rod fiberglass ø 4 mm

C. HOW TO MEASURE



- A: System width
- B: System height
- C: Chain height
- D: Safety retainer SG 10731 min. 150 cm above floor

D. SPECIFICATION

TEXT

EN

Silent Gliss SG 2320 Chain Operated Roman Blind Headrail System. Comprises headrail SG 2321 made to measure and powder coated in white. Profile SG 8214 with cord holder SG 2323 and detachable cord lock SG 2322 for easy dismantling when washing the fabric. Cord SG 2216 and metal bead chain SG 4845. Top fix using clip bracket SG 2616. Wall fix with SG Smart Fix and SG 2616/SG 2643 at max. 90cm between fixing points. Fabric to be attached to headrail profile using loop tape. Fabric make up according to type A-D in the system description. For hardfold, the curtain should be delivered with rods SG2144 / SG 2135 / SG 2135. Child Safety components included, compliant to Child Safety Legislation EN 13120. Fabric to be chosen from the Silent Gliss fabric range, Price Groups 1-4.

SV

Silent Gliss SG 2320 kedjemanövrerat hissgardinsystem med toppkassett. Levereras komplett i specificerat mått innefattande kassett SG SG 2321 vitlack. Profil SG 8214 med linhållare SG 2323 med avtagbart linlås SG 2322 för enkel nermontering av gardinen utan behov av omträdning efter tvätt. Lina SG2216 och metallkedja SG 4845. Takmontering med SG 2616. Vägmontering med SG Smart Fix i kombination med SG 2616/SG 2643. Max. c/c 900 mellan fästpunkter. Textil fästes mot kassett med kardborrtape. Sömnad typ A-D enligt systembeskrivning. Gardin med tvärstag levereras med tvärstag SG 2144 / SG 2137 / SG 2135. Barnsäkerhetsdetaljer inkluderade vilka uppfyller barnsäkerhetsnorm EN 13120. Textil från Silent Gliss textilprogram i prisgrupp 1-4.

NO

Silent Gliss SG2320 Kjedebetjent liftgardin med toppkasse. Leveres komplett på spesifisert mål. Består av kassett SG2321 hvitlakkert. Profil SG8214, med snorholder SG2323 og avtagbar snorlås SG2322 for enkel demontering, og for å unngå ny trekking av tråder etter vask. Tråd SG2216 og metallkjedje SG4845. Takmontering med SG2616. Veggmontering SG Smart fix i kombinasjon med SG2616/SG2643. Max c/c 900 mellom festepunktene. Tekstilen festes i kassetten med borrelås. Søm type A-D i.h.t. systembeskrivelse. Gardiner med spiler leveres med spile SG2144/SG2137/SG2135. Oppfyller krave til barnesikkerhetsnormen EN13120. Tekstiler fra Silent Gliss tekstilprogram i prisgruppe 1-4.

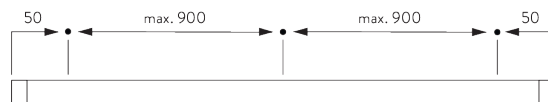
DA

Silent Gliss SG 2320 kædestyret rullegardinsystem med topkassette. Består af topkassette SG 2321 i specificerede mål og med hvid pulverlakering. Profil SG 8214 med snorholder SG 2323 og aftagelig snorlås SG 2322, så det er nemt at skille ad, når stoffet skal vaskes. Snor SG 2216 og metalkæde SG 4845. Fastgøres i loftet med clipsbeslag SG2616. Vægmonteres med SG Smart Fix og SG 2616/SG 2643 med en afstand på 90 cm mellem fastgøringspunkterne. Stoffet fastgøres til kassetten med burrelås. Stoffets søm i henhold til type A-D i systembeskrivelsen. Gardin med tværstang bør leveres med stængerne SG2144 / SG 2135 / SG 2135. Børnesikkerhedskomponenter medfølger. Overholder lovgivning om børnesikkerhed efter EN 13120. Stoffet vælges fra Silent Gliss stofprogrammet, prisgrupper 1-4.

FITTING

A. FITTING INFORMATION

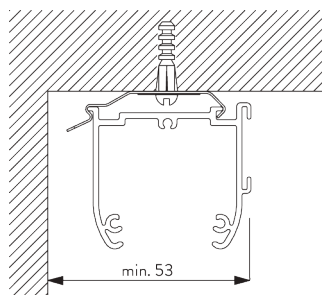
Fixing points

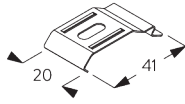


For detailed fitting information, visit the Silent Gliss website.

B. CEILING FITTING

Bracket SG 2616

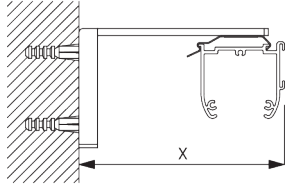




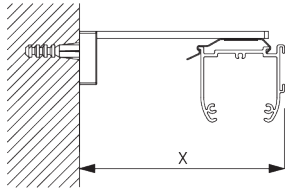
SG 2616
Bracket

C. WALL FITTING

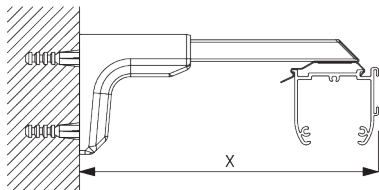
Smart Fix



Smart Fix SG 11200 - SG 11205 and bracket SG 2616:
Screw SG 10395 (M4x6) needed.

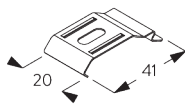


Square Smart Fix SG 11210 - SG 11215 and bracket SG 2616:
Screw SG 10395 (M4x6) needed.



Universal Smart Fix SG 11154 - SG 11156 and bracket SG 2616:
Screw SG 10492 (M4x8) needed.

Smart Fix	X mm
SG 11200 / SG 11210	70-76
SG 11201 / SG 11211	90-96
SG 11202 / SG 11212	110-116
SG 11203 / SG 11213	130-136
SG 11204 / SG 11214	160-166
SG 11205 / SG 11215	210-216
SG 11154	126-154
SG 11155	156-184
SG 11156	206-234



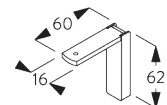
SG 2616
Bracket



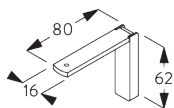
SG 10395
Pan head screw M4x6



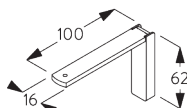
SG 10492
Pan head screw M4x8



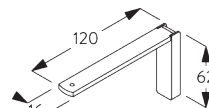
SG 11200
Smart Fix 60 mm



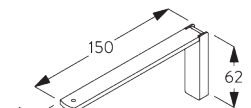
SG 11201
Smart Fix 80 mm



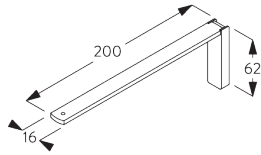
SG 11202
Smart Fix 100 mm



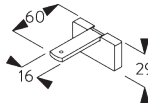
SG 11203
Smart Fix 120 mm



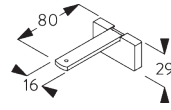
SG 11204
Smart Fix 150 mm



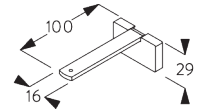
SG 11205
Smart Fix 200 mm



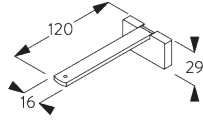
SG 11210
Square Smart Fix 60 mm



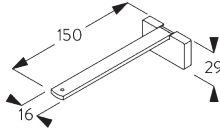
SG 11211
Square Smart Fix 80 mm



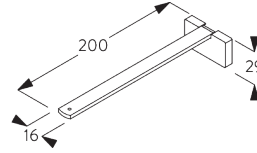
SG 11212
Square Smart Fix 100 mm



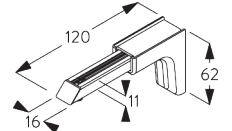
SG 11213
Square Smart Fix 120 mm



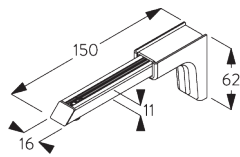
SG 11214
Square Smart Fix 150 mm



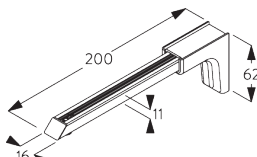
SG 11215
Square Smart Fix 200 mm



SG 11154
Universal Smart Fix 120 mm

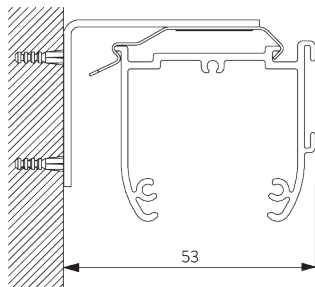


SG 11155
Universal Smart Fix 150 mm



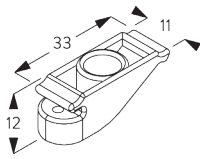
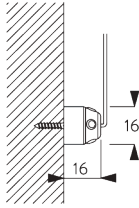
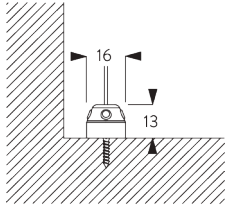
SG 11156
Universal Smart Fix 200 mm

Bracket SG 2343

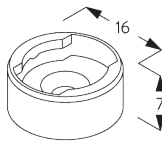


SG 2343
Bracket 46 mm

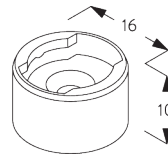
**D. FITTING WITH
SIDE GUIDE
OPTION**



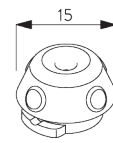
SG 2338
Side guide wire holder



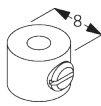
SG 8235
Side guide wire base short



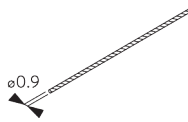
SG 8236
Side guide wire base long



SG 8237
Side guide wire holder



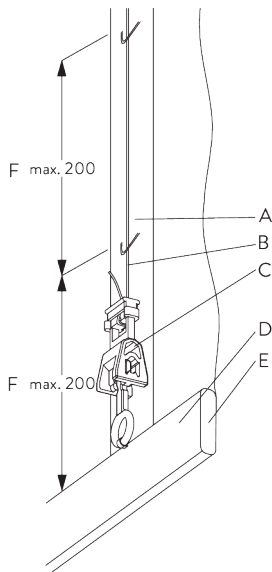
SG 8249
Side guide device



SG 10120
Side guide wire ø 0.9 mm

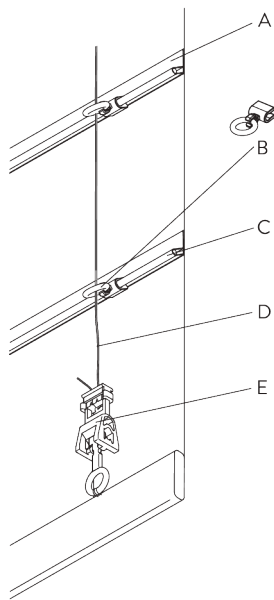
SYSTEM OPTIONS

A. FABRIC MAKE-UP



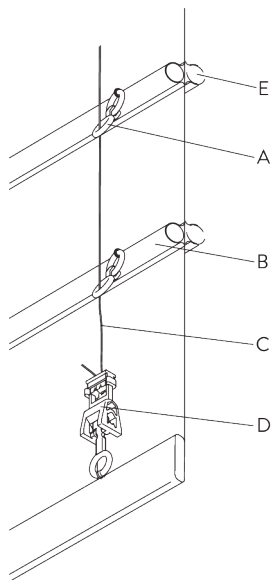
Type A

- A: Loop tape SG 3074
- B: Cord SG 2216
- C: Child safety hook set SG 3164
- D: Hollow hem
- E: Bottom bar SG 2004
- F: Child safety: max. distance 200 mm



Type B

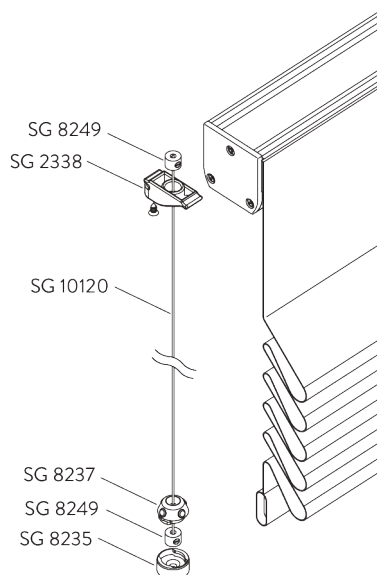
- A: Hollow hem
- B: Child safety eyelet hard fold SG 3069
- C: Rod SG 2135
- D: Cord SG 2216
- E: Child safety hook set SG 3164



Type C

- A: Child safety eyelet set SG 3161
- B: Tube SG 2135 / SG 2137
- C: Cord SG 2216
- D: Child safety hook set SG 3164
- E: Option: tube SG 2135 / SG 2137 can be installed to room side

B. SIDE GUIDES



Additional parts:



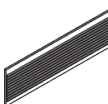



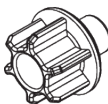


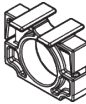
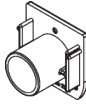


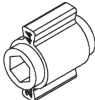
- 2x SG 2338 Side guide wire holder
- 2x SG 8235 Side guide wire base short
- 2x SG 8237 Side guide wire holder
- 4x SG 8249 Side guide device
- 2x SG 10120 Side guide wire \varnothing 0.9 mm

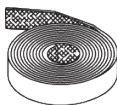
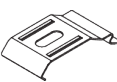
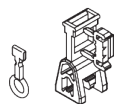



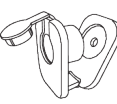
Note:

- Up to 15° from vertical

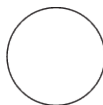
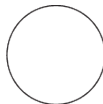

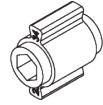
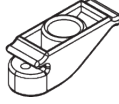
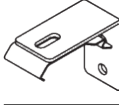

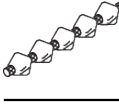
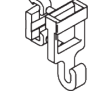

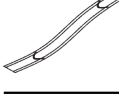
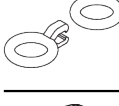


PARTS



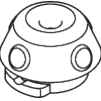
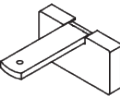
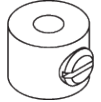
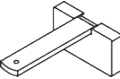

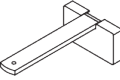

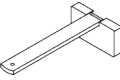
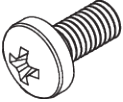
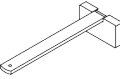
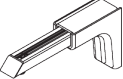
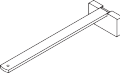
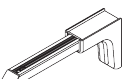

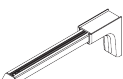
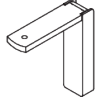
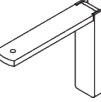
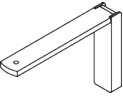
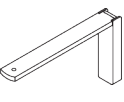

A. STANDARD PARTS

	SG 2004 Bottom bar 20x7 mm
	SG 2216 Cord \varnothing 0.85 mm
	SG 2221 Velcro tape
	SG 2321 Profile
	SG 2322 Pin
	SG 2323 Shell
	SG 2327 Tube adapter
	SG 2328 Tube adapter
	SG 2335 Drive case 1:1
	SG 2336 Support
	SG 2337 End cover
	SG 2339 Cover
	SG 2341 Chain wheel for steel bead chain
	SG 2344 Sleeve for metal bead chain

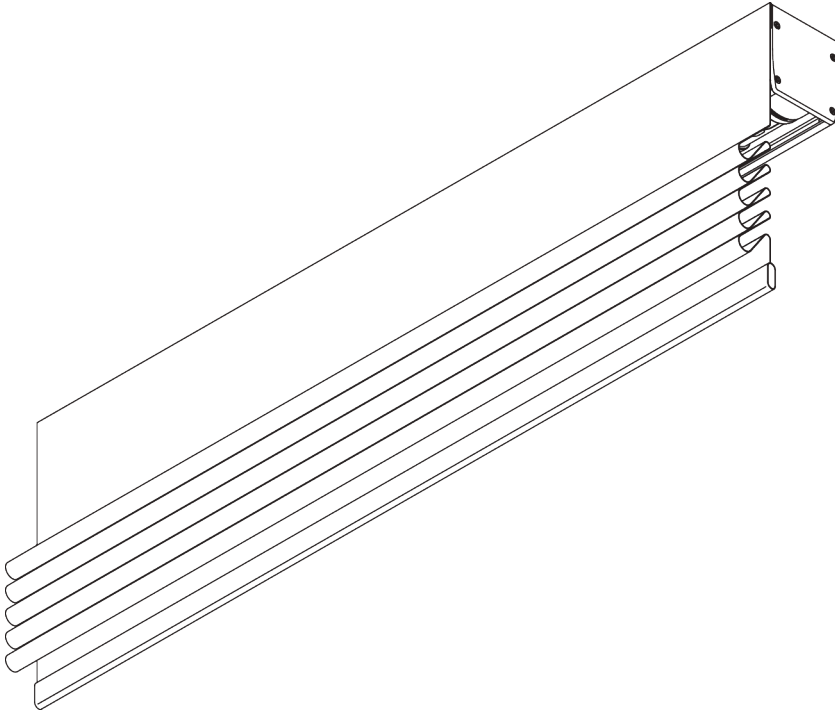
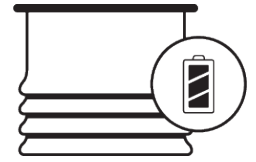
	SG 2539 Tape
	SG 2616 Bracket
	SG 3164 Child safety hook set
	SG 4845 Bead chain metal \varnothing 4.5 mm
	SG 8214 Profile \varnothing 18 mm
	SG 10139 Countersunk screw 2.9x6.5
	SG 10731 Child safety retainer set

B. OPTIONAL PARTS

	SG 2135 Rod steel \varnothing 3 mm
	SG 2137 Rod fiberglass \varnothing 4 mm
	SG 2333 Chain wheel for plastic bead chain
	SG 2334 Sleeve for plastic bead chain
	SG 2338 Side guide wire holder
	SG 2343 Bracket 46 mm
	SG 2865 Bead chain connector \varnothing 4.6 mm
	SG 2872 Bead chain plastic \varnothing 4.6 mm
	SG 3055 Hook
	SG 3069 Child safety eyelet
	SG 3074 Loop tape
	SG 3161 Child safety eyelet set
	SG 3340 Cord/chain weight
	SG 8235 Side guide wire base short

	SG 8236 Side guide wire base long		SG 11205 Smart Fix 200 mm
	SG 8237 Side guide wire holder		SG 11210 Square Smart Fix 60 mm
	SG 8249 Side guide device		SG 11211 Square Smart Fix 80 mm
	SG 10120 Side guide wire ø 0.9 mm		SG 11212 Square Smart Fix 100 mm
	SG 10395 Pan head screw M4x6		SG 11213 Square Smart Fix 120 mm
	SG 10492 Pan head screw M4x8		SG 11214 Square Smart Fix 150 mm
	SG 11154 Universal Smart Fix 120 mm		SG 11215 Square Smart Fix 200 mm
	SG 11155 Universal Smart Fix 150 mm		SG 11482 Ring
	SG 11156 Universal Smart Fix 200 mm		
	SG 11200 Smart Fix 60 mm		
	SG 11201 Smart Fix 80 mm		
	SG 11202 Smart Fix 100 mm		
	SG 11203 Smart Fix 120 mm		
	SG 11204 Smart Fix 150 mm		

SG 2345



PRODUCT INFORMATION

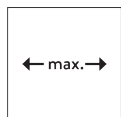
- **Operation:** motorised (battery operated)
- **Range:** S - M
- **Fitting:** ceiling, wall
- **Colours:** white RAL 9016
- **Fabrics:** refer to Silent Gliss fabric collection

Features:

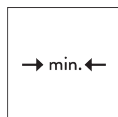
- Various control options
- Easy exchange of batteries
- Enclosed headrail

SYSTEM SPECIFICATIONS

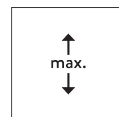
A. SYSTEM DIMENSIONS



6 m



60 cm



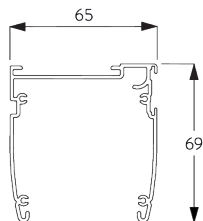
6 m



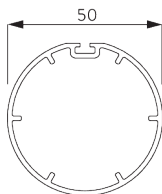
2.5 kg

B. PROFILE

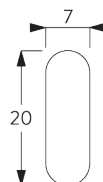
Profile information



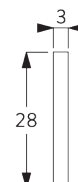
SG 2351
Profile



SG 2352
Profile \varnothing 50 mm



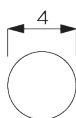
SG 2004
Bottom bar 20x7 mm



SG 2006
Bottom bar 28x3 mm

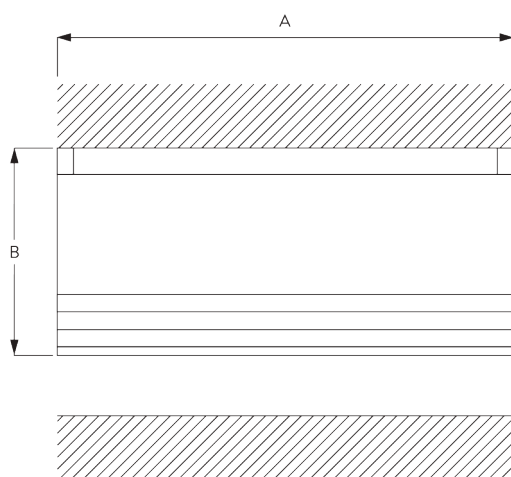


SG 2135
Rod steel \varnothing 3 mm



SG 2137
Rod fiberglass \varnothing 4 mm

C. HOW TO MEASURE



A: System width
B: System height

D. SPECIFICATION

TEXT

EN

Silent Gliss SG 2345 Roman Blind Headrail System with battery driven motor. Comprises headrail SG 2351 made to measure and powder coated in white. Profile SG 2352 with cord holder SG 2358 and detachable cord lock SG 2357 for easy dismantling when washing the fabric. Cord SG 2216. Integral motor SG 11076 and battery pack SG 11077 with 8 no. lithium batteries SG 11099. To be supplied with radio wall or hand held transmitter SG 10146-48 / SG 10949-51. Top fix using clip bracket SG 3003. Wall fix with SG Smart Fix and SG 3003 / SG 2521 at max. 90cm between fixing points. Fabric to be attached to headrail profile using loop tape. Fabric make up according to type A-D in the system description. For hardfold, the curtain should be delivered with rods SG2144 / SG 2135 / SG 2135. Child Safety components included, compliant to Child Safety Legislation EN 13120. Fabric to be chosen from the Silent Gliss fabric range, Price Groups 1-4.

SV

Silent Gliss SG 2345 hissgardinsystem med toppkassett och batteridrivna motor. Levereras komplett i specificerat mått innefattande kassett SG SG 2351 vitlack. Profil SG 2352 med linnehållare SG2358 med avtagbart linlås 2357 för enkel nermontering av gardinen utan behov av omräddning efter tvätt. Lina SG2216). Integrerad motor SG 11076 och batterihållare SG 11077 med 8 st. lithium batterier SG 11099. Att levereras med fjärrkontroll med radio handhållen / för väggmontage SG 10146-48 / SG 10949-51. Takmontering med SG 3003. Vägmontering med SG Smart Fix i kombination med SG 3003 / SG 2521. Max. c/c 900 mellan fästpunkter. Textil fästes mot kassett med kardborretape. Sömnad typ A-D enligt systembeskrivning. Gardin med tvärstag levereras med tvärstag SG 2144 / SG 2137 / SG 2135. Barnsäkerhetsdetaljer inkluderade vilka uppfyller barnsäkerhetsnorm EN 13120. Textil från Silent Gliss textilprogram i prisgrupp 1-4.

NO

Silent Gliss SG2345 batteridrevet liftgardin med toppkasse. Leveres komplett på spesifisert mål. Består av kassett SG2351 hvitlakkert. Profil SG2353, med avtagbar snorlås SG2357 for enkel demontering, og for å unngå ny trekking av tråder etter vask. Snor SG2216. Integrert motor SG11076 og batteriholder SG11077 med 8 stk lithium batterier AS11099. Leveres med (fjernkontroll) radio mobil/veggmontert SG10146-48/SG10949-51. Takmontering med SG3003. Veggmontering SG Smart fix i kombinasjon med SG3003/SG2521. Max c/c 900 mellom festepunktene. Tekstilen festes i kassetten med borrelås. Søm type A-D i.h.t. systembeskrivelse. Gardiner med spiler leveres med spile SG2144/SG2137/SG2135. Oppfyller krave til barnesikkerhetsnormen EN13120. Tekstiler fra Silent Gliss tekstilprogram i prisgruppe 1-4.

DA

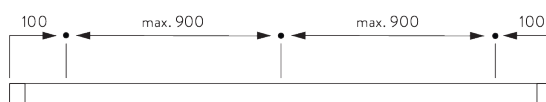
Silent Gliss SG 2345 rullegardinsystem med toppkassette og batteridreven motor. Består af toppkassette SG 2351 i specificerede mål og med hvid pulverlakering. Profil SG 2352 med snorholder SG 2358 og aftagelig snorlås SG 2357, så det er nemt at skille ad, når stoffet skal vaskes. Snor SG 2216. Integeret motor SG 11076 og batteripakke SG 11077 med 8 stk. litiumbatterier SG 11099. Leveres med radio væg- eller håndholdt sender SG 10146-48 / SG 10949-51. Fastgøres i loftet med clipsbeslag SG 3003. Vægmonteres med SG Smart Fix og SG 3003 / SG 2521 med en afstand på 90 cm mellem fastgøringspunkterne. Stoffet fastgøres til kassetten med burrelås. Stoffets søm i henhold til type A-D i systembeskrivelsen. Gardin med tværstang bør leveres med stængerne SG2144 / SG 2135 / SG 2135. Børnesikkerhedskomponenter medfølger. Overholder lovgivning om børnesikkerhed efter EN 13120. Stoffet vælges fra Silent Gliss stofprogrammet, prisgrupper 1-4.

FITTING

A. FITTING INFORMATION

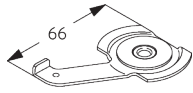
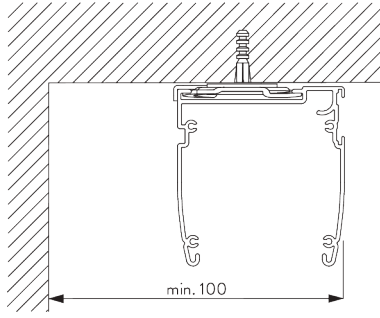
Fixing points

For detailed fitting information, visit the Silent Gliss website.



B. CEILING FITTING

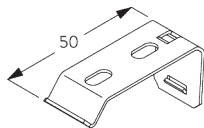
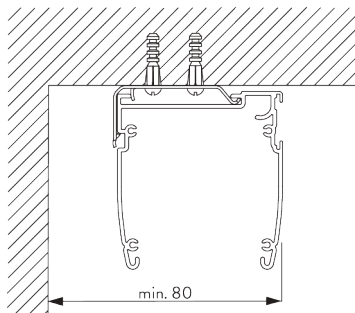
Clamp SG 3003



SG 3003

Clamp

Bracket SG 2521

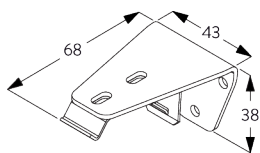
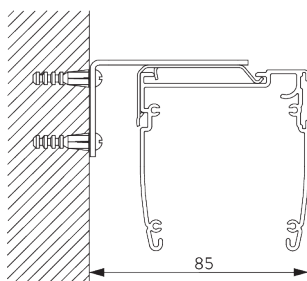


SG 2521

Bracket

C. WALL FITTING

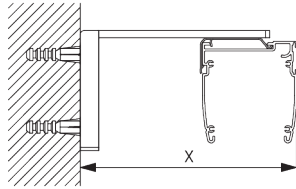
Bracket SG 2363



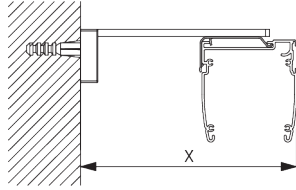
SG 2363

Bracket 68 mm

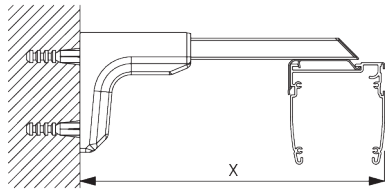
Smart Fix



Smart Fix SG 11200 - SG 11204 and bracket SG 2521:
Screw SG 10395 (M4x6) needed.

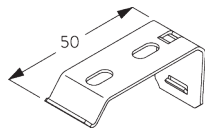


Square Smart Fix SG 11210 - SG 11214 and bracket SG 2521:
Screw SG 10395 (M4x6) needed.



Universal Smart Fix SG 11154 - SG 11156 and bracket SG 2521:
Screw SG 10492 (M4x8) needed.

Smart Fix	X mm
SG 11200 / SG 11210	80-84
SG 11201 / SG 11211	100-104
SG 11202 / SG 11212	120-124
SG 11203 / SG 11213	140-144
SG 11204 / SG 11214	170-174
SG 11154	134-162
SG 11155	164-192
SG 11156	214-242



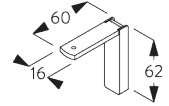
SG 2521
Bracket



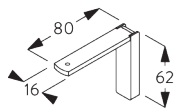
SG 10395
Pan head screw M4x6



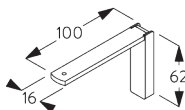
SG 10492
Pan head screw M4x8



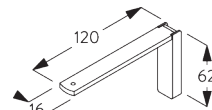
SG 11200
Smart Fix 60 mm



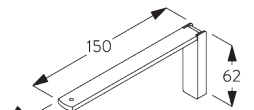
SG 11201
Smart Fix 80 mm



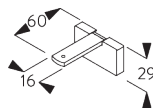
SG 11202
Smart Fix 100 mm



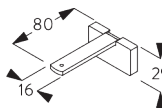
SG 11203
Smart Fix 120 mm



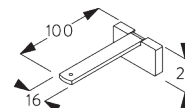
SG 11204
Smart Fix 150 mm



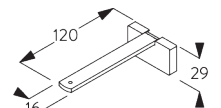
SG 11210
Square Smart Fix 60 mm



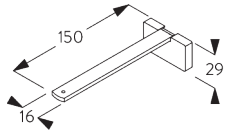
SG 11211
Square Smart Fix 80 mm



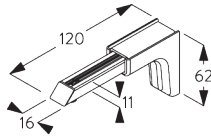
SG 11212
Square Smart Fix 100 mm



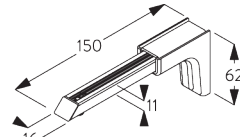
SG 11213
Square Smart Fix 120 mm



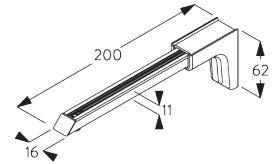
SG 11214
Square Smart Fix 150 mm



SG 11154
Universal Smart Fix 120 mm



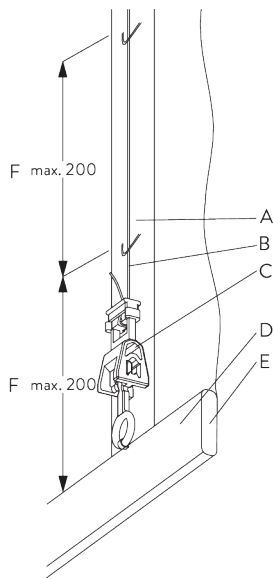
SG 11155
Universal Smart Fix 150 mm



SG 11156
Universal Smart Fix 200 mm

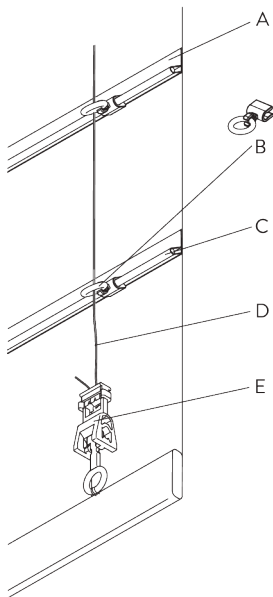
SYSTEM OPTIONS

A. FABRIC MAKE-UP



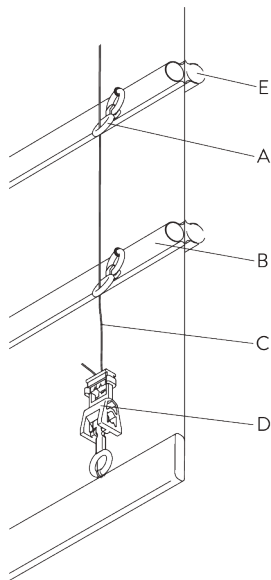
Type A

- A: Loop tape SG 3074
- B: Cord SG 2216
- C: Child safety hook set SG 3164
- D: Hollow hem
- E: Bottom bar SG 2004
- F: Child safety: max. distance 200 mm



Type B

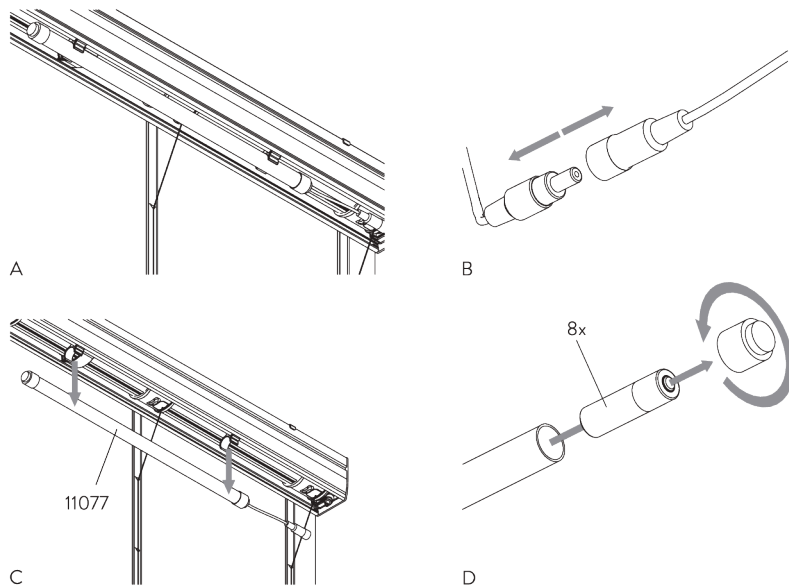
- A: Hollow hem
- B: Child safety eyelet hard fold SG 3069
- C: Rod SG 2135
- D: Cord SG 2216
- E: Child safety hook set SG 3164



Type C

- A: Child safety eyelet set SG 3161
- B: Tube SG 2135 / SG 2137
- C: Cord SG 2216
- D: Child safety hook set SG 3164
- E: Option: tube SG 2135 / SG 2137 can be installed to room side

B. BATTERY EXCHANGE



MOTOR & CONTROLS

A. MOTOR FEATURES

Motor	SG 11076
Motor Features	
Soft start / stop	•
Built-in receiver	•
Electronic end-stop	•
Electronic revolution counter (unlimited revolution)	•
IP class	IP 44
Control Features	
SG Control A	•

B. MOTOR

SPECIFICATIONS

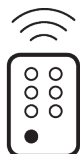
Motor	Min. system width	Voltage	Current	Speed	Frequency receiver
SG 11076	60 cm	12 V DC	0.55 A	30 rpm	433 MHz

C. OPERATION

METHODS

See catalogue "controls" for details.



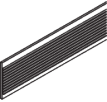
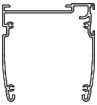



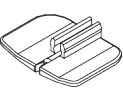

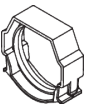


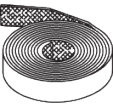
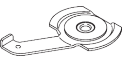
SG Control A



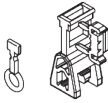

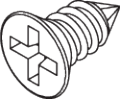
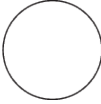
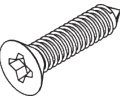
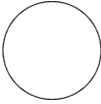



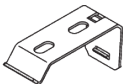

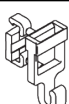

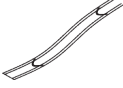



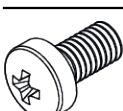



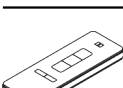
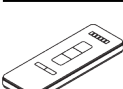

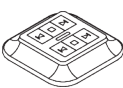
Various radio hand-held and wall transmitters available.

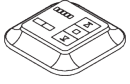
PARTS

A. STANDARD PARTS

	SG 2004 Bottom bar 20x7 mm
	SG 2216 Cord ø 0.85 mm
	SG 2221 Velcro tape
	SG 2351 Profile
	SG 2352 Profile ø 50 mm
	SG 2353 End cover
	SG 2354 End cover
	SG 2357 Pin
	SG 2358 Shell
	SG 2359 Support
	SG 2361 Tube adapter
	SG 2368 Motor plate
	SG 2539 Tape
	SG 3003 Clamp

B. OPTIONAL PARTS

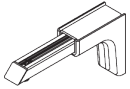
	SG 3164 Child safety hook set		SG 2006 Bottom bar 28x3 mm
	SG 10139 Countersunk screw 2.9x6.5		SG 2135 Rod steel ø 3 mm
	SG 10467 Countersunk head screw 2.9x13		SG 2137 Rod fiberglass ø 4 mm
	SG 10946 Radio hand held 1 channel		SG 2363 Bracket 68 mm
	SG 11071 Motor drive		SG 2521 Bracket
	SG 11074 Tube adapter		SG 3055 Hook
	SG 11076 Motor 12V DC, 1.2/30		SG 3074 Loop tape
	SG 11077 Battery box		SG 3161 Child safety eyelet set
	SG 11085 Battery box holder		SG 10395 Pan head screw M4x6
	SG 11099 AA Energizer Ultimate lithium batteries		SG 10492 Pan head screw M4x8
	SG 11103 Warning sticker		SG 10947 Radio hand held 2+1 channel
			SG 10948 Radio hand held 6+1 channel
			SG 10949 Radio wall transmitter 1 channel
			SG 10950 Radio wall transmitter 2 channel



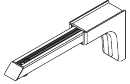
SG 10951
Radio wall transmitter 5+1 channel



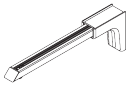
SG 11482
Ring



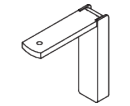
SG 11154
Universal Smart Fix 120 mm



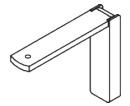
SG 11155
Universal Smart Fix 150 mm



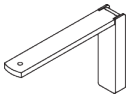
SG 11156
Universal Smart Fix 200 mm



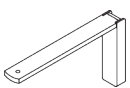
SG 11200
Smart Fix 60 mm



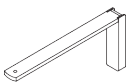
SG 11201
Smart Fix 80 mm



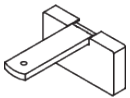
SG 11202
Smart Fix 100 mm



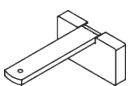
SG 11203
Smart Fix 120 mm



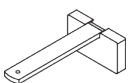
SG 11204
Smart Fix 150 mm



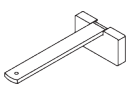
SG 11210
Square Smart Fix 60 mm



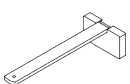
SG 11211
Square Smart Fix 80 mm



SG 11212
Square Smart Fix 100 mm

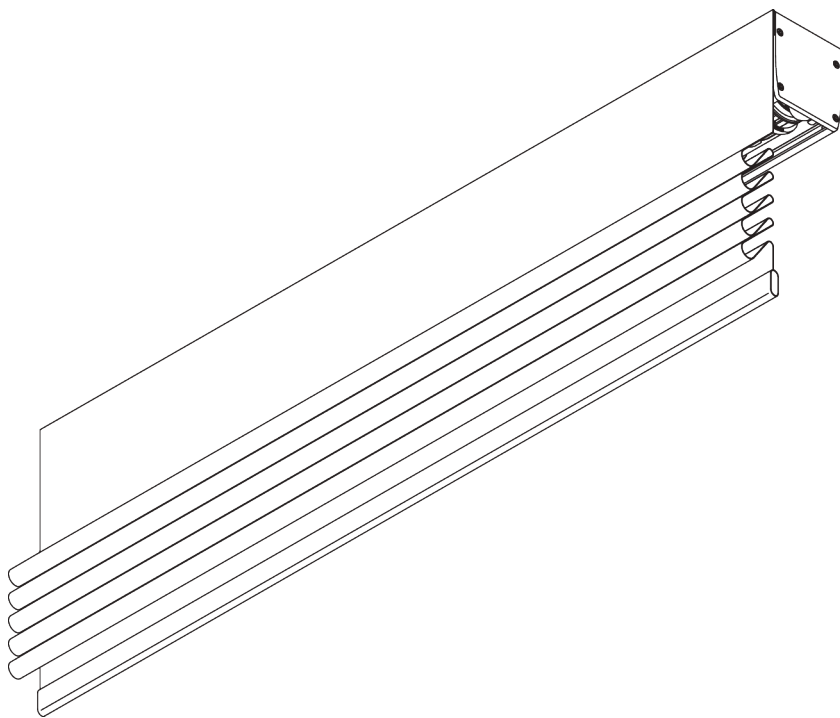


SG 11213
Square Smart Fix 120 mm



SG 11214
Square Smart Fix 150 mm

SG 2350



PRODUCT INFORMATION

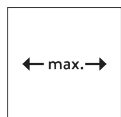
- **Operation:** motorised
- **Range:** S - L
- **Fitting:** ceiling, wall
- **Colours:** white RAL 9016
- **Fabrics:** refer to Silent Gliss fabric collection

Features:

- Quiet and fast motors
- Soft stop
- Various control options
- Enclosed headrail

SYSTEM SPECIFICATIONS

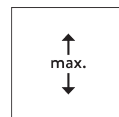
A. SYSTEM DIMENSIONS



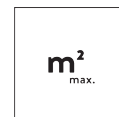
6 m



60 cm



6 m



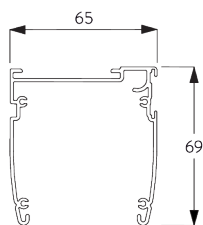
36 m²



15 kg

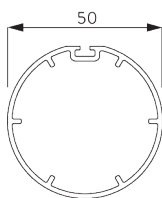
B. PROFILE

Profile information



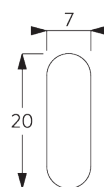
SG 2351

Profile



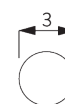
SG 2352

Profile ø 50 mm



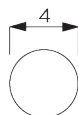
SG 2004

Bottom bar 20x7 mm



SG 2135

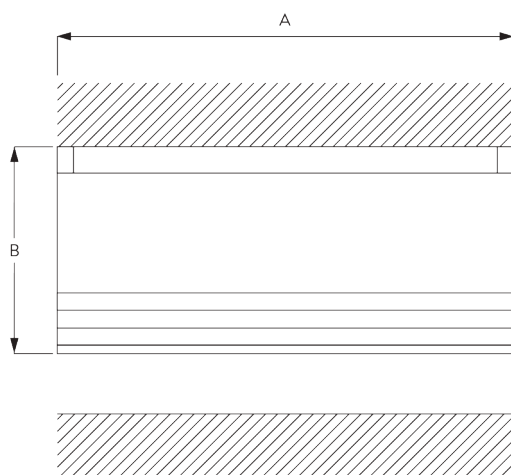
Rod steel ø 3 mm



SG 2137

Rod fiberglass ø 4 mm

C. HOW TO MEASURE



A: System width
B: System height

D. SPECIFICATION

TEXT

EN

Silent Gliss SG 2350 Roman Blind Headrail System with motor. Comprises headrail SG 2351 made to measure and powder coated in white. Profile SG 2352 with cord holder SG 2358 and detachable cord lock SG 2357 for easy dismantling when washing the fabric. Cord SG 2216. Integral 230V motor SG 10522/ SG 10523 left / right side. Operation by mains switch (not supplied), by remote control or mains switching by third party control system. All wiring to be strictly in accordance with Silent Gliss wiring diagrams. Top fix using clip bracket SG 3003. Wall fix with SG Smart Fix and SG 3003 / SG 2521 at max. 90cm between fixing points. Fabric to be attached to headrail profile using loop tape. Fabric make up according to type A-D in the system description. For hardfold, the curtain should be delivered with rods SG2144 / SG 2135 / SG 2135. Child Safety components included, compliant to Child Safety Legislation EN 13120. Fabric to be chosen from the Silent Gliss fabric range, Price Groups 1-4.

SV

Silent Gliss SG 2350 hissgardinsystem med toppkassett och motor. Levereras komplett i specificerat mått innefattande kassett SG 2351 vitlack. Profil SG 2352 med linhållare SG2358 med avtagbart linlås SG 2357 för enkel nermontering av gardinen utan behov av omträdning efter tvätt. Lina SG 2216). Integrerad 230V motor SG 10522/ SG 10523 vänster / höger sida. Styrning via väggkontakt(ej inkluderad), via fjärrkontroll eller via externt styrsystem. All elinstallation skall följa Silent Gliss kopplingsschema. Takmontering med SG 3003. Vägghöjning med SG Smart Fix i kombination med SG 3003 / SG 2521. Max. c/c 900 mellan fästpunkter. Textil fästes mot kassett med kardborreteape. Sömnad typ A-D enligt systembeskrivning. Gardin med tvärstag levereras med tvärstag SG 2144 / SG 2137 / SG 2135. Barnsäkerhetsdetaljer inkluderade vilka uppfyller barnsäkerhetsnorm EN 13120. Textil från Silent Gliss textilprogram i prisgrupp 1-4.

NO

Silent Gliss SG 2350 motorisert liftgardin med toppkasse. Leveres komplett på spesifisert mål. Består av kassett SG 2351 hvitlakkert. Profil SG 2352, med avtagbar snorlås SG 2357 for enkel demontering, og for å unngå ny trekking av tråder etter vask. Snor SG 2216. Integrert 230V motor SG 10522 / SG 10523 venstre/høyre side. Styring via veggkontakt (ikke inkl.), via fjernkontroll (ikke inkl.), eller via eksternt styresystem. Silent Gliss koblingskjema må benyttes ved all el-installasjon. Takmontering med SG3003. Veggmontering SG Smart fix i kombinasjon med SG 3003 / SG 2521. Max c/c 900 mellom festepunktene. Tekstilen festes i kassetten med borrelås. Søm type A-D i.h.t. systembeskrivelse. Gardiner med spiler leveres med spile SG 2144 / SG 2137 / SG 2135. Oppfyller kravet til barnesikkerhetsnormen EN 13120. Tekstiler fra Silent Gliss tekstilprogram i prisgruppe 1-4.

DA

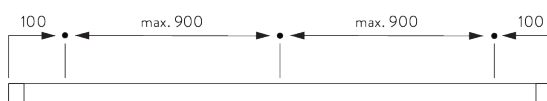
Silent Gliss SG 2350 rullegardinsystem med toppkassette og motor. Består af toppkassette SG 2351 i specificerede mål og med hvid pulverlakering. Profil SG 2352 med snorholder SG 2358 og aftagelig snorlås SG 2357, så det er nemt at skille ad, når stoffet skal vaskes. Snor SG 2216. Integreret 230 V motor SG 10522/ SG 10523 venstre / højre side. Styres med lysnetkontakt (medfølger ikke), med fjernbetjening eller lysnetkontakt fra tredjepart system. Al ledningsføring skal udelukkende vælges i henhold til Silent Gliss ledningsdiagrammer. Fastgøres i loftet med clipsbeslag SG 3003. Vægghøjning med SG Smart Fix og SG 3003 / SG 2521 med en afstand på 90 cm mellem fastgøringsspunkterne. Stoffet fastgøres til kassetten med burrelås. Stoffets søm i henhold til type A-D i systembeskrivelsen. Gardin med tværstang bør leveres med stængerne SG2144 / SG 2135 / SG 2135. Børnesikkerhedskomponenter medfølger. Overholder lovgivning om børnesikkerhed efter EN 13120. Stoffet vælges fra Silent Gliss stofprogrammet, prisgrupper 1-4.

FITTING

A. FITTING INFORMATION

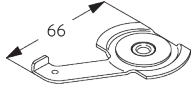
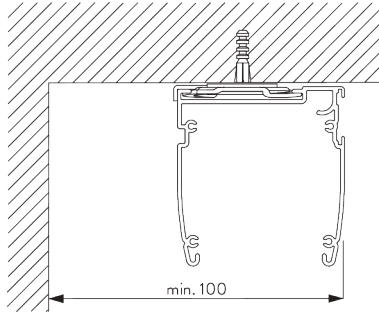
Fixing points

For detailed fitting information, visit the Silent Gliss website.



B. CEILING FITTING

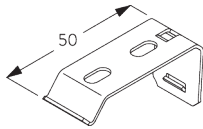
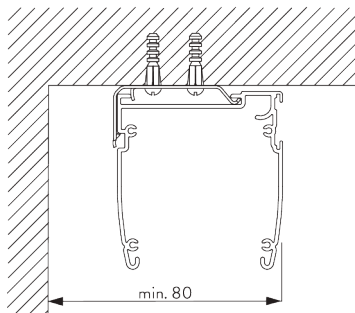
Clamp SG 3003



SG 3003

Clamp

Bracket SG 2521

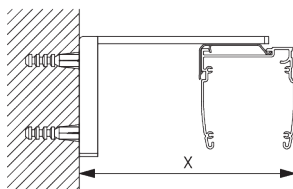


SG 2521

Bracket

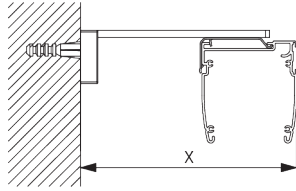
C. WALL FITTING

Smart Fix



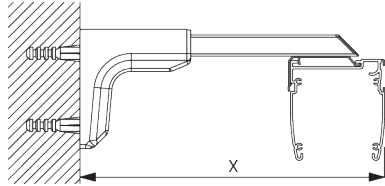
Smart Fix SG 11200 - SG 11204 and bracket SG 2521:
Screw SG 10395 (M4x6) needed.

Smart Fix	X mm
SG 11200 / SG 11210	80-84
SG 11201 / SG 11211	100-104
SG 11202 / SG 11212	120-124
SG 11203 / SG 11213	140-144
SG 11204 / SG 11214	170-174
SG 11154	134-162
SG 11155	164-192
SG 11156	214-242



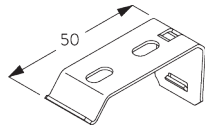
**Square Smart Fix SG 11210 - SG 11214 and
bracket SG 2521:**

Screw SG 10395 (M4x6) needed.



**Universal Smart Fix SG 11154 - SG 11156 and
bracket SG 2521:**

Screw SG 10492 (M4x8) needed.



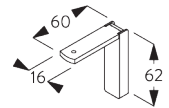
SG 2521
Bracket



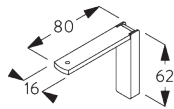
SG 10395
Pan head screw M4x6



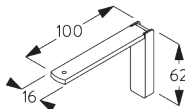
SG 10492
Pan head screw M4x8



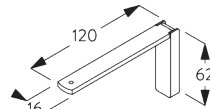
SG 11200
Smart Fix 60 mm



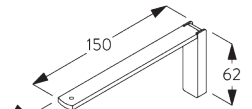
SG 11201
Smart Fix 80 mm



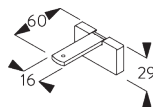
SG 11202
Smart Fix 100 mm



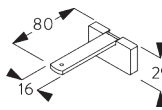
SG 11203
Smart Fix 120 mm



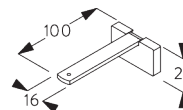
SG 11204
Smart Fix 150 mm



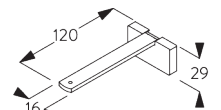
SG 11210
Square Smart Fix 60 mm



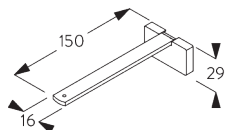
SG 11211
Square Smart Fix 80 mm



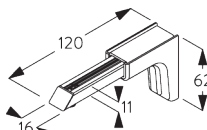
SG 11212
Square Smart Fix 100 mm



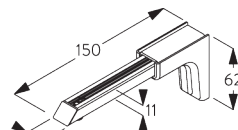
SG 11213
Square Smart Fix 120 mm



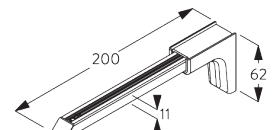
SG 11214
Square Smart Fix 150 mm



SG 11154
Universal Smart Fix 120 mm

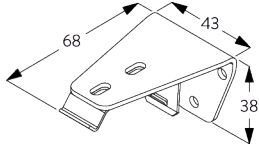
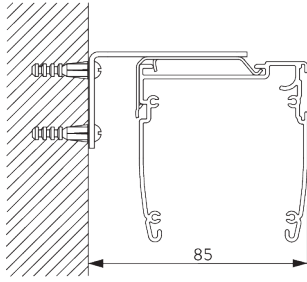


SG 11155
Universal Smart Fix 150 mm



SG 11156
Universal Smart Fix 200 mm

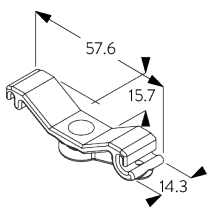
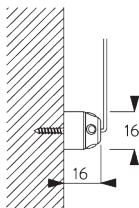
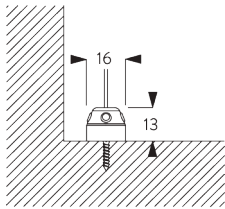
Bracket SG 2363



SG 2363

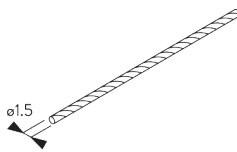
Bracket 68 mm

**D. FITTING WITH
SIDE GUIDE
OPTION**



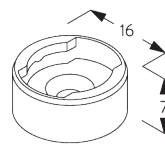
SG 2362

Side guide wire holder



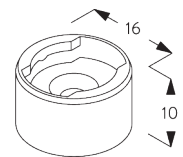
SG 4948

Side guide wire ø 1.5 mm



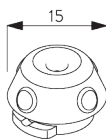
SG 8235

Side guide wire base short



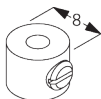
SG 8236

Side guide wire base long



SG 8237

Side guide wire holder

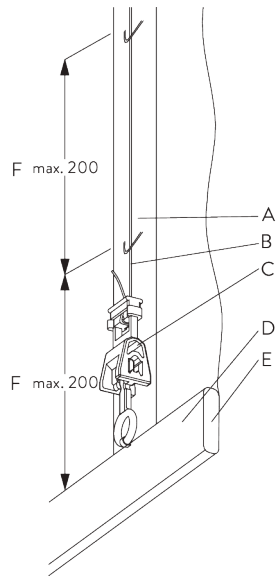


SG 8249

Side guide device

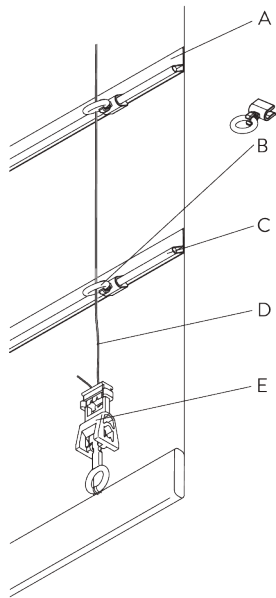
SYSTEM OPTIONS

A. FABRIC MAKE-UP



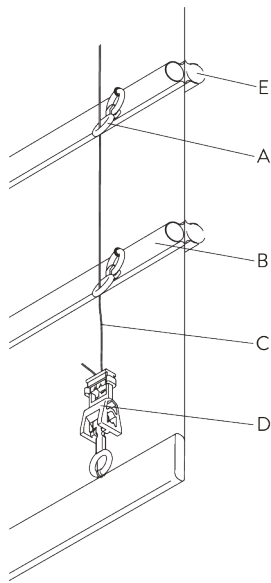
Type A

- A: Loop tape SG 3074
- B: Cord SG 2216
- C: Child safety hook set SG 3164
- D: Hollow hem
- E: Bottom bar SG 2004
- F: Child safety: max. distance 200 mm



Type B

- A: Hollow hem
- B: Child safety eyelet hard fold SG 3069
- C: Rod SG 2135
- D: Cord SG 2216
- E: Child safety hook set SG 3164



Type C

A: Child safety eyelet set SG 3161

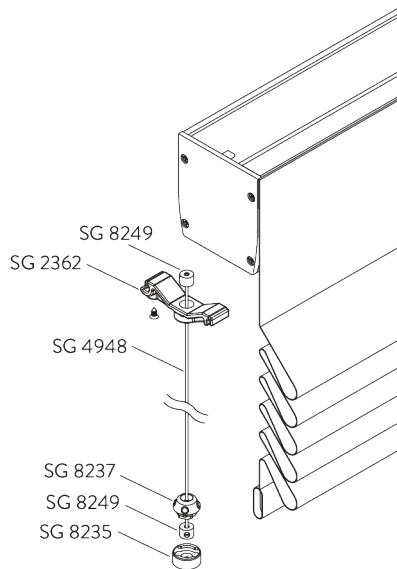
B: Tube SG 2135 / SG 2137

C: Cord SG 2216

D: Child safety hook set SG 3164

E: Option: tube SG 2135 / SG 2137 can be installed to room side

B. SIDE GUIDES



Additional parts:

- 2x SG 2362 Side guide wire holder
- 2x SG 4948 Side guide wire \varnothing 1.5 mm
- 2x SG 8235 Side guide wire base short
- 2x SG 8237 Side guide wire holder
- 4x SG 8249 Side guide device

Note:

- Up to 15° from vertical

MOTORS & CONTROLS

A. MOTOR FEATURES

Motors	50-Series	20-Series	20-Series	10-Series K	5-Series
	SG 11251 SG 11252	SG 10323 SG 10523	SG 10322 SG 10522	SG 10514	SG 10715

Motor Features

Soft stop	•	•	•		
Electronic end-stop	•	•	•		
Electronic revolution counter (unlimited revolution)	•	•	•		
Mechanical end-stop				•	•
Mechanical revolution counter (limited revolution)				•	•
Two intermediate positions possible		•			
Bottom bar alignment	•				
Noiseless stop		•	•	•	
Parallel wiring possible without additional relays		•	•		
Disconnectable motor cable	•	•	•		
IP class	IP 30	IP 44	IP 44	IP 44	IP 44

Control Features

Mains power control		•	•	•	•
SG Control L (built-in receiver)		•			
Smart by Silent Gliss	•				
Suitable for most major home automation systems (with suitable interface)		•	•	•	•

B. MOTOR SPECIFICATIONS

Motors	Max. weight	Min. system width	Voltage	Current	Frequency	Speed	Frequency receiver
--------	-------------	-------------------	---------	---------	-----------	-------	--------------------

50-Series (Smart by Silent Gliss)

SG 11251	7.5 kg	60 cm	24 V DC	1.5 A	-	32 rpm	-
SG 11252	15 kg	60 cm	24 V DC	2.1 A	-	20 rpm	-

20-Series

SG 10322 (Standard)	15 kg	60 cm	230 V AC	0.73 A	50 Hz	30 rpm	-
SG 10323	15 kg	60 cm	230 V AC	0.73 A	50 Hz	30 rpm	868/915 MHz
SG 10522	7.5 kg	60 cm	230 V AC	0.55 A	50 Hz	30 rpm	-
SG 10523	7.5 kg	60 cm	230 V AC	0.55 A	50 Hz	30 rpm	868/915 MHz

10-Series K

SG 10514	7.5 kg	60 cm	230 V AC	0.52 A	50 Hz	30 rpm	-
----------	--------	-------	----------	--------	-------	--------	---

5-Series

SG 10715	15 kg	60 cm	230 V AC	0.485 A	50-60 Hz	28 rpm	-
----------	-------	-------	----------	---------	----------	--------	---

C. OPERATING METHODS

See catalogue "controls" for details.

Wall Switch



System can be operated by fixed wall switch.

SG Control L



Various radio hand-held and wall transmitters available.



Silent Gliss Move App.

Smart by Silent Gliss



Open designed two-way communication system which allows to flawlessly integrate products with most major building management systems.



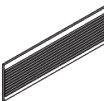
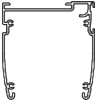




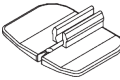

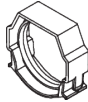


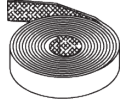
D. WIRING
DIAGRAMS


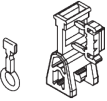
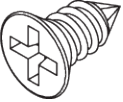


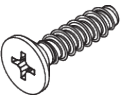


Refer to Silent Gliss website.

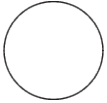
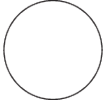
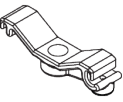
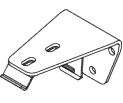

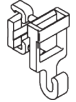

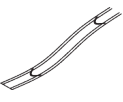
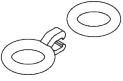

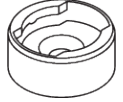


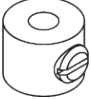
PARTS

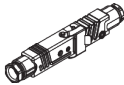
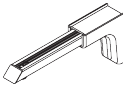
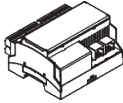
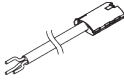
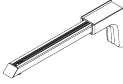
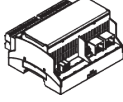

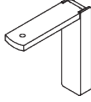
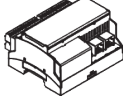

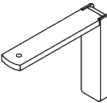
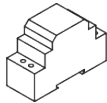

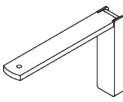
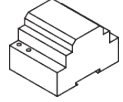

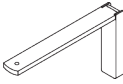
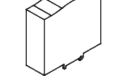

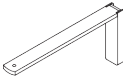
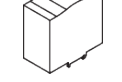

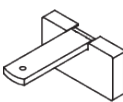

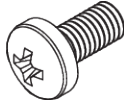
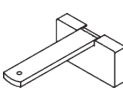
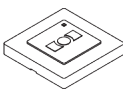
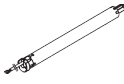
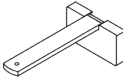


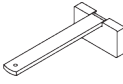


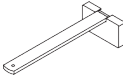


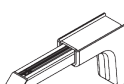

A. STANDARD PARTS

	SG 2004 Bottom bar 20x7 mm
	SG 2216 Cord ø 0.85 mm
	SG 2221 Velcro tape
	SG 2351 Profile
	SG 2352 Profile ø 50 mm
	SG 2353 End cover
	SG 2354 End cover
	SG 2355 Tube adapter
	SG 2357 Pin
	SG 2358 Shell
	SG 2359 Support
	SG 2361 Tube adapter
	SG 2368 Motor plate
	SG 2539 Tape

	SG 3003 Clamp
	SG 3164 Child safety hook set
	SG 10139 Countersunk screw 2.9x6.5
	SG 10284 O-Ring
	SG 10522 Motor 230V AC, 20-Series S 3/30
	SG 11324 PT Screw Countersunk KA35x14

B. OPTIONAL PARTS

	SG 2135 Rod steel ø 3 mm
	SG 2137 Rod fiberglass ø 4 mm
	SG 2362 Side guide wire holder
	SG 2363 Bracket 68 mm
	SG 2521 Bracket
	SG 3055 Hook
	SG 3069 Child safety eyelet
	SG 3074 Loop tape
	SG 3161 Child safety eyelet set
	SG 4948 Side guide wire ø 1.5 mm
	SG 8235 Side guide wire base short
	SG 8236 Side guide wire base long
	SG 8237 Side guide wire holder
	SG 8249 Side guide device

	SG 9916 Hirschmann plug set		SG 11155 Universal Smart Fix 150 mm		SG 11260 Gateway Cedia
	SG 10293 Cable 230V AC, 2/3/5/10 m		SG 11156 Universal Smart Fix 200 mm		SG 11261 Gateway KNX
	SG 10300 Radio hand held 1 channel		SG 11200 Smart Fix 60 mm		SG 11262 Expansion unit
	SG 10302 Radio hand held 5+1 channel		SG 11201 Smart Fix 80 mm		SG 11263 Power supply 24V DC, 2 Ampere DIN Rail
	SG 10303 Radio hand held 10+2+1 channel		SG 11202 Smart Fix 100 mm		SG 11264 Power supply 24V DC, 3.8 Ampere DIN Rail
	SG 10322 Tubular motor 230V AC, 20 Series S 5/30		SG 11203 Smart Fix 120 mm		SG 11265 Power supply 24V DC, 5 Ampere DIN Rail
	SG 10323 Tubular motor 230V AC, 20-Series S 5/30, radio receiver		SG 11204 Smart Fix 150 mm		SG 11266 Power supply 24V DC, 10 Ampere DIN Rail
	SG 10395 Pan head screw M4x6		SG 11210 Square Smart Fix 60 mm		SG 11351 Motor drive 5-Series
	SG 10492 Pan head screw M4x8		SG 11211 Square Smart Fix 80 mm		SG 11480 Radio wall transmitter 1 channel
	SG 10514 Tubular motor 230V AC, 10 Series S 3/30 K		SG 11212 Square Smart Fix 100 mm		SG 11482 Ring
	SG 10523 Motor 230V AC, 20-Series S 3/30, radio receiver		SG 11213 Square Smart Fix 120 mm		SG 11490 Radio wall transmitter 5+1 channel
	SG 10715 Tubular motor 230V AC, 5 Series S 6/28		SG 11214 Square Smart Fix 150 mm		
	SG 10804 Radio hand held 15+5+1 channel		SG 11251 Tubular motor 24V DC, 50-Series S 3/32		
	SG 11154 Universal Smart Fix 120 mm		SG 11252 Tubular motor 24V DC, 50-Series S 6/20		

The Architects of Silence

Silent Gliss is the leading global supplier of premium interior window treatments. Since 1952 we have been tirelessly committed to the development of the worlds` smoothest, quietest systems using state of the art technology.

Driven by customer needs, Silent Gliss offers functional and durable products. Expert technical advice coupled with installation and support services complete the offer. Silent Gliss stands for innovative, sustainable, tailor made solutions, exceptional design and first-class quality.

Silent Gliss Nordic AB

Travbanegatan 9
213 77 Malmö
Sweden
T +46 40 55 52 50
info@silentgliss.se

Byggdøy Allé 111A
0273 Oslo
Norway
T +47 24 11 80 60
info@silentgliss.no

Denmark
T +45 36 77 67 00
info@silentgliss.dk

silentgliss.se
silentgliss.no
silentgliss.dk