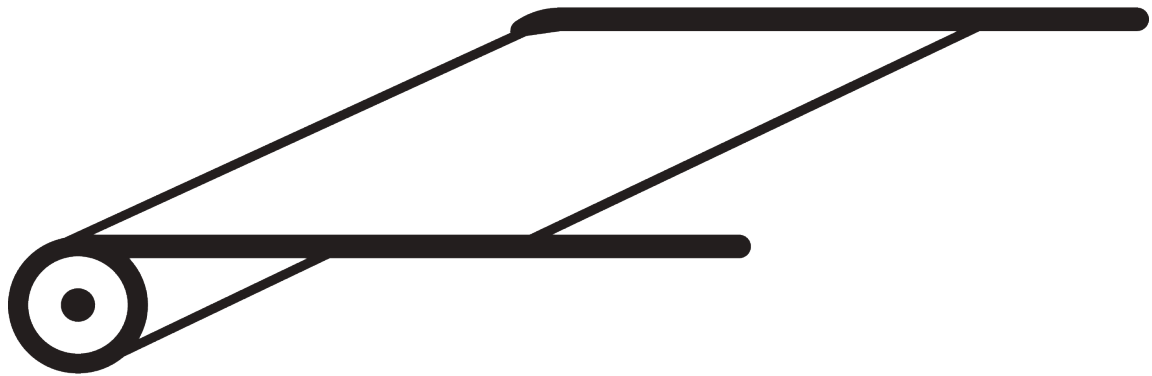


SKYLIGHT SHADING SYSTEMS



GENERAL NOTES

Dimensions

- Measurements are in mm except where indicated.
- Max. kg relates to fabric incl. accessories (cross rods, etc.).
- Stack size depends on fabric make-up where applicable.





Fitting

- Installation by qualified fitter only.
- Number of brackets and fitting positions / fixing points vary depending on fitting surface, system weight, fabric make-up, screw / fixing type and obstacles.
- Qualified fitter must use appropriate screws / fixings for each situation.
- Electrical installations must be carried out according to Silent Gliss wiring diagrams and conform to local regulations.
- Check space for cables and plugs!

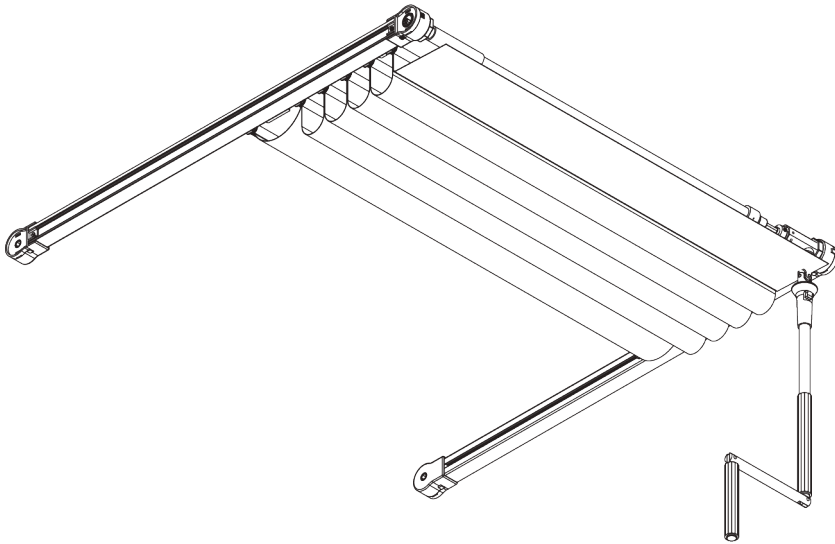
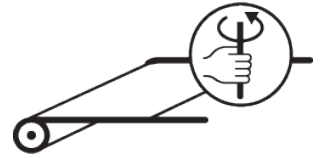
Child Safety

- All relevant Silent Gliss systems correspond to child safety EN 13120.
- All parties involved must comply with EN 13120.

APPLICATION CHART

<u>PAGE</u>	<u>SYSTEM</u>	<u>OPERATION</u>	<u>DIMENSION</u>	← max. →	↑ max. ↓	kg _{max.}
5	SG 2190		S - M	2.5 m	6 m	15 kg
15	SG 2195		S - L	3 m	6 m	25 kg
25	SG 8600		M - L	4 m	6.5 m	
33	SG 8640		S - L	3 m	4.5 m	

SG 2190



PRODUCT INFORMATION

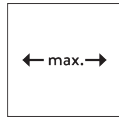
- **Operation:** crank
- **Range:** S - M
- **Fitting:** ceiling, wall
- **Colours:** white RAL 9016 or anodised aluminum, special colours possible
- **Fabrics:** refer to Silent Gliss fabric collection

Features:

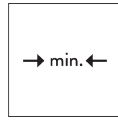
- Bendable
- Sloping
- Cantilever
- Special shapes
- Two connected systems

SYSTEM SPECIFICATIONS

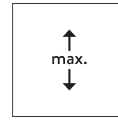
A. SYSTEM DIMENSIONS



Type A: 2.5 m
(plus 0.8 m each side for cantilever)



60 cm



6 m



15 kg



15 m²

Max. system sizes and weights - straight systems

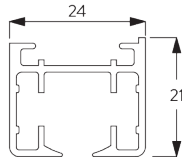
SG 2190	A (m)		B (m)		kg _{max.}	m ² _{max.}	
	Type 1	Type 2/3	Type 1	Type 2/3			Type 1/2/3
	□	1.8	1.8	5	5	15	9
	▢	0.9 / 0.9	0.9 / 0.9	5	5	15	9
	□	2	2	5	5	15	10
	▢	1/1	1/1	5	5	15	10
	□	2.5	2.5	6	6	15	15
	▢	1.5 / 1.5	1.5 / 1.5	6	6	15	18

Bent systems

SG 2190	A (m)		B (m)		kg _{max.}	m ² _{max.}	
	Type 1	Type 2/3	Type 1	Type 2/3			Type 1/2/3
	□	2	2	5	5	15	10
	▢	1/1	1/1	5	5	15	10
	□	2	2	5	5	15	10
	▢	1/1	1/1	4	4	15	8
	□	2	2	4	4	10	8
	▢	1/1	1/1	4	4	10	8

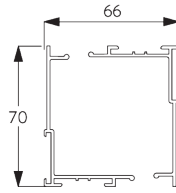
B. PROFILE

Profile and bending information



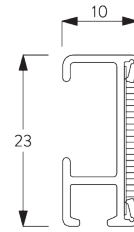
SG 2191

Profile



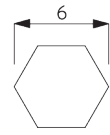
SG 2151

Profile



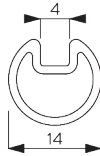
SG 2116

Velcro profile



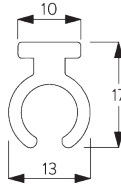
SG 2111

Shaft



SG 2156

Shaft



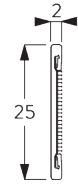
SG 2231

Profile



SG 2246

Rod PVC ø 5 mm



SG 2510

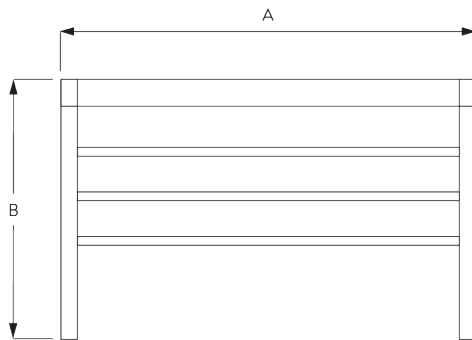
Velcro profile



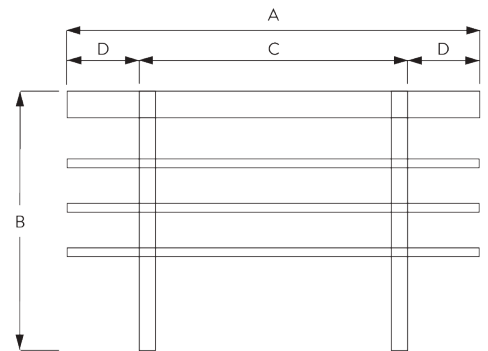
SG 2759

Profile

C. HOW TO MEASURE



A: System width
B: System height



A: System width
B: System height
C: Base system
D: Cantilever max. 80 cm

D. SPECIFICATION

TEXT

EN

Silent Gliss SG 2190 Crank Handle Operated Skylight System. Supplied made to measure and complete comprising cassette SG 2151, detachable crank handle SG 2746, Glider 2145, Cross rods SG 2759. Aluminium side guide profiles SG 2191 in silver / white / bronze / black side fixed with SG 3825 clamps at 30cm centres. Can be single or double system. Left- or right-hand operation. Relevant fabric to be chosen from the Silent Gliss fabric range, Price Group 1-4.

SV

Silent Gliss takfönstersystem SG 2190 med vevmanövrering. Levereras komplett i specificerat mått innefattande kassett SG 2151, avtagbar vev SG 2746, glid SG 2145, tvärstag SG 2759. Sidoprofiler SG 2191 av aluminium i vitt eller alu natur monterade med vridfästen SG 3825 evt. i kombination med vinkel SG 3036. 30 cm c/c. Enkelt eller dubbelt system kan manövreras med 1 Vev som monteras i vänster eller höger sida. Textil från Silent Gliss textilprogram i prisgrupp 1-4 godkänd för användning med systemet.

NO

Silent Gliss SG 2190. Takvindu system for manuell betjening med sveiv. Leveres komplett på spesifisert mål. Består av kassett SG 2151 med avtakbar sveiv SG 2746, tverrstag SG 2759. Sideprofil SG 2191 av aluminium i hvit eller alu natur, monteres med vri-fester SG 3825 evt. i kombinasjon med vinkel SG 3036. 30 cm c/c. Enkel eller dobbelt system kan manøvreres med 1 sveiv som monteres på venstre eller høyre side. Tekstiler fra Silent Gliss tekstilprogram i prisgruppe 1-4.

DA

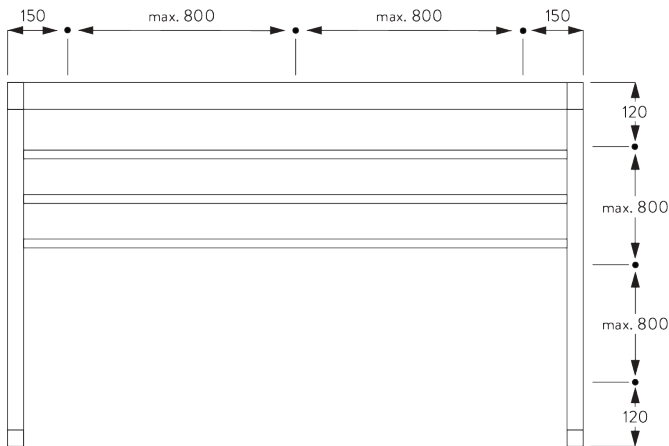
Silent Gliss SG 2190 tagvinduesystem med håndsving. Leveres i ønsket længde og komplet, bestående af kassette SG 2151, aftageligt håndtag til håndsving, SG 2746, glider 2145, tværstænger SG 2759. Sideprofiler af aluminium SG 2191 i sølv / hvidt / bronze / sort side fastgjort med klemmer SG 3825 med 30 cm afstand. Kan være et enkelt eller dobbelt system. Betjenes med venstre eller højre hånd. Relevant stof vælges fra Silent Gliss stofprogrammet, prisgruppe 1-4.

FITTING

A. FITTING INFORMATION

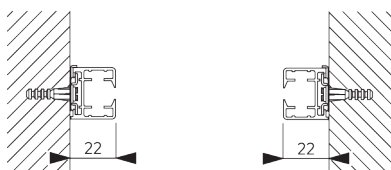
Fixing points

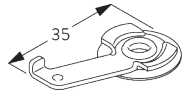
For detailed fitting information, visit the [Silent Gliss website](#).



B. INSIDE FITTING

Clamp SG 3825



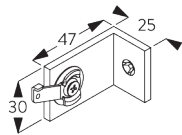
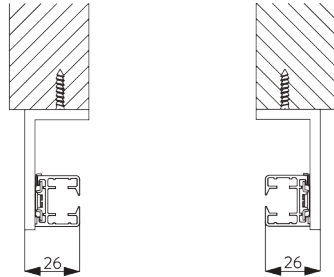


SG 3825

Clamp

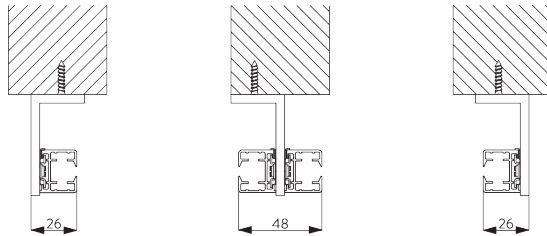
C. FACE FITTING

**Bracket SG 3181 /
SG 3182**

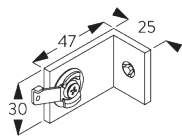


SG 3181

Bracket 1 clamp

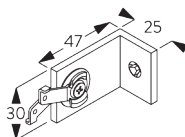


Double system



SG 3181

Bracket 1 clamp

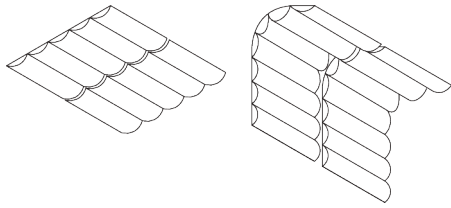


SG 3182

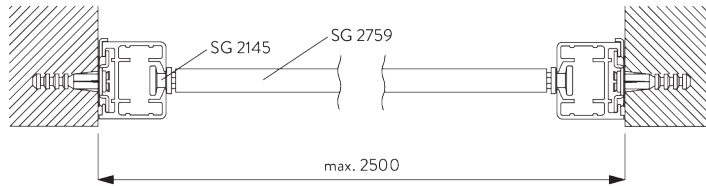
Bracket 2 clamps

SYSTEM OPTIONS

A. TWO CONNECTED SYSTEMS

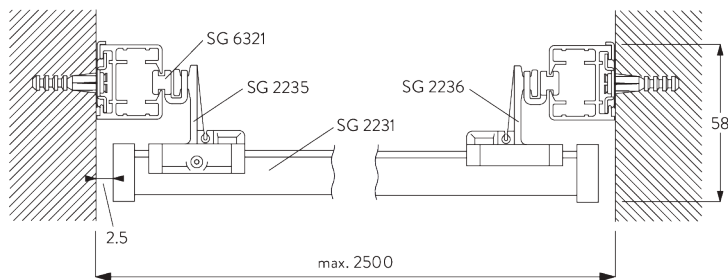


B. INSTALLATION OPTIONS



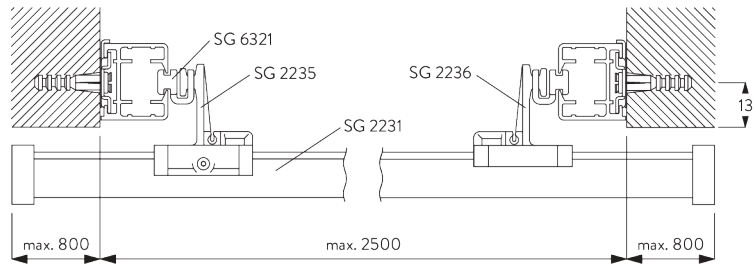
Type 1

- SG 2145: Glider
- SG 2759: Profile



Type 2 (Profiles covered)

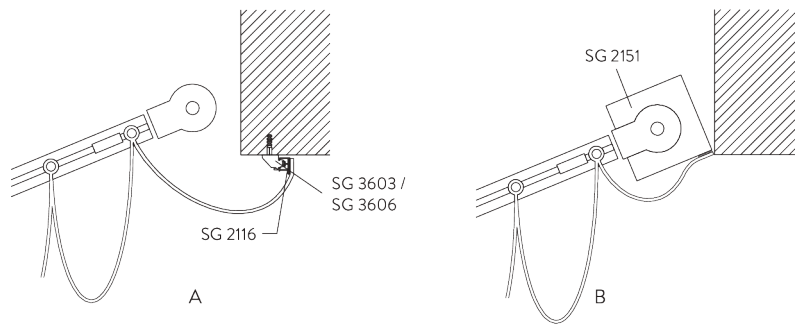
- SG 2231: Profile
- SG 2235: Glider with screw
- SG 2236: Glider without screw
- SG 6321: Glider



Type 3 (Cantilever version to cover side profiles)

- SG 2231: Profile
- SG 2235: Glider with screw
- SG 2236: Glider without screw
- SG 6321: Glider

C. FABRIC FIXING

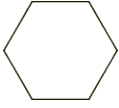
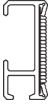
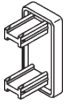
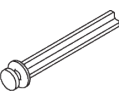

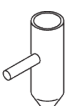
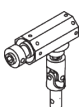
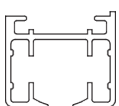
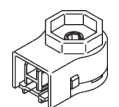
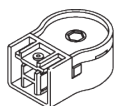
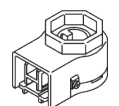
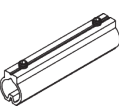
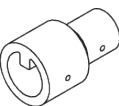
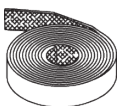


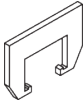
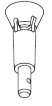

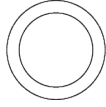
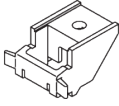
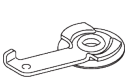
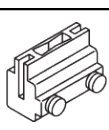
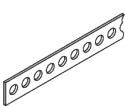
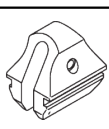
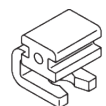
A: Fixing of fabric with profile SG 2116 (standard)

B: Fixing of fabric directly on headrail cassette

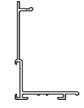
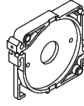
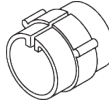



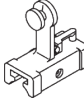
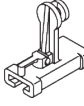
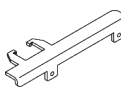
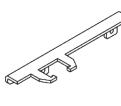
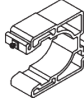
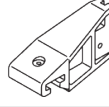

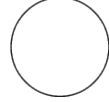
PARTS

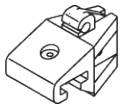
A. STANDARD PARTS

	SG 2111 Shaft
	SG 2116 Velcro profile
	SG 2131 End cover
	SG 2145 Glider
	SG 2156 Shaft
	SG 2182 Sleeve
	SG 2189 Crank drive
	SG 2191 Profile
	SG 2192 Drive
	SG 2193 Guide return
	SG 2230 Drive
	SG 2242 Connector
	SG 2244 Connector
	SG 2539 Tape

	SG 2613 Connector
	SG 2754 Detachable crank hood
	SG 2756 Crank handle
	SG 2759 Profile
	SG 3603 Bracket
	SG 3825 Clamp
	SG 5005 Belt connector
	SG 5130 Driving belt
	SG 6086 Spring stop
	SG 6321 Glider

B. OPTIONAL PARTS

	SG 2151 Profile
	SG 2152 Bearing shell
	SG 2153 Pulley
	SG 2176 Crank drive
	SG 2181 Support
	SG 2231 Profile
	SG 2235 Cross glider
	SG 2236 Cross profile glider
	SG 2237 Overlap arm right
	SG 2238 Overlap arm left
	SG 2239 Guide
	SG 2241 Halter
	SG 2243 End cover
	SG 2246 Rod PVC ø 5 mm



SG 2249

Holder



SG 2510

Velcro profile



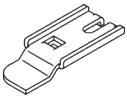
SG 2742

Crank joint



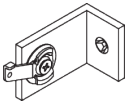
SG 3004

Clamp



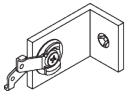
SG 3041

Bracket



SG 3181

Bracket 1 clamp



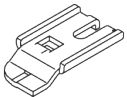
SG 3182

Bracket 2 clamps



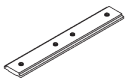
SG 3606

Clip



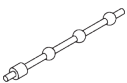
SG 3832

Bracket



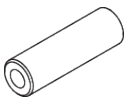
SG 5115

Connection bridge



SG 6322

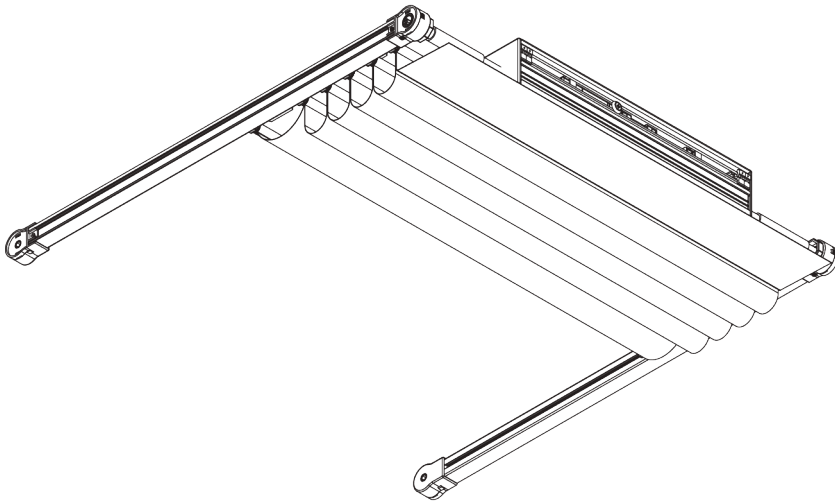
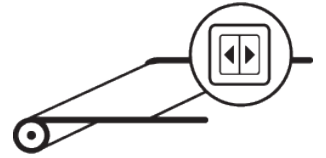
Distance cord



SG 6796

Spring pin 4x12 DIN 1481

SG 2195



PRODUCT INFORMATION

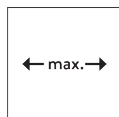
- **Operation:** motorised
- **Range:** S - L
- **Fitting:** ceiling, wall
- **Colours:** white RAL 9016 or anodised aluminum, special colours possible
- **Fabrics:** refer to Silent Gliss fabric collection

Features:

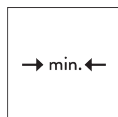
- Bendable
- Sloping
- Cantilever
- Special shapes
- Three connected systems
- Various control options

SYSTEM SPECIFICATIONS

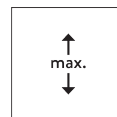
A. SYSTEM DIMENSIONS



3 m
(plus 0.8 m each side for cantilever)



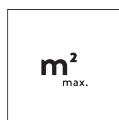
60 cm



6 m



25 kg



18 m²

Max. system sizes and weights - straight systems

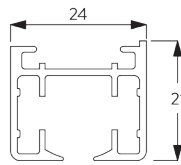
SG 2195	A (m)		B (m)		kg _{max.}	m ² _{max.}	
	Type 1	Type 2/3	Type 1	Type 2/3	Type 1/2/3	Type 1/2/3	
	□	2.5	3	6	6	18	18
	▢	2 / 2	2 / 2	6	6	18	24
	▣	1.2 / 1.2 / 1.2	1.2 / 1.2 / 1.2	5	5	18	18
 $\triangle \text{max. } 45^\circ$	□	2.5	3	6	6	25	18
	▢	2.5 / 2.5	2.5 / 2.5	6	6	25	30
	▣	2 / 2 / 2	2 / 2 / 2	6	6	25	36
	□	2.5	3	6	6	25	18
	▢	2.5 / 2.5	2.5 / 2.5	6	6	25	30
	▣	2 / 2 / 2	2 / 2 / 2	6	6	25	36

Bent systems

SG 2195	A (m)		B (m)		kg _{max}	m ²
	Type 1	Type 2/3	Type 1	Type 2/3	Type 1/2/3	Type 1/2/3
		2.5	2.5	6	6	18
	2 / 2	2 / 2	6	6	18	24
	1.2 / 1.2 / 1.2	1.2 / 1.2 / 1.2	6	6	18	21.6
	2.5	2.5	6	6	18	15
	1.5 / 1.5	1.5 / 1.5	5	5	18	15
	0.8 / 0.8 / 0.8	0.8 / 0.8 / 0.8	5	5	18	12
	2.5	2.5	4	4	15	10
	1.5 / 1.5	1.5 / 1.5	4	4	15	12
	0.8 / 0.8 / 0.8	0.8 / 0.8 / 0.8	3	3	15	7.2

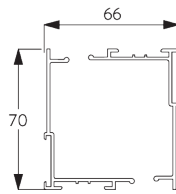
B. PROFILE

Profile and bending information

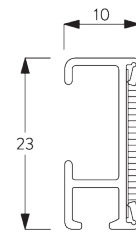


SG 2191
Profile

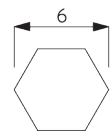
Radius:
✓ >25 cm



SG 2151
Profile



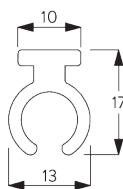
SG 2116
Velcro profile



SG 2111
Shaft



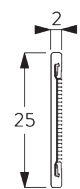
SG 2156
Shaft



SG 2231
Profile



SG 2246
Rod PVC ø 5 mm

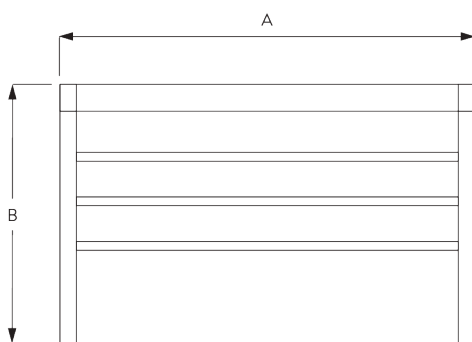


SG 2510
Velcro profile

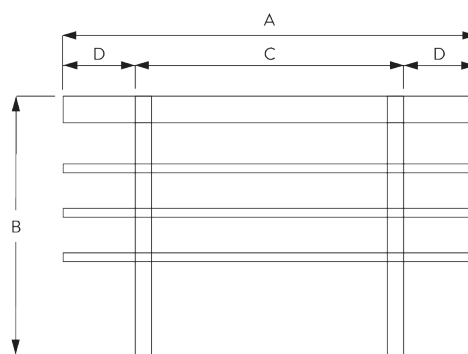


SG 2759
Profile

C. HOW TO MEASURE



A: System width
B: System height



A: System width
B: System height
C: Base system
D: Cantilever max. 80 cm

D. SPECIFICATION

TEXT

EN

Silent Gliss SG 2195 Electrically Operated Skylight System. Supplied made to measure and complete comprising cassette SG 2151 with enclosed motor SG 2160 complete with drive shaft SG 2156, Glider 2145, Cross rods SG 2759. Aluminium side guide profiles SG 2191 in white or alu finish fixed with SG 3825 clamps at 30cm centres. Can be single, double or triple operation from one motor controlled by fixed switch / third party control system subject to suitable interface by others party / Silent Gliss SG 9940 radio control systems via external receiver. All wiring to be strictly in accordance with Silent Gliss wiring diagrams. Relevant fabric to be chosen from the Silent Gliss fabric range, Price Group 1-4.

SV

Silent Gliss takfönstersystem SG 2195 med motor. Levereras komplett i specificerat mått innefattande kassett SG 2151 komplett med motor SG 2160 med drivstag SG 2156 tvärstag SG 2759. Sidoprofiler SG 2191 av aluminium i vitt eller alu natur monterade med vridfästen SG 3825 evt. i kombination med vinkel SG 3036. 30 cm c/c. Upp till 3 system kan kopplas samman och styras via väggkontakt/ via fjärrkontroll system SG 9940 eller via externt styrsystem. Radiokomponenter mot tillägg. All elinstallation skall följa Silent Gliss kopplingschema. Textil från Silent Gliss textilprogram i prisgrupp 1-4 godkänd för användning med systemet.

NO

Silent Gliss SG 2195 Elektrisk styrt takvindusystem. Leveres komplett på spesifisert mål. Består av kassett SG 2151 komplett med motor SG 2160, drivstag SG 2156 og tverrstag SG 2759. Sideprofil SG 2191 av aluminium i hvit eller alu natur, monteres med vri-fester SG 3825 evt. i kombinasjon med vinkel SG 3036. 30 cm c/c. inntil 3 system kan kobles sammen og styres via veggbryter, fjernkontroll system SG 9940 eller via eksternt styringsystem. Radiokomponenter kommer i tillegg. Silent Gliss koblingskjema skal følges ved alle el-installasjoner. Tekstiler fra Silent Gliss tekstilprogram er godkjent for produktet, prisgruppe 1-4.

DA

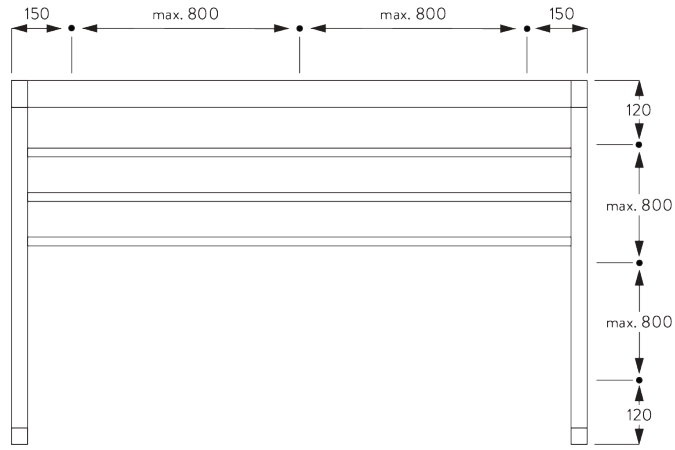
Silent Gliss SG 2195 elektrisk tagvinduesystem. Leveres i ønsket længde og komplet, bestående af kassette SG 2151 medfølgende motor SG 2160, komplet med drivaksel SG 2156, glider 2145, tværstænger SG 2759. Sideprofiler af aluminium SG 2191 i hvidt eller aluminium finish, fastgjort med klemmer SG 3825 med 30 cm afstand. Kan styres enkelt, dobbelt eller tredoblet fra en motor styret af en fast kontakt / tredjeparts styresystem, forudsat at der er en passende grænseflade fra en tredjepart til rådighed / Silent Gliss SG 9940 radiokontrolsystem gennem ekstern modtager. Al ledningsføring skal udelukkende vælges i henhold til Silent Gliss ledningsdiagrammer. Relevant stof vælges fra Silent Gliss stofprogrammet, prisgruppe 1-4.

FITTING

A. FITTING INFORMATION

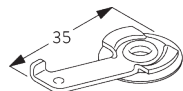
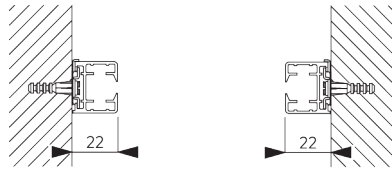
For detailed fitting information, visit the Silent Gliss website.

Fixing points



B. INSIDE FITTING

Clamp SG 3825

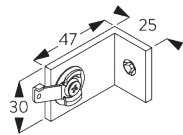
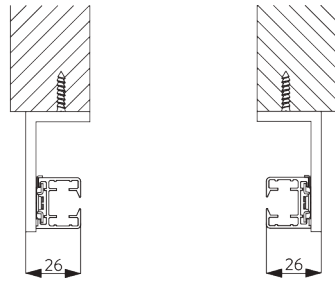


SG 3825

Clamp

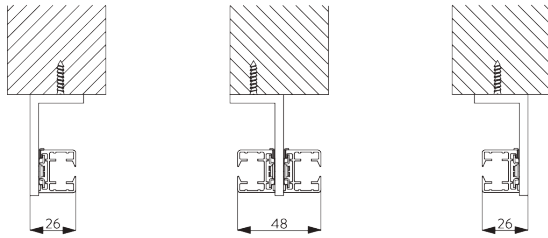
C. FACE FITTING

Bracket SG 3181 / SG 3182

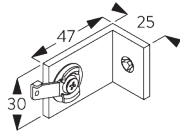


SG 3181

Bracket 1 clamp

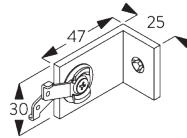


Double system



SG 3181

Bracket 1 clamp

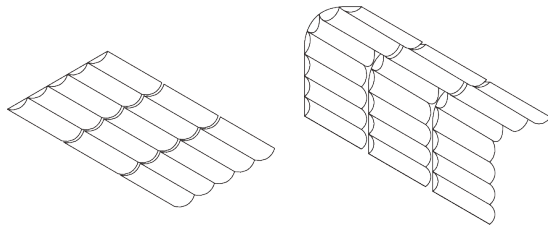


SG 3182

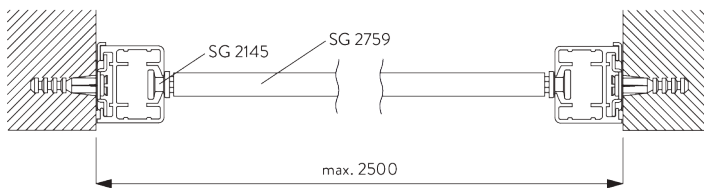
Bracket 2 clamps

SYSTEM OPTIONS

A. TWO OR THREE CONNECTED SYSTEMS

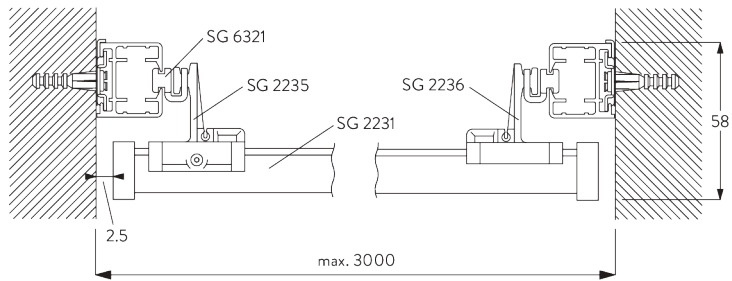


B. INSTALLATION OPTIONS



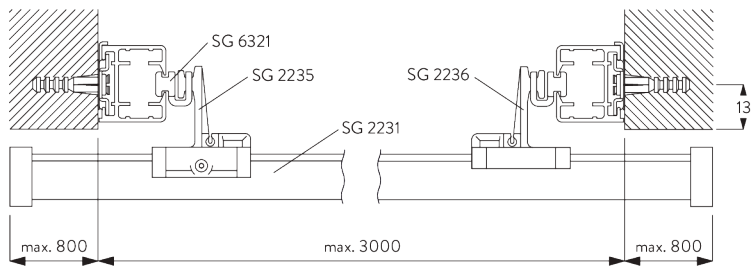
Type 1

- SG 2145: Glider
- SG 2759: Profile



Type 2 (Profiles covered)

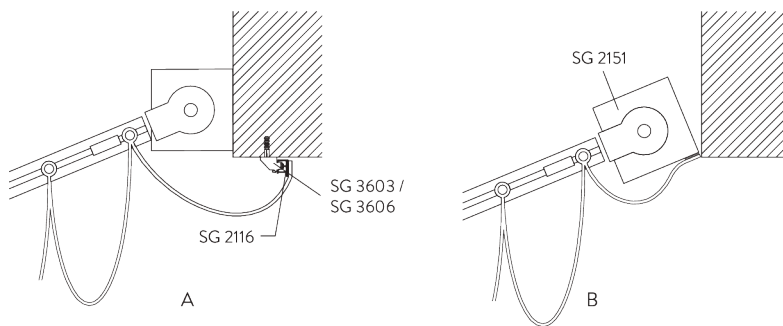
- SG 2231: Profile
- SG 2235: Glider with screw
- SG 2236: Glider without screw
- SG 6321: Glider



Type 3 (Cantilever version to cover side profiles)

- SG 2231: Profile
- SG 2235: Glider with screw
- SG 2236: Glider without screw
- SG 6321: Glider

C. FABRIC FIXING



A: Fixing of fabric with profile SG 2116 (standard)

B: Fixing of fabric directly on headrail cassette

MOTOR & CONTROLS

A. MOTOR FEATURES

Motors	SG 2160
Motor Features	
Mechanical end-stop	•
Mechanical revolution counter (limited revolution)	•
Noiseless stop	•
IP class	IP 44
Control Features	
Mains power control	•
SG Control L (external receiver required)	•
Suitable for most major home automation systems (with suitable interface)	•

B. MOTOR SPECIFICATIONS

Motors	Voltage	Current	Frequency	Speed
SG 2160	230 V AC	0.5 A	50 Hz	26 rpm

C. OPERATING METHODS

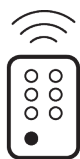
See catalogue "controls" for details.

Wall Switch



System can be operated by fixed wall switch.

SG Control L



Various radio hand-held and wall transmitters available. An external receiver is required.



Silent Gliss Move App.

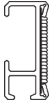
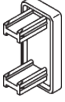
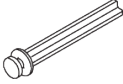

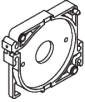
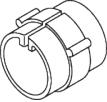


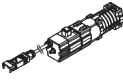
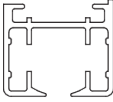
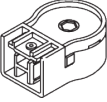
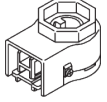
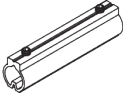
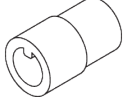
D. WIRING DIAGRAMS

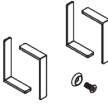
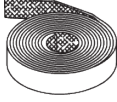
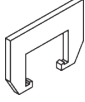
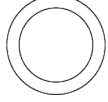
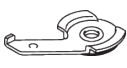
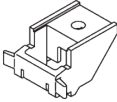

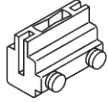
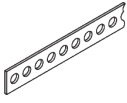

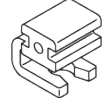
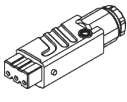


Refer to Silent Gliss website.


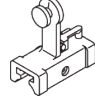
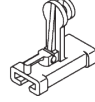
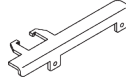
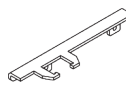
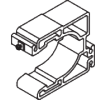
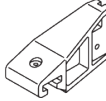

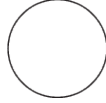


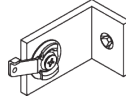
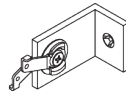

PARTS

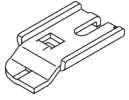
A. STANDARD PARTS

	SG 2116 Velcro profile
	SG 2131 End cover
	SG 2145 Glider
	SG 2151 Profile
	SG 2152 Bearing shell
	SG 2153 Pulley
	SG 2154 End cover
	SG 2156 Shaft
	SG 2160 Motor 230V AC, JA 06/26 soft
	SG 2191 Profile
	SG 2193 Guide return
	SG 2230 Drive
	SG 2242 Connector
	SG 2245 Shaft connector

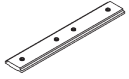
	SG 2247 Set Elero 230V
	SG 2539 Tape
	SG 2613 Connector
	SG 2759 Profile
	SG 3004 Clamp
	SG 3603 Bracket
	SG 3825 Clamp
	SG 5005 Belt connector
	SG 5130 Driving belt
	SG 6086 Spring stop
	SG 6321 Glider
	SG 9917 Hirschmann portable socket-outlet STAK 3 N

B. OPTIONAL PARTS

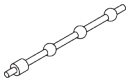
	SG 2231 Profile
	SG 2235 Cross glider
	SG 2236 Cross profile glider
	SG 2237 Overlap arm right
	SG 2238 Overlap arm left
	SG 2239 Guide
	SG 2241 Halter
	SG 2243 End cover
	SG 2246 Rod PVC ø 5 mm
	SG 2249 Holder
	SG 2510 Velcro profile
	SG 3181 Bracket 1 clamp
	SG 3182 Bracket 2 clamps
	SG 3606 Clip

**SG 3832**

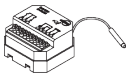
Bracket

**SG 5115**

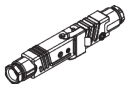
Connection bridge

**SG 6322**

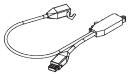
Distance cord

**SG 9068**

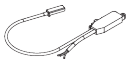
Radio receiver Revio

**SG 9916**

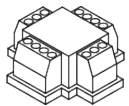
Hirschmann plug set

**SG 9944**

Radio receiver 1 channel

**SG 9945**

Radio receiver 1 channel

**SG 9959**

Central control unit relay

**SG 10300**

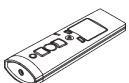
Radio hand held 1 channel

**SG 10302**

Radio hand held 5+1 channel

**SG 10303**

Radio hand held 10+2+1 channel

**SG 10804**

Radio hand held 15+5+1 channel

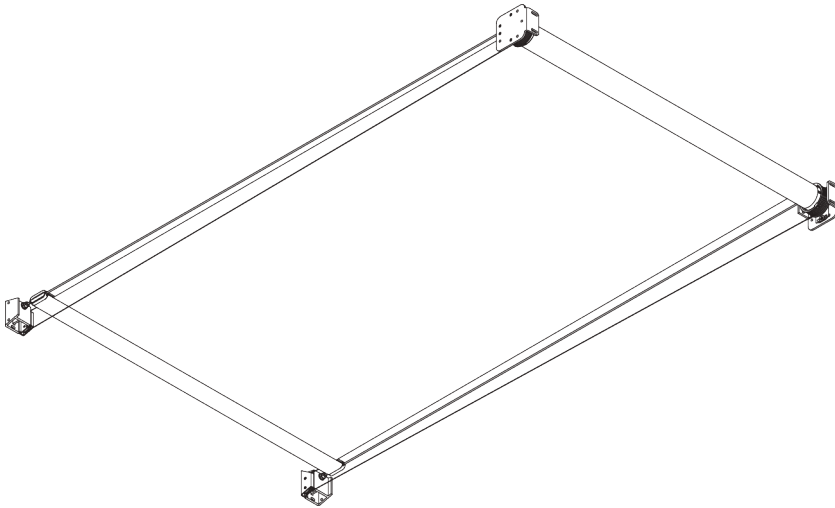
**SG 11480**

Radio wall transmitter 1 channel

**SG 11490**

Radio wall transmitter 5+1 channel

SG 8600



PRODUCT INFORMATION

- **Operation:** motorised
- **Range:** M - L
- **Fitting:** ceiling, wall
- **Colours:** white RAL 9016 or anodised aluminum, special colours possible
- **Fabrics:** refer to Silent Gliss fabric collection

Features:

- Tensioned roller blind
- Various control options
- Any angle

SYSTEM SPECIFICATIONS

A. SYSTEM DIMENSIONS



4 m



M: 87 cm
L: 108 cm



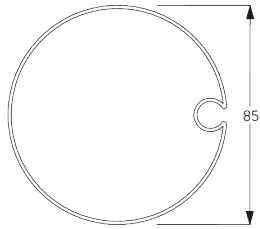
M: 3 m
L: 6.5 m



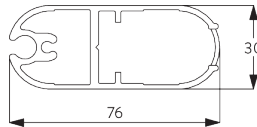
18 m²

B. PROFILE

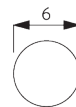
Profile information



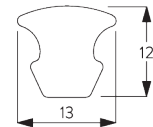
SG 8601
Tube ø 85 mm



SG 8602
Bottom bar

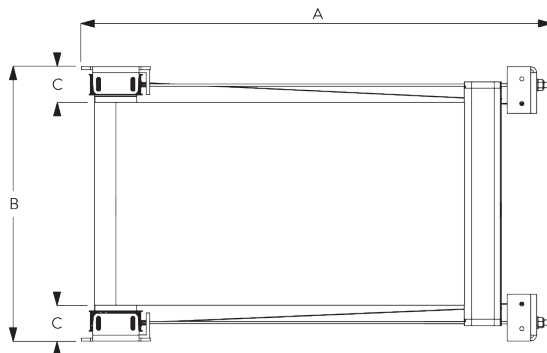


SG 8618
Fabric rod ø 6 mm



SG 8626
Cover strip

C. HOW TO MEASURE



A: System length
B: System width
C: Light gap: 75 mm

Pulling force per bracket: approx. 100 kg

D. SPECIFICATION

TEXT

EN

Silent Gliss SG 8600 Electrically Operated Tensioned Roller Blind System. Supplied made to measure and complete comprising (key components) aluminium barrel SG 8601, motor SG 8605, tension wire SG 8619, spring set SG 8603 / 8605. Can be controlled by fixed switch / third party control system subject to suitable interface by others/ Silent Gliss SG 9940 radio control systems via external receiver. All radio control components supplied at additional cost. All wiring to be strictly in accordance with Silent Gliss wiring diagrams. Fabric to be chosen from the Silent Gliss fabric range.

SV

Silent Gliss takfönstersystem SG 8600 med motor. Levereras i kundens mått komplett med aluminium rör SG 8601, motor SG 8605, spännwire SG 8619, fjäderkomponenter SG 8603/ 8605. Montering i bakkant och framkant eller mot tak. Kan styras via väggkontakt/ via fjärrkontroll system SG 9940 eller via externt styrsystem. Radiokomponenter mot tillägg. All elinstallation skall följa Silent Gliss kopplingschema. Textil från Silent Gliss textilprogram godkänd för användning med systemet.

NO

Silent Gliss SG 8600 Elektrisk styrt rullegardin for takvindu. Leveres komplett på spesifisert mål. Består av aluminiumsrør SG 8601, motor SG 8605 spennwire SG 8619, fjærkomponent SG8603 / SG 8605. Montering i bakkant, fremkant eller mot tak? Kan styres via bryter, fjernkontroll system SG 9940 eller via eksternt styringsystem. Radiokomponenter kommer i tillegg. Silent Gliss koblingskjema skal følges ved alle el-installasjoner. Tekstiler fra Silent Gliss tekstilprogram er godkjent for produktet, prisgruppe 1-4.

DA

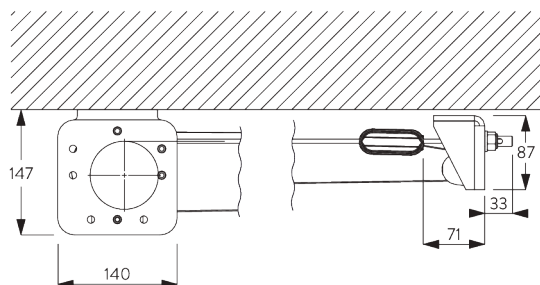
Silent Gliss SG 8600 elektrisk styret spændt rullegardinsystem. Leveres i ønsket længde og komplet, bestående af (hovedkomponenter) aluminiumrør SG 8601, motor SG 8605, spændewire SG 8619, fjedersæt SG 8603 / SG 8605. Kan styres af en fast kontakt / tredjeparts styresystem, forudsat at der er en passende grænseflade fra en tredjepart til rådighed / Silent Gliss SG 9940 radiokontrolsystem gennem ekstern modtager. Alle komponenter til radiostyring leveres mod ekstra betaling. Al ledningsføring skal udelukkende vælges i henhold til Silent Gliss ledningsdiagrammer. Stoffet vælges fra Silent Gliss stofprogrammet.

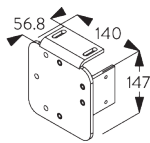
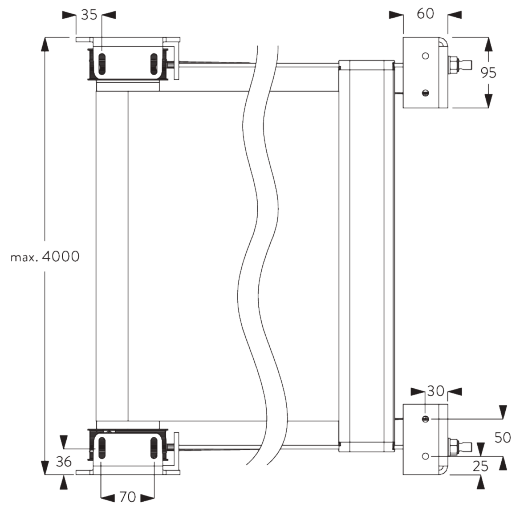
FITTING

A. FITTING INFORMATION

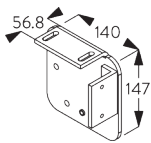
For detailed fitting information, visit the Silent Gliss website.

B. CEILING FITTING

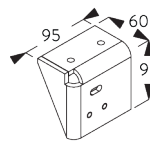




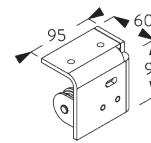
SG 8606
Roller bracket ceiling left



SG 8607
Roller bracket ceiling right

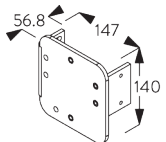
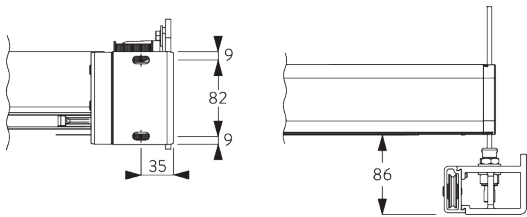
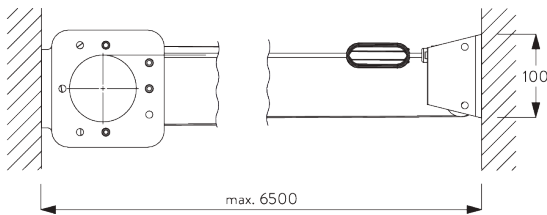


SG 8608
Pulley bracket ceiling left

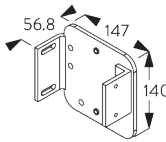


SG 8609
Pulley bracket ceiling right

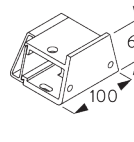
C. WALL FITTING



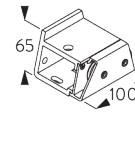
SG 8611
Roller bracket wall left



SG 8612
Roller bracket wall right



SG 8621
Pulley bracket side/back left



SG 8622
Pulley bracket side/back right

MOTORS & CONTROLS

A. MOTOR FEATURES

Motors	SG 8605
Motor Features	
Mechanical end-stop	●
Mechanical revolution counter (limited revolution)	●
IP class	IP 44
Control Features	
Mains power control	●
SG Control L (external receiver required)	●
Suitable for most major home automation systems (with suitable interface)	●

B. MOTOR SPECIFICATIONS

Motors	Voltage	Current	Frequency	Speed
SG 8605	230 V AC	0.65 A	50 Hz	17 rpm

C. OPERATING METHODS

See catalogue "controls" for details.

Wall Switch



System can be operated by fixed wall switch.

SG Control L



Various radio hand-held and wall transmitters available. An external receiver is required.



Silent Gliss Move App.

D. WIRING DIAGRAMS



Refer to Silent Gliss website.

PARTS

A. STANDARD PARTS



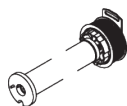
SG 8601

Tube ø 85 mm



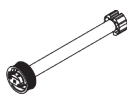
SG 8602

Bottom bar



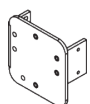
SG 8604

Spring long



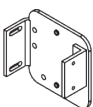
SG 8605

Motor 230V AC, 17/15



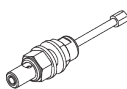
SG 8611

Roller bracket wall left



SG 8612

Roller bracket wall right



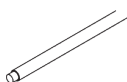
SG 8616

Wire guide set



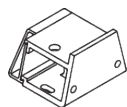
SG 8618

Fabric rod ø 6 mm



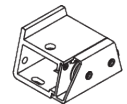
SG 8619

Tension wire ø 1.5 mm



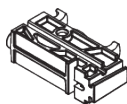
SG 8621

Pulley bracket side/back left



SG 8622

Pulley bracket side/back right



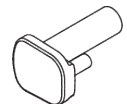
SG 8623

Bottom bar pulley



SG 8624

End cover



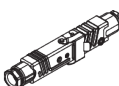
SG 8625

Fabric spacer



SG 8626

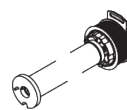
Cover strip



SG 9916

Hirschmann plug set

B. OPTIONAL PARTS



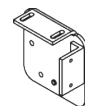
SG 8603

Spring short



SG 8606

Roller bracket ceiling left



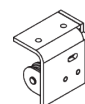
SG 8607

Roller bracket ceiling right



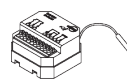
SG 8608

Pulley bracket ceiling left



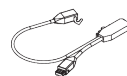
SG 8609

Pulley bracket ceiling right



SG 9068

Radio receiver Revio



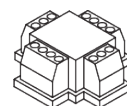
SG 9944

Radio receiver 1 channel



SG 9945

Radio receiver 1 channel



SG 9959

Central control unit relay



SG 10300

Radio hand held 1 channel



SG 10302

Radio hand held 5+1 channel



SG 10303

Radio hand held 10+2+1 channel



SG 10804

Radio hand held 15+5+1 channel



SG 11480

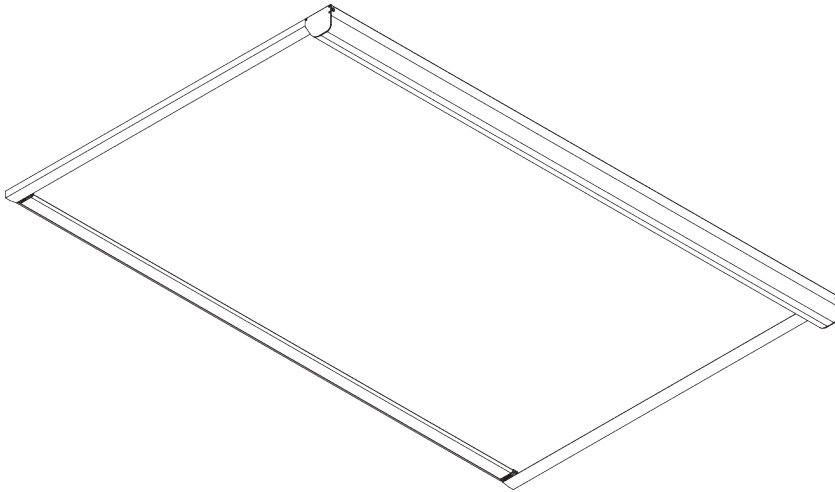
Radio wall transmitter 1 channel



SG 11490

Radio wall transmitter 5+1 channel

SG 8640



PRODUCT INFORMATION

- **Operation:** motorised
- **Range:** S - L
- **Fitting:** ceiling, wall, recess
- **Colours:** white RAL 9016, special colours possible
- **Fabrics:** refer to Silent Gliss fabric collection

Features:

- Tensioned roller blind
- Various control options
- Any angle
- Fabric Zip technology
- Dim Out with appropriate fabric selection

SYSTEM SPECIFICATIONS

A. SYSTEM DIMENSIONS



3 m



65 cm



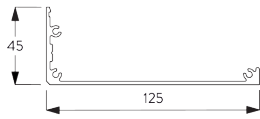
Headbox S / M: 3 m
Headbox L: 4.5 m



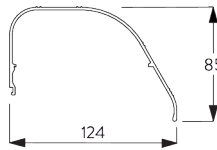
Headbox S / M: 9 m²
Headbox L:
13 m² / 11 m²

B. PROFILE

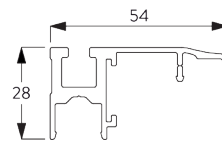
Profile information



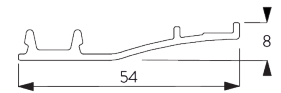
SG 8641
Box case S/M 105x125 mm



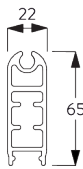
SG 8642
Box cover S/M 105x125 mm



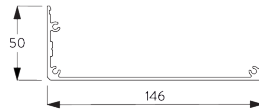
SG 8643
Side guide case inside fitting



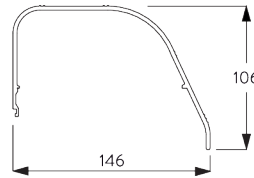
SG 8644
Side guide cover



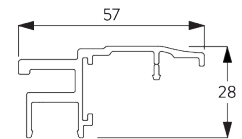
SG 8645
Bottom bar



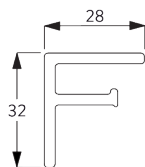
SG 8661
Box case Large 126x146 mm



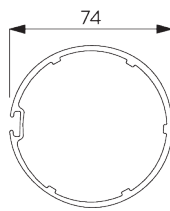
SG 8662
Box cover Large 126x146 mm



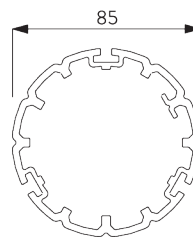
SG 8663
Side guide case inside fitting



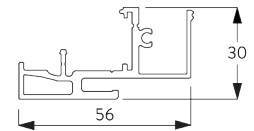
SG 8664
Side guide profile inside fitting



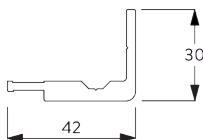
SG 8665
Tube ø 74 mm



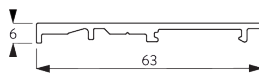
SG 8666
Tube Large ø 85 mm



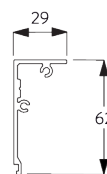
SG 8672
Side guide case



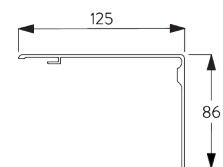
SG 8673
Concealed side guide profile



SG 8674
Concealed side guide cover

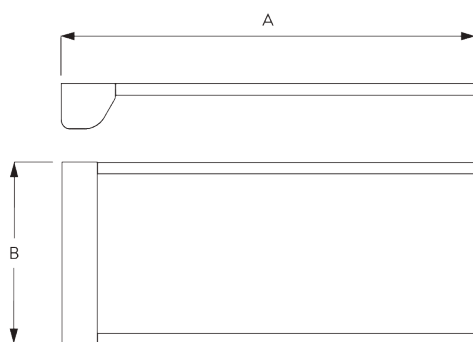


SG 8677
Concealed box cover 105x125 mm



SG 8678
Concealed box cover lid 105x125 mm

C. HOW TO MEASURE



A: System length
B: System width

D. SPECIFICATION TEXT

EN

Silent Gliss SG 8640 Electrically Operated Tensioned Dimout / Solar Screening Roller Blind System. Supplied made to measure and complete comprising (key components) motor SG 8657 / SG 8658 , zip profile SG 8659 - System S/M - Box cover SG 8642, box case SG 8641, aluminium tube SG 8665/ System L - box cover 8662, box case SG 8661, aluminium tube SG 8666. Inside fix - Side guide case SG 8663, side guide profile SG 8664. Face fix - side guide case SG 8643, Side guide cover SG 8644. Concealed recess fix option with box covers SG 8677, SG 8678 side guide case SG 8672, side guide profile SG 8673 and side guide cover SG 8674. Controlled via fixed switch / third party control system subject to suitable interface by others/ SG radio control systems SG 9940 / SG 0450 with external receiver. All radio control components supplied at additional cost. All wiring to be strictly in accordance with Silent Gliss wiring diagrams. Fabric to be chosen from the Silent Gliss fabric range, Price Group 1 / price group 2.

SV

Silent Gliss SG 8640 mörkläggnings/solavskärminingssystem med motor. Levereras i kundmått inkluderande motor SG 8657 / SG 8658, zip profil SG 8659 - System S/M - Kassett kåpa SG 8642, kassett SG 8641, aluminiumrör SG 8665 / System L - kassett kåpa 8662, kassett SG 8661, aluminiumrör SG 8666. Nisch montering - Sidoprofil kåpa SG 8663, sidoprofil SG 8664. Utanpåliggande montering - sidoprofil SG 8643, Sidoprofil kåpa SG 8644. Dold infälld montering med kassett kåpor SG 8677, SG 8678 sidoprofil kåpa SG 8672, sidoprofil SG 8673 and sidoprofil kåpa SG 8674. Kan styras via väggkontakt/ via fjärrkontroll system SG 9940 eller via externt styrsystem. Radiokomponenter mot tillägg. All elinstallation skall följa Silent Gliss kopplingschema. Textil från Silent Gliss textilprogram prisgrupp 1 / 2 godkänd för användning med systemet.

NO

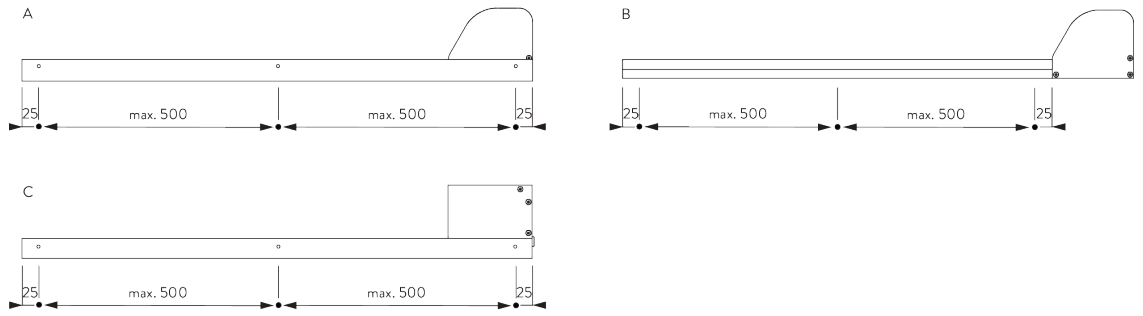
Silent Gliss SG8640 mørklægging-/ solavskjermingssystem med motor. Leveres måltilpasset. Motor SG 8657 / SG 8658 , zip profil SG 8659 - System S/M - Kassett kåpe SG 8642, kassett SG 8641, aluminiumsrør SG 8665 / System L - kassett kåpe SG 8662, kassett SG 8661, aluminiumsrør SG 8666. Nisjemontering - Sideprofil kåpe SG 8663, sideprofil SG 8664. Utenpåliggende montering - sideprofil SG 8643, Sideprofil kåpe SG 8644. Skjult innfelling montering med kassett kåper SG 8677, SG 8678 sideprofil kåpe SG 8672, sideprofil SG 8673 og sideprofil kåpa SG 8674. Kan styres via veggbryter/ via fjernkontroll system SG 9940 eller via eksternt styringssystem. Radiokomponenter mot tillegg. Alle elektrisk installasjon skal tilkoples i.h.t. Silent Gliss koplingskjema. Tekstil fra Silent Gliss tekstilkolleksjon prisgruppe 1 / 2 er godkjent for bruk på systemet.

FITTING

A. FITTING INFORMATION

Fixing points

For detailed fitting information, visit the Silent Gliss website.

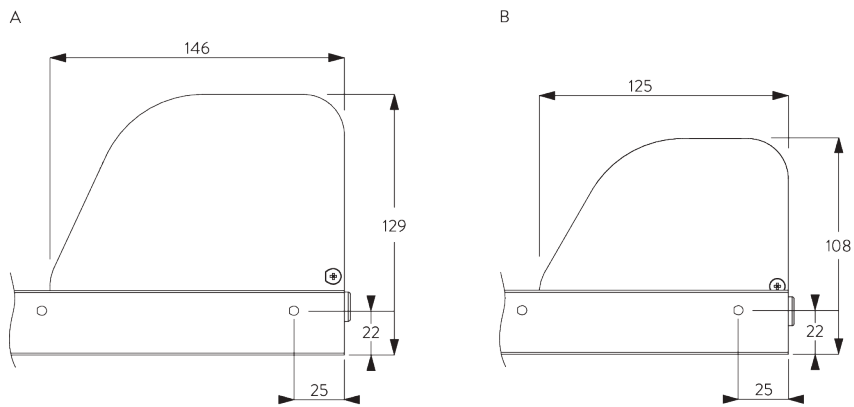


A: Inside recess fitting

B: Face fitting

C: Concealed recess fitting

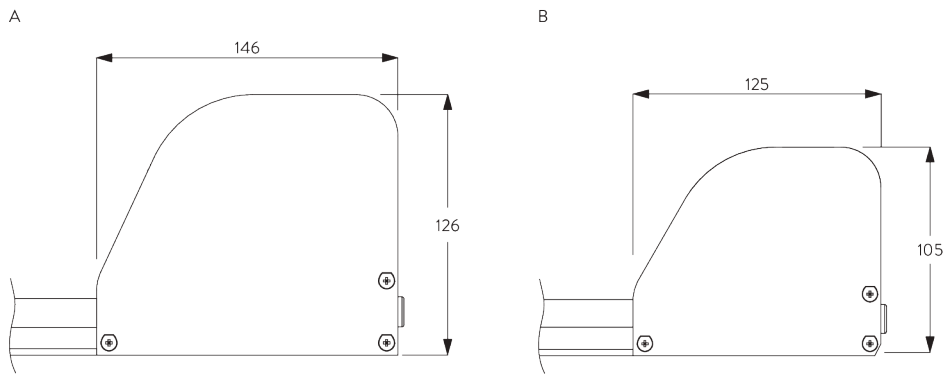
Headbox dimensions



Inside recess fitting

A: Headbox L

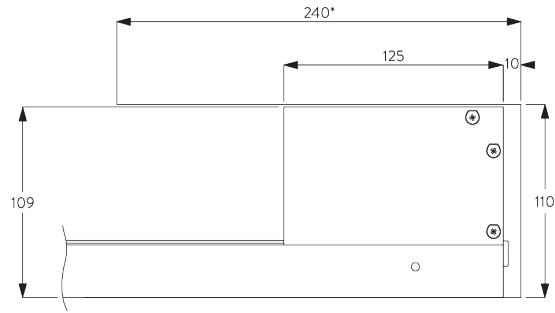
B: Headbox S / M



Face fitting

A: Headbox L

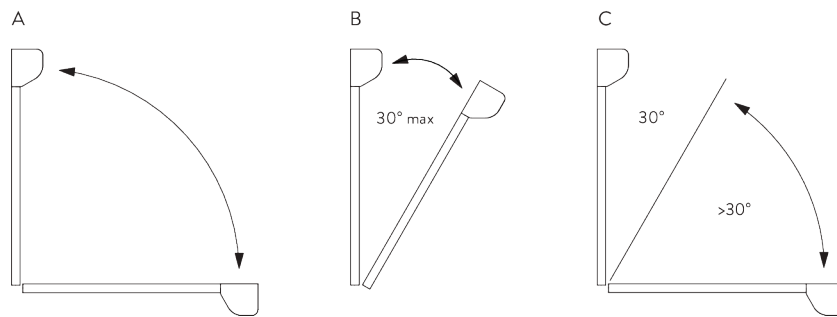
B: Headbox S / M



Concealed recess fitting
 Concealed recess headbox

*recess depth required to fully conceal hembar when retracted!

Fitting angles



A: Headbox S / M:

3 m wide x 3 m draw / 9 m² any angle

B: Headbox L:

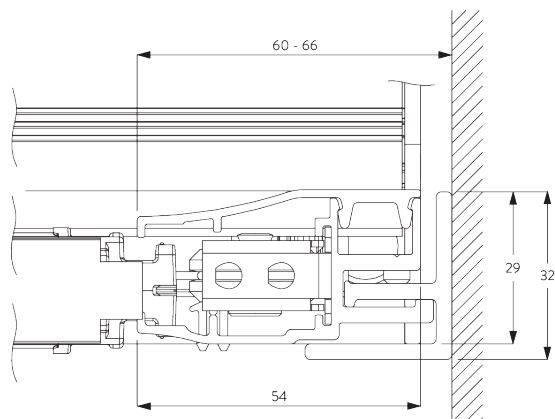
3 m wide x 4.5 m draw / 13 m² no greater than 30° from vertical

C: Headbox L:

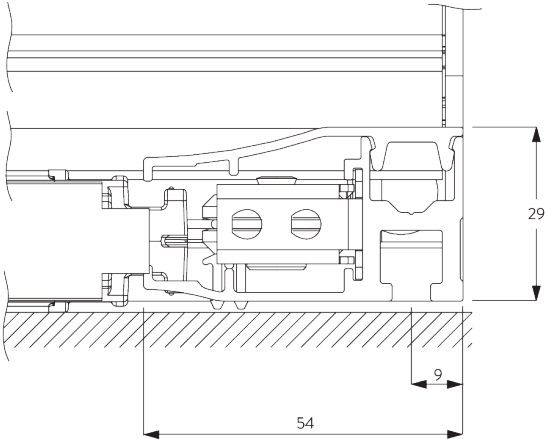
Max. 2.5 m wide x 4.5 m draw / 11 m² greater than 30° from vertical

Concealed recess option max. 3 m wide x 3 m draw any angle.

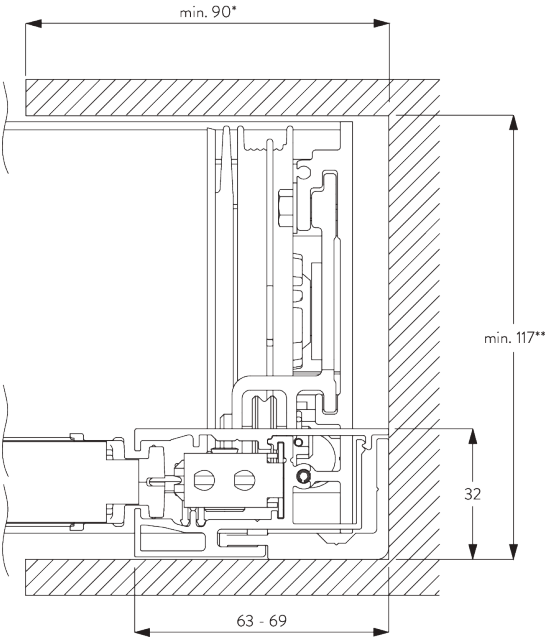
B. INSIDE RECESS FITTING



C. FACE FITTING



D. CONCEALED RECESS FITTING



**recess depth required to fully conceal hem bar end caps*
***min. 125 mm if head box lid is used*

MOTOR & CONTROLS

A. MOTOR FEATURES

Motor	SG 8657 / SG 8658
Motor Features	
Soft start / stop	●
Electronic end-stop	●
Electronic revolution counter (unlimited revolution)	●
Cable connectable with plug into motor	●
IP class	IP 30
Control Features	
Mains power control	●
SG Control L (external receiver required)	●
Suitable for most major home automation systems (with suitable interface)	●

B. MOTOR SPECIFICATIONS

Motor	Voltage	Current	Frequency	Speed
SG 8657 / SG 8658	100-240 V AC	0.8 A	50 / 60 Hz	12 rpm

C. OPERATING METHODS

See catalogue "controls" for details.

Wall Switch



System can be operated by fixed wall switch.

SG Control L



Various radio hand-held and wall transmitters available. An external receiver is required.



Silent Gliss Move App.

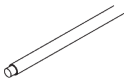








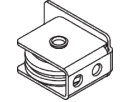


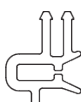

D. WIRING DIAGRAMS



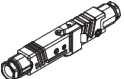


Refer to the Silent Gliss website.






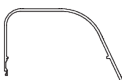
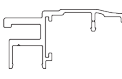



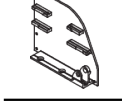



PARTS

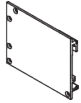
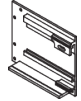
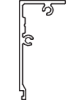

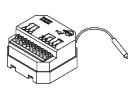
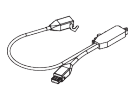
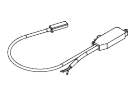
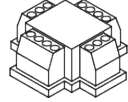
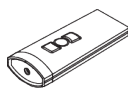
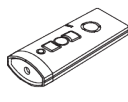
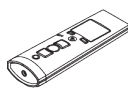
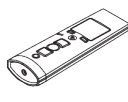
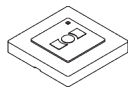
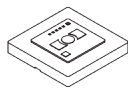
A. STANDARD PARTS

	SG 8619 Tension wire \varnothing 1.5 mm
	SG 8641 Box case S/M 105x125 mm
	SG 8642 Box cover S/M 105x125 mm
	SG 8643 Side guide case inside fitting
	SG 8644 Side guide cover
	SG 8645 Bottom bar
	SG 8646 Cable spool left
	SG 8647 Cable spool right
	SG 8648 Tube adapter
	SG 8649 Pulley
	SG 8656 Spring
	SG 8657 Motor kit
	SG 8659 Zip profile
	SG 8665 Tube \varnothing 74 mm

	SG 8667 End cover left S/M 105x125 mm
	SG 8668 End cover right S/M 105x125 mm
	SG 9916 Hirschmann plug set

B. OPTIONAL PARTS

	SG 8651 Cable spool left Large
	SG 8652 Cable spool right Large
	SG 8653 Tube adapter Large
	SG 8658 Motor kit L
	SG 8661 Box case Large 126x146 mm
	SG 8662 Box cover Large 126x146 mm
	SG 8663 Side guide case inside fitting
	SG 8664 Side guide profile inside fitting
	SG 8666 Tube Large \varnothing 85 mm
	SG 8669 End cover left Large 126x146 mm
	SG 8671 End cover right Large 126x146 mm
	SG 8672 Side guide case
	SG 8673 Concealed side guide profile
	SG 8674 Concealed side guide cover

	SG 8675 Concealed end cover left 105x125 mm
	SG 8676 Concealed end cover right 105x125 mm
	SG 8677 Concealed box cover 105x125 mm
	SG 8678 Concealed box cover lid 105x125 mm
	SG 9068 Radio receiver Revio
	SG 9944 Radio receiver 1 channel
	SG 9945 Radio receiver 1 channel
	SG 9959 Central control unit relay
	SG 10300 Radio hand held 1 channel
	SG 10302 Radio hand held 5+1 channel
	SG 10303 Radio hand held 10+2+1 channel
	SG 10804 Radio hand held 15+5+1 channel
	SG 11480 Radio wall transmitter 1 channel
	SG 11490 Radio wall transmitter 5+1 channel

The Architects of Silence

Silent Gliss is the leading global supplier of premium interior window treatments. Since 1952 we have been tirelessly committed to the development of the worlds` smoothest, quietest systems using state of the art technology.

Driven by customer needs, Silent Gliss offers functional and durable products. Expert technical advice coupled with installation and support services complete the offer. Silent Gliss stands for innovative, sustainable, tailor made solutions, exceptional design and first-class quality.

Silent Gliss Nordic AB

Travbanegatan 9
213 77 Malmö
Sweden
T +46 40 55 52 50
info@silentgliss.se

Byggdøy Allé 111A
0273 Oslo
Norway
T +47 24 11 80 60
info@silentgliss.no

Denmark
T +45 36 77 67 00
info@silentgliss.dk

silentgliss.se
silentgliss.no
silentgliss.dk