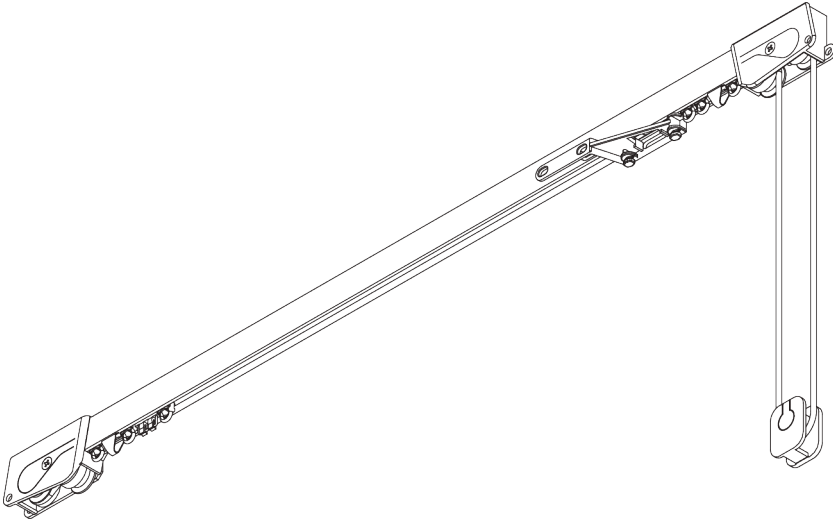
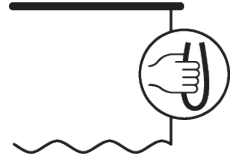


SG 3000



PRODUCT INFORMATION

- **Operation:** cord
- **Range:** S - M
- **Fitting:** ceiling, wall, suspended
- **Colours:** white RAL 9016 or anodised aluminum, special colours possible
- **Fabrics:** refer to Silent Gliss fabric collection

Features:

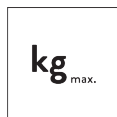
- Bendable

SYSTEM SPECIFICATIONS

A. SYSTEM DIMENSIONS



6 m



15 kg

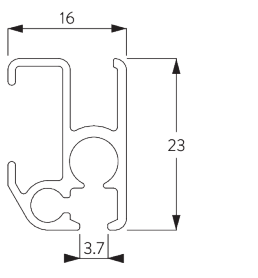
Max. curtain weight

	2 m	4 m	6 m
	15	14	13
	15	14	13
	10	7	5
	10	7	5
	5	4	3
	5	4	3
	4	3	-
	4	3	-

(kg max.)

B. PROFILE

Profile and bending information

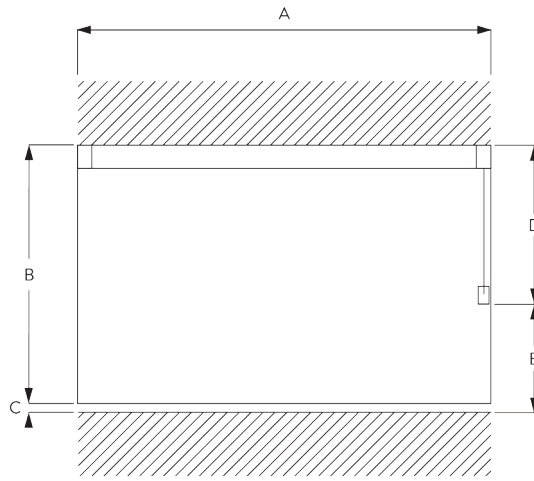


SG 1082

Profile

Radius:
✓ 10 cm, 20 cm, >30 cm

C. HOW TO MEASURE



- A: System width
- B: System height
- C: Distance between floor and fabric
- D: Cord height
- E: Safety Retainer SG 10731 min. 150 cm above floor

D. SPECIFICATION TEXT

EN

Silent Gliss SG 3000 Cord Operated Curtain Track System. Comprises aluminium profile SG 1082 supplied made to measure in powder coated white with gliders SG 3533 at 14/m. Top fixed with nylon bracket SG 3603 at 600 to 800 mm centres. Wall fixed with SG Smart Fix / Compliant to Child Safety legislation EN 13120.

SV

Silent Gliss SG 3000 lindragssystem. Består av aluminiumprofil SG 1082 i specificerad längd i vitlack. 14 st SG 3533 glid per meter. Takmonteras med fäste SG 3603 c/c 600-800 mm. Vägghontering med SG Smart Fix c/c 600-800 mm. Uppfyller barnsäkerhetsnorm EN 13120.

NO

Silent Gliss SG 3000 Snortrekksystem. Består av aluminiumprofil SG 1082 i spesifisert hvitlakkert lengde. 14 stk SG 3533 glidere pr meter. Takmonteres med feste SG 3603 c/c 600-800 mm. Veggmontering med SG Smart Fix c/c 600-800 mm. Oppfyller kravene i barnesikkerhetsnormen EN13120.

DA

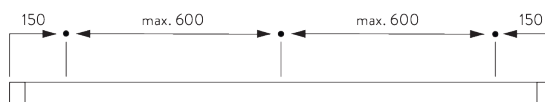
Silent Gliss SG 3000 gardinskinnesystem med snortræk. Består af aluminiumprofil SG 1082 i ønsket længde, i hvid pulverlakering med 14 stk. glidere SG 3533 pr. m. Loftmonteres med nylonbeslag SG 3603 med højst 600 til 800 mm afstand. Vægmonteres med SG Smart Fix. Overholder lovgivning om børnesikkerhed efter EN 13120.

FITTING

A. FITTING INFORMATION

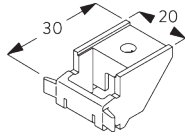
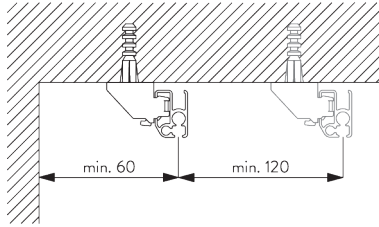
Fixing points

For detailed fitting information, visit the Silent Gliss website.



B. CEILING FITTING

Bracket SG 3603

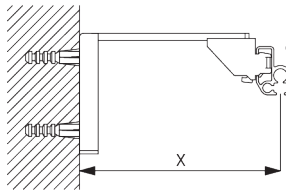


SG 3603

Bracket

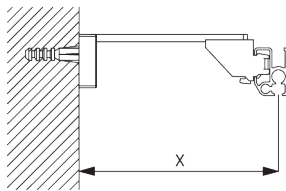
C. WALL FITTING

Smart Fix



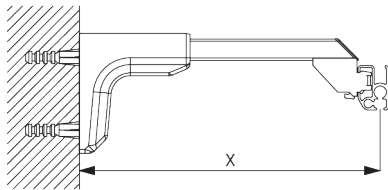
Smart Fix SG 11200 - SG 11205 and bracket SG 3603:

Screw SG 10492 (M4x8) needed.



Square Smart Fix SG 11210 - SG 11215 and bracket SG 3603:

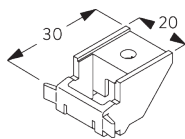
Screw SG 10492 (M4x8) needed.



Universal Smart Fix SG 11154 - SG 11156 and bracket SG 3603:

Screw SG 10277 (M4x12) needed.

Smart Fix	X mm
SG 11200 / SG 11210	76
SG 11201 / SG 11211	96
SG 11202 / SG 11212	116
SG 11203 / SG 11213	136
SG 11204 / SG 11214	166
SG 11205 / SG 11215	216
SG 11154	127-155
SG 11155	157-185
SG 11156	207-235



SG 3603

Bracket



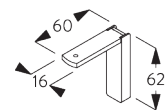
SG 10277

Pan head screw M4x12



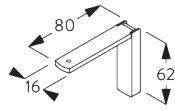
SG 10492

Pan head screw M4x8

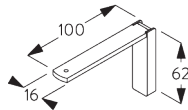


SG 11200

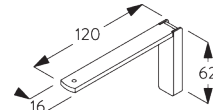
Smart Fix 60 mm



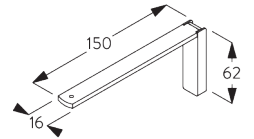
SG 11201
Smart Fix 80 mm



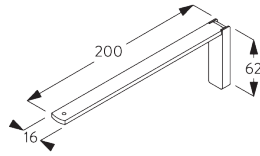
SG 11202
Smart Fix 100 mm



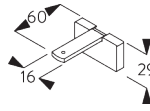
SG 11203
Smart Fix 120 mm



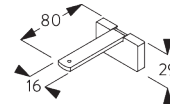
SG 11204
Smart Fix 150 mm



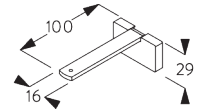
SG 11205
Smart Fix 200 mm



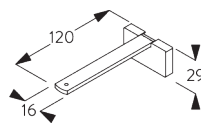
SG 11210
Square Smart Fix 60 mm



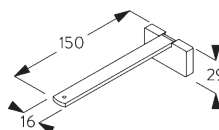
SG 11211
Square Smart Fix 80 mm



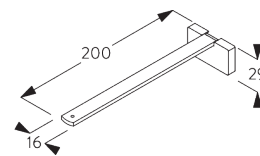
SG 11212
Square Smart Fix 100 mm



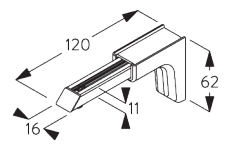
SG 11213
Square Smart Fix 120 mm



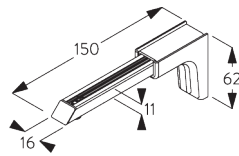
SG 11214
Square Smart Fix 150 mm



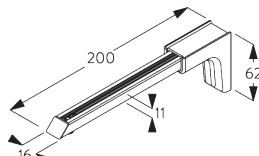
SG 11215
Square Smart Fix 200 mm



SG 11154
Universal Smart Fix 120 mm

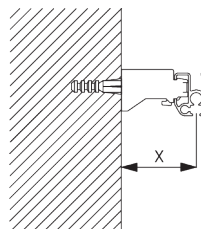


SG 11155
Universal Smart Fix 150 mm

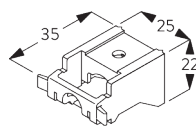


SG 11156
Universal Smart Fix 200 mm

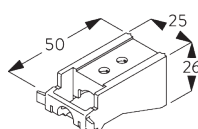
**Universal brackets
SG 3630, SG 3655,
SG 3660**



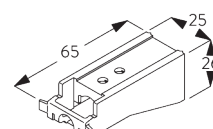
Bracket	X mm
SG 3630	39
SG 3655	54
SG 3660	69



SG 3630
Bracket 35 mm






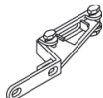
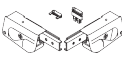


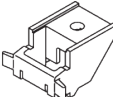

SG 3655
Bracket 50 mm









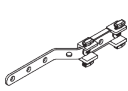


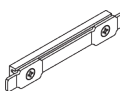

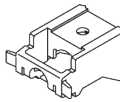
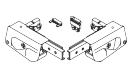
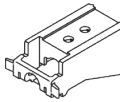

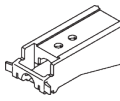
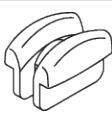


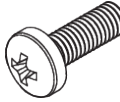



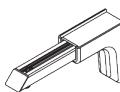
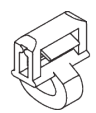
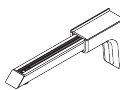
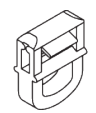
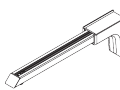
SG 3660
Bracket 65 mm

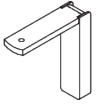
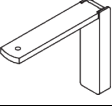
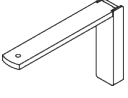
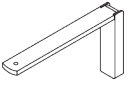
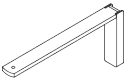
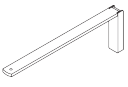
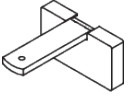
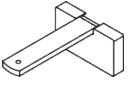
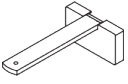
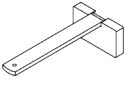
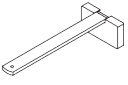
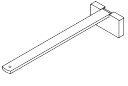
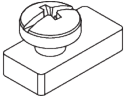
PARTS

A. STANDARD PARTS

	SG 1082 Profile
	SG 3085 Spring stop
	SG 3090 Cord ø 3.5 mm
	SG 3242 Overlap arm
	SG 3288 Cord guide set
	SG 3533 Glider
	SG 3599 Hook
	SG 3603 Bracket
	SG 10731 Child safety retainer set

B. OPTIONAL PARTS

	SG 3012 Hook		SG 3549 Click glider with hook
	SG 3030 Pilot runner		SG 3555 Hook
	SG 3032 Spring stop		SG 3582 Hook
	SG 3045 Overlap arm		SG 3598 Eyelet
	SG 3070 End stop		SG 3620 Connection bridge
	SG 3091 Cord ø 3.5 mm		SG 3630 Bracket 35 mm
	SG 3289 Cord guide set		SG 3655 Bracket 50 mm
	SG 3340 Cord/chain weight		SG 3660 Bracket 65 mm
	SG 3511 Glider		SG 3735 Cord weight with tensioner
	SG 3534 Glider 3533 on strip		SG 10277 Pan head screw M4x12
	SG 3535 Glider		SG 10492 Pan head screw M4x8
	SG 3537 Glider		SG 11154 Universal Smart Fix 120 mm
	SG 3547 Glider		SG 11155 Universal Smart Fix 150 mm
	SG 3548 Glider		SG 11156 Universal Smart Fix 200 mm

	SG 11200 Smart Fix 60 mm
	SG 11201 Smart Fix 80 mm
	SG 11202 Smart Fix 100 mm
	SG 11203 Smart Fix 120 mm
	SG 11204 Smart Fix 150 mm
	SG 11205 Smart Fix 200 mm
	SG 11210 Square Smart Fix 60 mm
	SG 11211 Square Smart Fix 80 mm
	SG 11212 Square Smart Fix 100 mm
	SG 11213 Square Smart Fix 120 mm
	SG 11214 Square Smart Fix 150 mm
	SG 11215 Square Smart Fix 200 mm
	SG 11335 End stop

