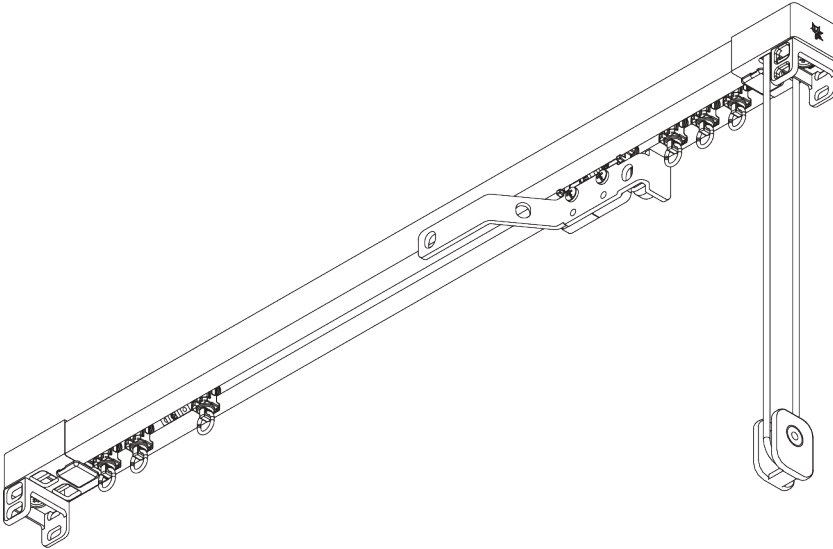


SG 3970



PRODUCT INFORMATION

- **Operation:** cord
- **Range:** M - L
- **Fitting:** ceiling, wall, recess
- **Colours:** white RAL 9016 or anodised aluminum, special colours possible (recess profile only in white RAL 9016 or special color)
- **Fabrics:** refer to Silent Gliss fabric collection

Features:

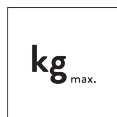
- 2-component (2C) roller technology
- Wave (2C)
- Bendable
- Bendable recess profile

SYSTEM SPECIFICATIONS

A. SYSTEM DIMENSIONS



15 m



38 kg

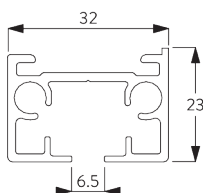
Max. curtain weight - 2C roller

	2 m	4 m	6 m	8 m	10 m	12 m	15 m
	25	38	35	30	25	20	15
	25	38	35	30	25	20	15
	25	30	25	20	18	15	10
	25	30	25	20	18	15	10
	13	16	13	11	10	8	6
	13	16	13	11	10	8	6
	11	13	11	10	9	7	-
	11	13	11	10	9	7	-

(kg max.)

B. PROFILE

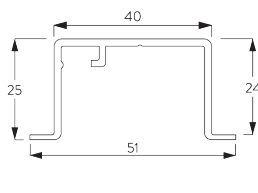
Profile and bending information



SG 3971

Profile

Radius: >25 cm

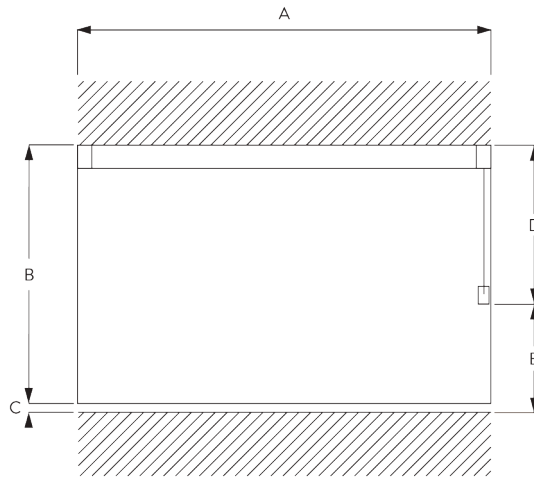


SG 10862

Recess profile

Radius: 50 - 75 cm
>75 cm on request

C. HOW TO MEASURE



- A: System width
- B: System height
- C: Distance between floor and fabric
- D: Cord height
- E: Safety Retainer SG 10731 min. 150 cm above floor

D. SPECIFICATION TEXT

EN

Silent Gliss SG 3970 Cord Operated Curtain Track System. Comprising aluminium profile SG 3971 supplied made to measure in silver anodised or powder coated in white. Supplied with 2C gliders SG 10840 at 10/m. Top fixed with fixing clamp SG 3041 / SG 3004 at max. 500 mm centres. Wall fix with SG Smart Fix. Optional recess profile SG 10862. Silent Gliss Wave option is available. Compliant to Child Safety legislation EN 13120.

SV

Silent Gliss SG 3870 lindragssystem. Består av aluminiumprofil SG 3971 i specificerad längd i vitlack, alu natur eller angiven RAL färg. 10 st 10840 SILENT TRACK glid per meter. Takmonteras med fäste SG 3041 / SG 3004 c/c 500 mm.

Väggmontering med SG Smart Fix c/c 500 mm. Kan leveres med infällningsprofil SG 10862. Uppfyller barnsäkerhetsnorm EN 13120. Kan användas med system Wave.

NO

Silent Gliss SG 3870 Snortrekksystem. Består av aluminiumprofil SG 3971 i spesifisert lengde. Hvitlakkert alu natur eller spesifisert RAL farge. 10 stk SG 10840 SILENT TRACK glidere pr meter. Takmonteres med feste SG 3041 / SG 3004 c/c 500 mm. Veggmontering med SG Smart Fix c/c 500 mm. Kan leveres med profil for innfelling SG 10862. Oppfyller kravene i barnesikkerhetsnormen EN 13120. kan brukes med Wave system.

DA

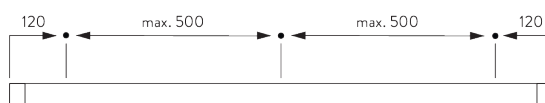
Silent Gliss SG 3970 gardinskinnesystem med snortræk. Består af en aluminiumprofil SG 3971 i ønsket længde, sølvanodiseret eller hvid pulverlakering. Leveres med 10 stk. 2C glidere SG 10840 pr m. Loftmonteres med spændebojle SG 3041 / SG 3004 med højst 500 mm afstand. Vægmonteres med SG Smart Fix. Kan leveres med indfældningsprofil SG 10862. Kan bruges med Silent Gliss Wave. Overholder lovgivning om børnesikkerhed efter EN 13120.

FITTING

A. FITTING INFORMATION

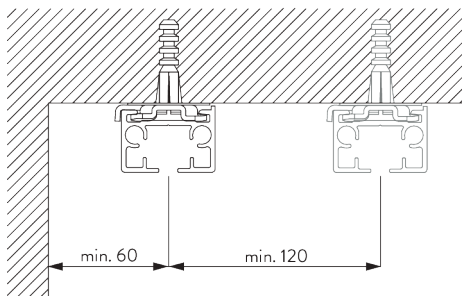
For detailed fitting information, visit the Silent Gliss website.

Fixing points



B. CEILING FITTING

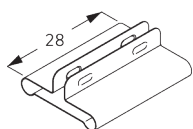
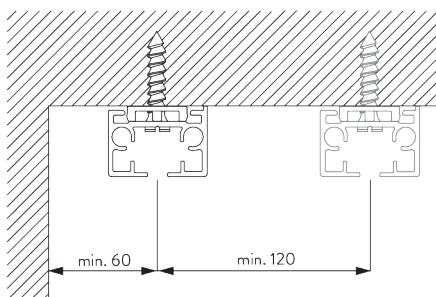
Clamp SG 3004



SG 3004

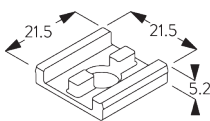
Clamp

Direct fitting



SG 7002

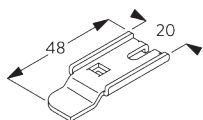
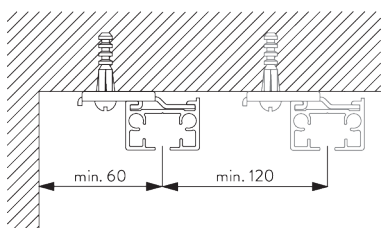
Profile protector



SG 10865

Support plate

Bracket SG 3041

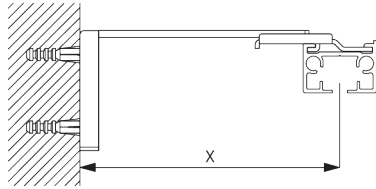


SG 3041

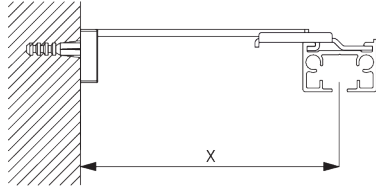
Bracket

C. WALL FITTING

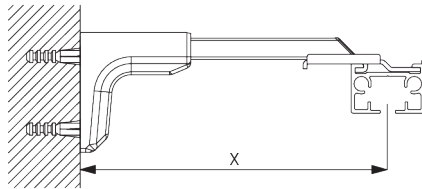
Smart Fix



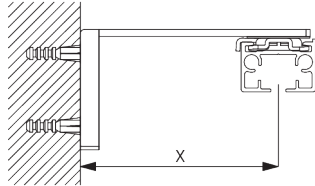
Smart Fix SG 11200 - SG 11205 and bracket SG 3041:
Screw SG 10492 (M4x8) needed.



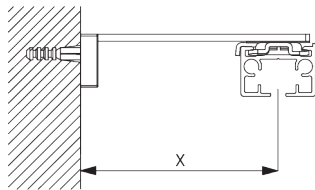
Square Smart Fix SG 11210 - SG 11215 and bracket SG 3041:
Screw SG 10492 (M4x8) needed.



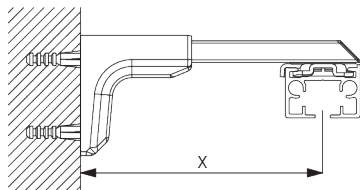
Universal Smart Fix SG 11154 - SG 11156 and bracket SG 3041:
Screw SG 10407 (M4x10) needed.



Smart Fix SG 11201 - SG 11205 and clamp SG 3004:
Screw SG 10074 (M4x8) needed.

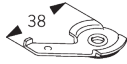


Square Smart Fix SG 11211 - SG 11215 and clamp SG 3004:
Screw SG 10074 (M4x8) needed.

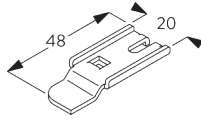


Universal Smart Fix SG 11154 - SG 11156 and clamp SG 3004:
Screw SG 11158 (M4x12) needed.

Smart Fix	X mm (SG 3041)	X mm (SG 3004)
SG 11200 / SG 11210	83	
SG 11201 / SG 11211	103	72
SG 11202 / SG 11212	123	92
SG 11203 / SG 11213	143	112
SG 11204 / SG 11214	173	142
SG 11205 / SG 11215	223	192
SG 11154	128-156	102-130
SG 11155	158-186	132-160
SG 11156	208-236	182-210



SG 3004
Clamp



SG 3041
Bracket



SG 10074
Countersunk head screw
M4x8



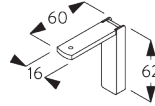
SG 10407
Pan head screw M4x10



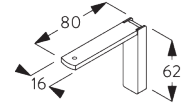
SG 10492
Pan head screw M4x8



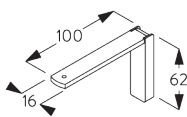
SG 11158
Countersunk head screw
M4x12



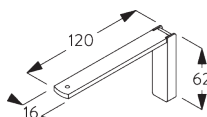
SG 11200
Smart Fix 60 mm



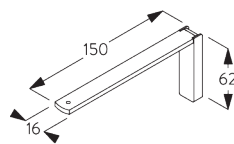
SG 11201
Smart Fix 80 mm



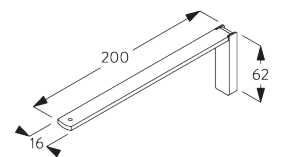
SG 11202
Smart Fix 100 mm



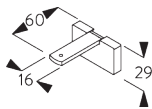
SG 11203
Smart Fix 120 mm



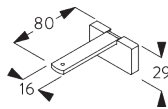
SG 11204
Smart Fix 150 mm



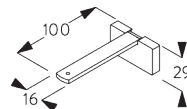
SG 11205
Smart Fix 200 mm



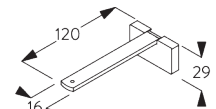
SG 11210
Square Smart Fix 60 mm



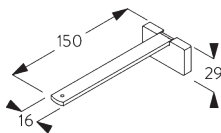
SG 11211
Square Smart Fix 80 mm



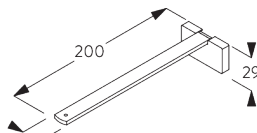
SG 11212
Square Smart Fix 100 mm



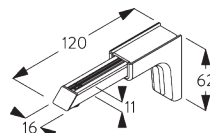
SG 11213
Square Smart Fix 120 mm



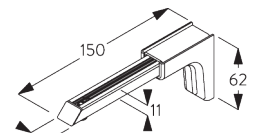
SG 11214
Square Smart Fix 150 mm



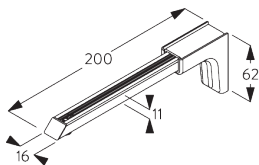
SG 11215
Square Smart Fix 200 mm



SG 11154
Universal Smart Fix 120 mm



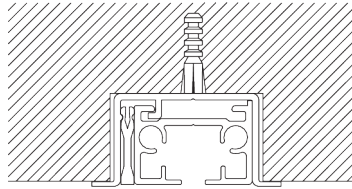
SG 11155
Universal Smart Fix 150 mm



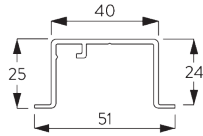
SG 11156
Universal Smart Fix 200 mm

D. RECESS FITTING

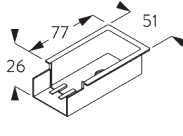
Recess profile SG 10862



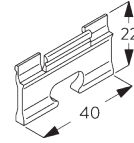
One wedge SG 5118 per fixing point.
For detailed recess fitting, visit the Silent Gliss website.



SG 10862
Recess profile



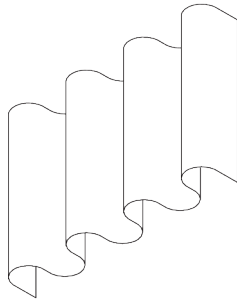
SG 10864
Recess mask



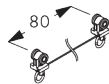
SG 5118
Wedge

SYSTEM OPTIONS

A. WAVE



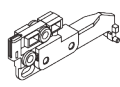
SG 11295



SG 10852



SG 6365



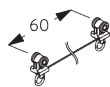
SG 10845



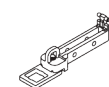
SG 10854



SG 10867



SG 10869



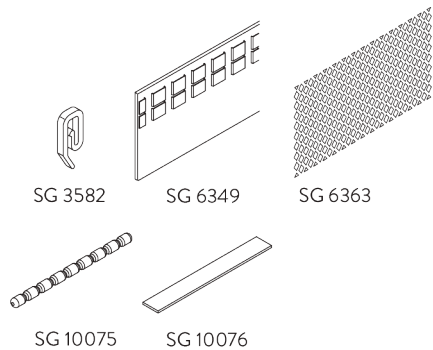
SG 10887

Standard components:

- SG 11295 End stop
- SG 10852 Wave 2C roller cord 80 mm

Optional components:

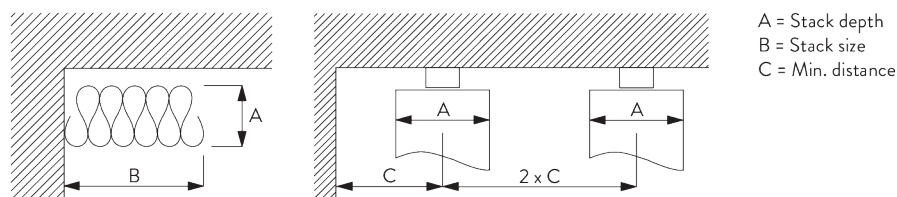
- SG 6365 Wave hanger
- SG 10845 Wave master carrier single stack 80 mm
- SG 10854 Wave overlap support arm
- SG 10867 Panhead screw M4x16
- SG 10869 Wave 2C roller cord 60 mm (no single stack)
- SG 10887 Wave extension



Curtain components:

- SG 3582 Hook
- SG 6349 Wave curtain tape
- SG 6363 Wave top hemming tape
- SG 10075 Lead weight 50 gr/m
- SG 10076 Fabric weight

Wave stack depth - 2C roller cord (standard components)



2C Roller cord SG 10852	Pockets between hooks	Approx. curtain fullness	Stack depth A	Stack size B*	Min distance C
80	6	~2.1	140	210 per metre of track	90
80	7	~2.3	160	210 per metre of track	100

2C Roller cord SG 10869	Pockets between hooks	Approx. curtain fullness	Stack depth A	Stack size B*	Min distance C
60	4	~2.1	100	260 per metre of track	70
60	5	~2.3	120	260 per metre of track	80

***Stack size B standard**



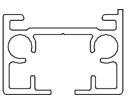
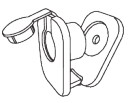
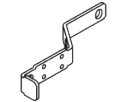
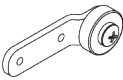

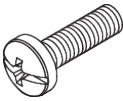
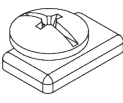
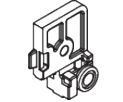

- single stack = plus 140 mm per curtain
- pair stack = plus 40 mm per curtain

***Stack size B optional**

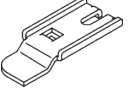

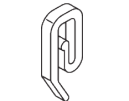

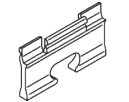
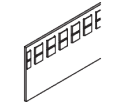

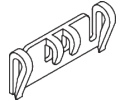
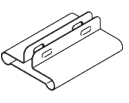
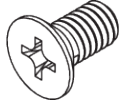

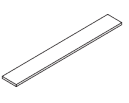
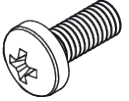

- single stack = n/a
- pair stack = plus 150 mm per curtain

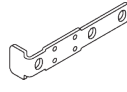

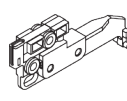
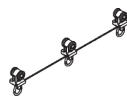
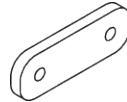
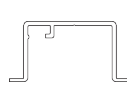
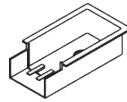
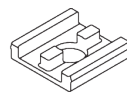
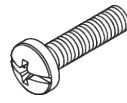
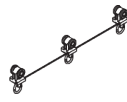
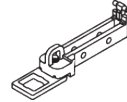
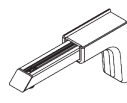
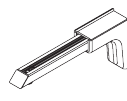
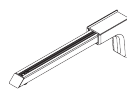
PARTS

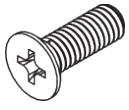
A. STANDARD PARTS

	SG 3004 Clamp
	SG 3090 Cord ø 3.5 mm
	SG 3971 Profile
	SG 10731 Child safety retainer set
	SG 10821 Overlap arm
	SG 10826 Overlap arm support
	SG 10840 2C roller
	SG 10923 Pan head screw Freedriv M4x12
	SG 11295 End stop
	SG 11314 Master carrier
	SG 11315 Guide set

B. OPTIONAL PARTS

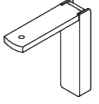
	SG 3041 Bracket
	SG 3340 Cord/chain weight
	SG 3582 Hook
	SG 3735 Cord weight with tensioner
	SG 5118 Wedge
	SG 6349 Wave curtain tape
	SG 6363 Wave top hemming tape
	SG 6365 Wave hanger
	SG 7002 Profile protector
	SG 10074 Countersunk head screw M4x8
	SG 10075 Lead weight 50 g/m
	SG 10076 Fabric weight
	SG 10407 Pan head screw M4x10
	SG 10492 Pan head screw M4x8

	SG 10820 Overlap arm
	SG 10831 Connection bridge
	SG 10845 Wave master carrier 80 mm
	SG 10852 Wave 2C roller cord 80 mm
	SG 10854 Wave overlap plate
	SG 10862 Recess profile
	SG 10864 Recess mask
	SG 10865 Support plate
	SG 10867 Pan head screw Freedriv M4x16
	SG 10869 Wave 2C roller cord 60 mm
	SG 10887 Wave extension
	SG 11154 Universal Smart Fix 120 mm
	SG 11155 Universal Smart Fix 150 mm
	SG 11156 Universal Smart Fix 200 mm



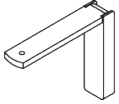
SG 11158

Countersunk head screw M4x12



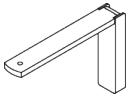
SG 11200

Smart Fix 60 mm



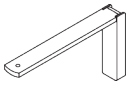
SG 11201

Smart Fix 80 mm



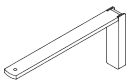
SG 11202

Smart Fix 100 mm



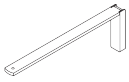
SG 11203

Smart Fix 120 mm



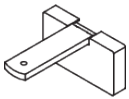
SG 11204

Smart Fix 150 mm



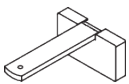
SG 11205

Smart Fix 200 mm



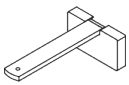
SG 11210

Square Smart Fix 60 mm



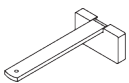
SG 11211

Square Smart Fix 80 mm



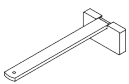
SG 11212

Square Smart Fix 100 mm



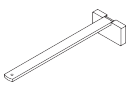
SG 11213

Square Smart Fix 120 mm



SG 11214

Square Smart Fix 150 mm



SG 11215

Square Smart Fix 200 mm
