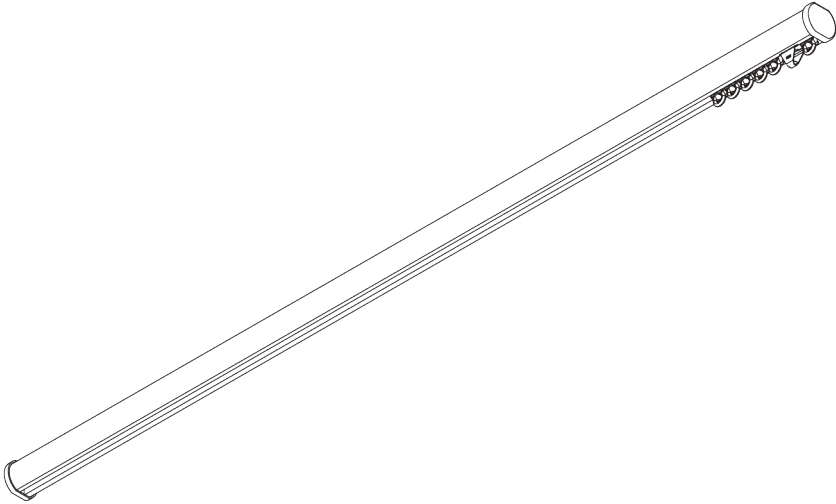


SG 1015



PRODUCT INFORMATION

- **Operation:** hand
- **Range:** S
- **Fitting:** ceiling, wall
- **Colours:** white RAL 9016 or anodised aluminum, special colours possible
- **Fabrics:** refer to Silent Gliss fabric collection

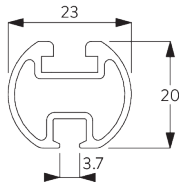
Features:

- Bendable

SYSTEM SPECIFICATIONS

A. PROFILE

Profile and bending information

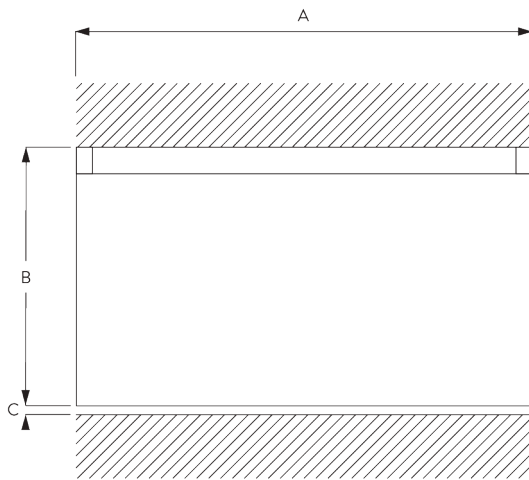


SG 1003p

Profile

Radius:
✓ 15 cm, 20 cm, >25 cm

B. HOW TO MEASURE



A: System width

B: System height

C: Distance between floor and fabric

C. SPECIFICATION TEXT

EN

Silent Gliss SG 1015 Hand Drawn Curtain Track System. Comprises aluminium profile SG 1003 supplied made to measure in silver anodised or white powder coated, alternatively a specified RAL colour. SG 3533 at 14/m and 2 end covers SG 3014/ end stops SG 3070 per length. Top fixed with brackets SG 6175 at max. 800 mm centres / wall fix SG Smart Fix at max. 800 mm centres.

SV

Silent Gliss SG 1015 handdragssystem. Består av aluminiumprofil SG 1003 i specificerad längd i vitlack, alu natur eller angiven RAL färg. 14 st SG 3533 glid per meter, 2 st SG 3014 ändskydd samt 2 st SG 3070 vridstopp per system. Takmonteras med fäste SG 6124 /SG 6175 c/c 800 mm. Vägghmontering med Smart Fix c/c 800 mm.

NO

Silent Gliss SG 1015 manuell gardinskinne. Består av aluminiumprofil SG 1003 i spesifisert lengde, standard hvitlakkert eller alu natur. Kan også leveres i spesifisert RAL farge. 14 stk SG 3533 glidere pr meter, 2 stk SG 3070 vrilstopp pr system. Takmonteres med feste SG 6175 c/c 800 mm. Veggmontering med Smart Fix c/c 800mm.

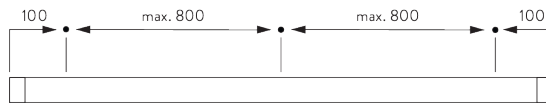
DA

Silent Gliss SG 1015 håndtrukket gardinskinnesystem. Består af en aluminiumprofil SG 1003 i ønsket længde, sølvanodiseret eller hvid pulverlakering, alternativt en specificeret RAL-farve. 14 stk. SG 3533 glidere pr. m og 2 stk. endelåg SG 3014 samt 2 stk. SG 3070 endestop pr. længde. Loftmonteres med beslagene SG 6175 med højst 800 mmafstand. Vægmonteres med SG Smart Fix med højst 800 mm afstand.

FITTING

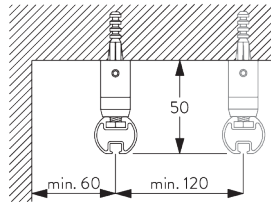
A. FITTING INFORMATION

Fixing points

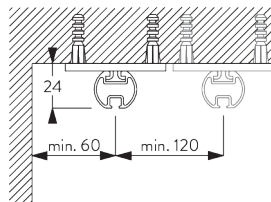


For detailed fitting information, visit the Silent Gliss website.

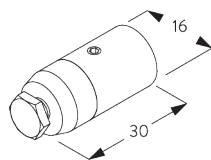
B. CEILING FITTING



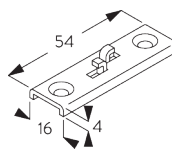
Mini hanger SG 6175



Bracket SG 6124



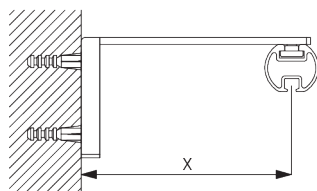
SG 6175
Mini hanger



SG 6124
Bracket

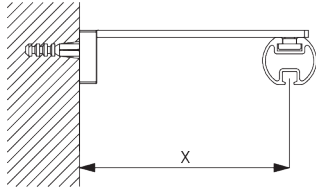
C. WALL FITTING

Smart Fix



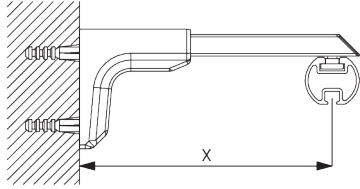
Smart Fix with slot SG 11206 - SG 11208:
Screw SG 10492 (M4x8) needed.

Smart Fix	X mm
SG 11206 / SG 11216	33-51
SG 11207 / SG 11217	53-71
SG 11208 / SG 11218	73-91
SG 11154	102-130
SG 11155	132-160
SG 11156	182-210



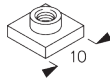
Square Smart Fix with slot SG 11216 - SG 11218:

Screw SG 10492 (M4x8) needed.



Universal Smart Fix SG 11154 - SG 11156:

Screw SG 11131 (M4x6) needed.



SG 6117

Slot nut



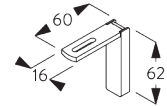
SG 10492

Pan head screw M4x8



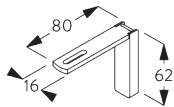
SG 11131

Pan head screw with flange M4x6



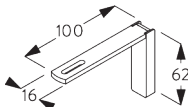
SG 11206

Smart Fix with slot 60 mm



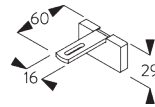
SG 11207

Smart Fix with slot 80 mm



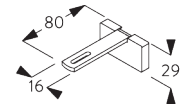
SG 11208

Smart Fix with slot 100 mm



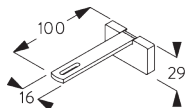
SG 11216

Square Smart Fix with slot 60 mm



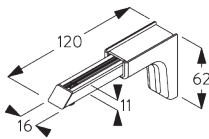
SG 11217

Square Smart Fix with slot 80 mm



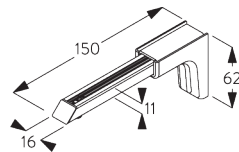
SG 11218

Square Smart Fix with slot 100 mm



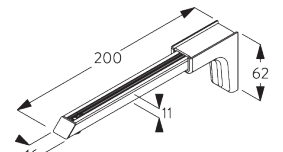
SG 11154

Universal Smart Fix 120 mm



SG 11155

Universal Smart Fix 150 mm


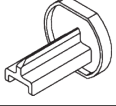

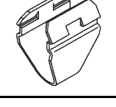

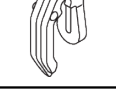



SG 11156

Universal Smart Fix 200 mm

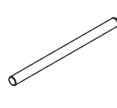
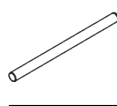
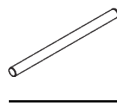
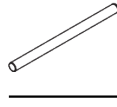
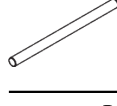
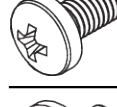

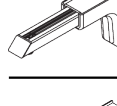
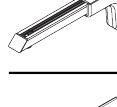
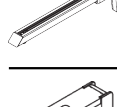
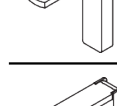
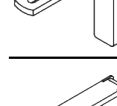
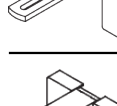
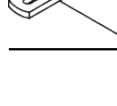
PARTS

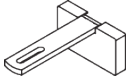
A. STANDARD PARTS

	SG 1003p Profile
	SG 3014 End cover
	SG 3070 End stop
	SG 3085 Spring stop
	SG 3533 Glider
	SG 3599 Hook
	SG 6124 Bracket

B. OPTIONAL PARTS

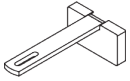
	SG 3012 Hook
	SG 3511 Glider
	SG 3534 Glider 3533 on strip
	SG 3535 Glider
	SG 3537 Glider
	SG 3548 Glider
	SG 3549 Click glider with hook
	SG 3570 Glider
	SG 3581 Hook
	SG 3582 Hook
	SG 3598 Eyelet
	SG 6117 Slot nut
	SG 6173 Connection bridge
	SG 6175 Mini hanger

	SG 10430 Draw rod 50 cm
	SG 10431 Draw rod 75 cm
	SG 10432 Draw rod 100 cm
	SG 10433 Draw rod 125 cm
	SG 10434 Draw rod 150 cm
	SG 10492 Pan head screw M4x8
	SG 11131 Pan head screw with flange M4x6
	SG 11154 Universal Smart Fix 120 mm
	SG 11155 Universal Smart Fix 150 mm
	SG 11156 Universal Smart Fix 200 mm
	SG 11206 Smart Fix with slot 60 mm
	SG 11207 Smart Fix with slot 80 mm
	SG 11208 Smart Fix with slot 100 mm
	SG 11216 Square Smart Fix with slot 60 mm



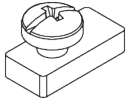
SG 11217

Square Smart Fix with slot 80 mm



SG 11218

Square Smart Fix with slot 100 mm



SG 11335

End stop
