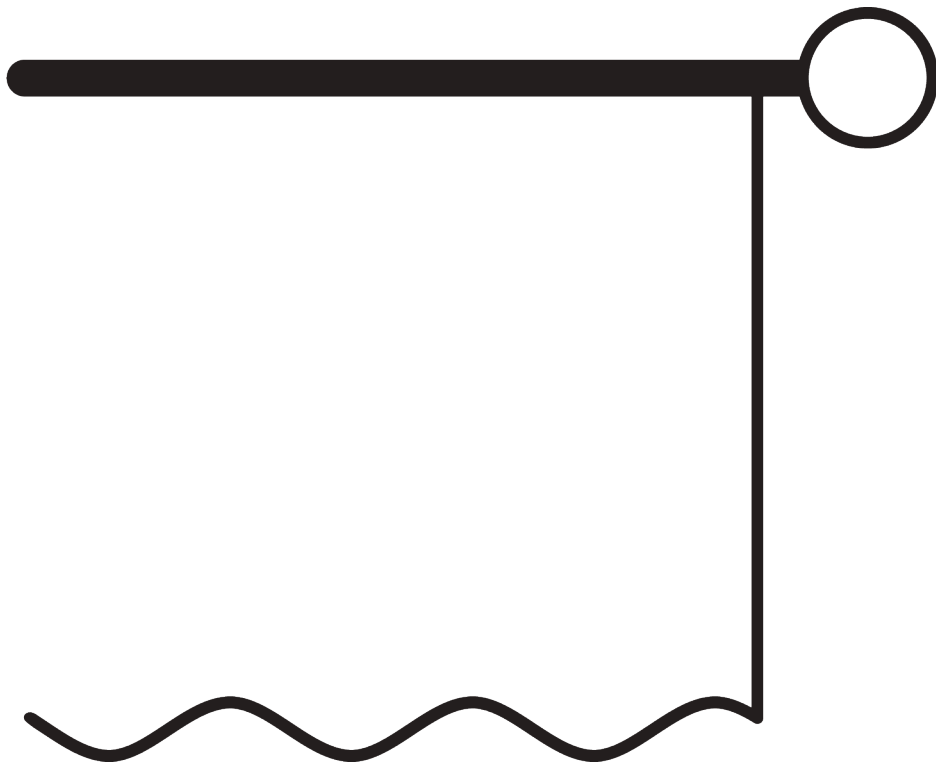


# METROPOLE



# GENERAL NOTES

## **Dimensions**

- Measurements are in mm except where indicated.
- Max. kg relates to fabric incl. accessories.
- Stack size depends on curtain make-up and fabric thickness.
- Distance between gliders max. 80 mm / distance between rollers max. 100 mm.
- Recommended distance floor / fabric: 20 mm.
- In order to determine system height (B), the smallest room height must be taken into account.













## **Fitting**

- Installation by qualified fitter only.
- Number of brackets and fitting positions / fixing points vary depending on fitting surface, system weight, fabric make-up, screw / fixing type and obstacles.
- Qualified fitter must use appropriate screws / fixings for each situation.
- Profile lip if applicable to be installed to room side.

## **Child Safety**

- All relevant Silent Gliss systems correspond to child safety EN 13120.
- All parties involved must comply with EN 13120.

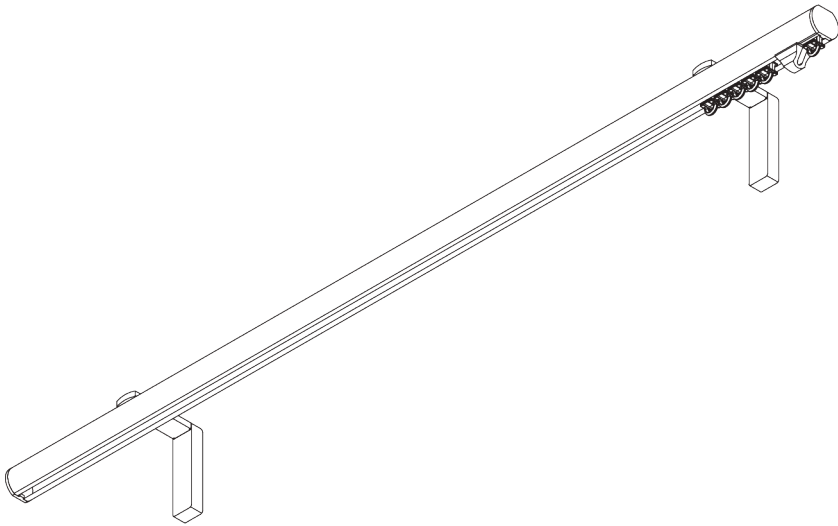
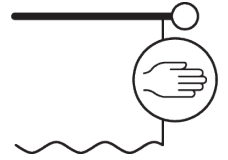
# APPLICATION CHART

<u>PAGE</u>	<u>SYSTEM</u>	<u>OPERATION</u>	<u>DIMENSION</u>	<u>DESIGN</u>	<u>WAVE</u>
5	<b>SG 7600</b>		S		
15	<b>SG 7605</b>		S - M		
25	<b>SG 7610</b>		S - M		
35	<b>SG 7620</b>		M - L		



# SG 7600

---



## PRODUCT INFORMATION

- **Operation:** hand
- **Range:** S
- **Fitting:** ceiling, wall
- **Colours:** white RAL 9016, various colours / finishes
- **Fabrics:** refer to Silent Gliss fabric collection

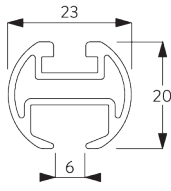
### **Features:**

- 2-component (2C) glider technology
- Wave (2C)
- Matching endcaps and brackets / bracket covers
- Range of decorative finials
- Bendable

# SYSTEM SPECIFICATIONS

## A. PROFILE

Profile and bending information

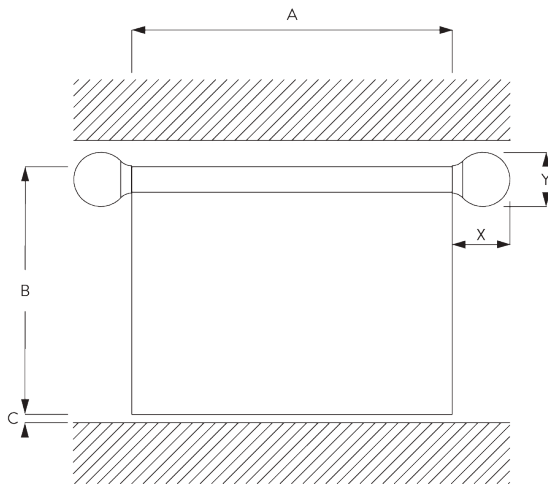


SG 11606

Profile

Radius:  
✓ 15 cm, 20 cm, >25 cm

## B. HOW TO MEASURE



A: System width without finials


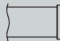


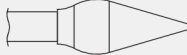


B: System height

C: Distance between floor and fabric

X: Finial width

Y: Finial height

## Finial Measurements

		23 mm	
		X	Y
	SG 11602	2	23
	SG 11621	8	27
	SG 11622	14	38
	SG 11726	49	46
	SG 11727	89	37
	SG 11728	20	69
	SG 11729	18	46

## C. SPECIFICATION

### TEXT

### SV

Silent Gliss SG 7600 'Metropole' handdragssystem består av 23mm rund aluminiumprofil SG 11606 i specificerad längd. 14 st 2C glid SG 11300 per meter, 2st vridstopp 6065, ändskydd SG 11602. Raka profiler levereras som standard med väggvinkel "Smart Fix" SG 11206. Alternativ väggvinkel Smart Fix SG11207-11208/ Smart Fix Square SG 11216-11218 eller Fillet SG 11669. Takbeslag SG 11668 eller minihängare SG 6175, samtliga beslag monteras c/c 600mm. Profiler och beslag lackeras i Vit, Matt vit, Silver, Taupe, Antique bronze, Svart, Charcoal och Bronze. Flertalet dekorativa ändknoppar finns i olika former och färger. Wave finns som alternativ. Wave 2C glid 60 mm SG 11303 / 80 mm SG 11302. Levereras som standard med stoppskruv SG 11295.

### NO

Silent Gliss SG 7600 Metropole håndført gardinskinnesystem. Består av 23 mm rund aluminiumsprofil SG 11606 i spesifiserte lengder med 14 stk 2C glidere SG 11300 pr. meter, 2 stk SG 6065 vristopper og 2 stk Flush endeløkk SG 11602. Rette system leveres som standard med 60 mm veggvinkel Smart Fix SG 11206 hver 600 mm. Alternative veggvinkler Smart Fix SG 11207-11208 / Square Smart Fix SG 11216-11218 eller Fillet brakett SG 11669. Alternative takfester er Top Fix SG 11668 eller Mini-henger SG 6175, alle fester monteres c/c 600 mm. Farger: White, Matt White, Silver, Taupe, Antique Bronze, Bronze, Charcoal og Black. Endedekor: Flush, Stud, Design, Ball end, Taper, Ellipse og Spear. Alternativ med Wave 80 mm 2C glider SG 11302 eller 60 mm SG 11303. Leveres som standard med stoppskrue SG 11295.

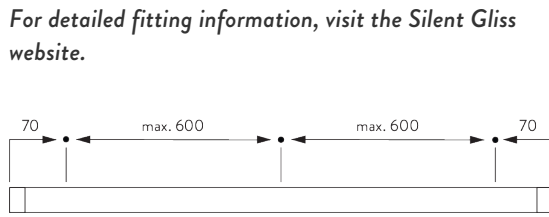
### DA

Silent Gliss SG 7600 Metropole håndtrukket gardinskinnesystem. Består af en 23 mm rund aluminiumsprofil SG 11606 i ønsket længde med 14 stk 2C glidere SG 11300 pr. meter, 2 stk SG 6065 endestop og 2 stk Flush endelåg SG 11602. Leveres som standard med 60 mm vægvinkel Smart Fix SG 11206 for hver 600 mm. Alternative vægvinkler Smart Fix SG 11207-11208 / Square Smart Fix SG 11216-11218 eller Fillet vinkel SG 11669. Alternative loftbeslag er Top Fix SG 11668 eller Mini hanger SG 6175, alle beslag monteres c/c 600 mm. Farver: White, Matt White, Silver, Taupe, Antique Bronze, Bronze, Charcoal og Black. Endedekor: Flush, Stud, Design, Ball end, Taper, Ellipse og Spear. Alternativ med Wave 80 mm 2C glider SG 11302 eller 60 mm SG 11303. Leveres som standard med stoppskrue SG 11295.

# FITTING

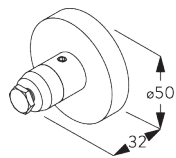
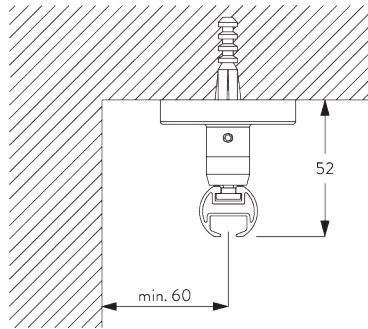
## A. FITTING INFORMATION

### Fixing points



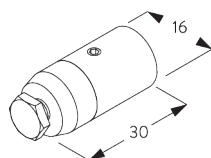
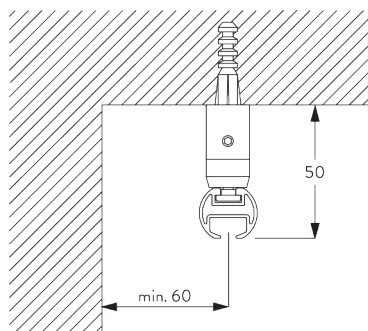
## B. CEILING FITTING

### Top fix bracket SG 11668



**SG 11668**  
Top fix bracket

### Mini hanger SG 6175

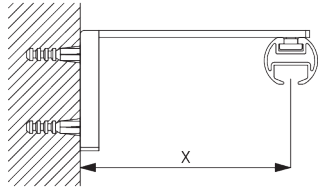


**SG 6175**  
Mini hanger

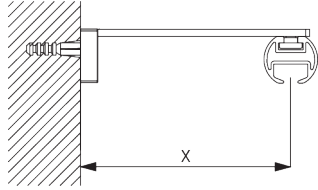


## C. WALL FITTING

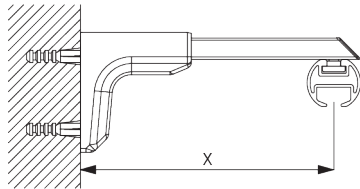
### Smart Fix



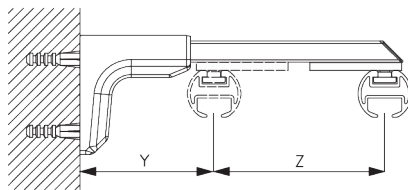
**Smart Fix with slot SG 11206 - SG 11208 and SG 6141:**  
Screw SG 10492 (M4x8) needed.



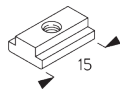
**Square Smart Fix with slot SG 11216 - SG 11218 and SG 6141:**  
Screw SG 10492 (M4x8) needed.



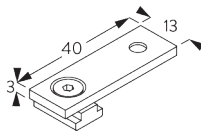
**Universal Smart Fix SG 11154 - SG 11156 and SG 6141:**  
Screw SG 11131 (M4x6) needed.



**Double System:**  
**Universal Smart Fix SG 11155 - SG 11156 and SG 6151:**  
Screw SG 11127 (M4x10) and nut SG 11148 needed.



**SG 6141**  
Clamping piece



**SG 6151**  
Ceiling support set 3 mm



**SG 10492**  
Pan head screw M4x8



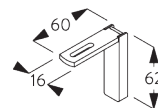
**SG 11127**  
Countersunk head screw  
M4x10



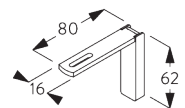
**SG 11131**  
Pan head screw with flange  
M4x6



**SG 11148**  
Nut

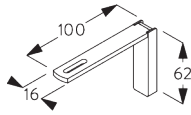


**SG 11206**  
Smart Fix with slot 60 mm



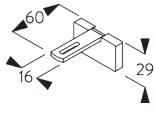
**SG 11207**  
Smart Fix with slot 80 mm

Smart Fix	X mm	Y mm	Z mm
SG 11206 / SG 11216	51		
SG 11207 / SG 11217	71		
SG 11208 / SG 11218	91		
SG 11154	102-130		
SG 11155	132-160	68	65-72
SG 11156	182-210	68	65-123



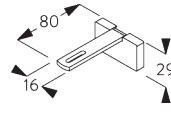
**SG 11208**

Smart Fix with slot 100 mm



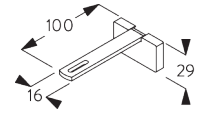
**SG 11216**

Square Smart Fix with slot 60 mm



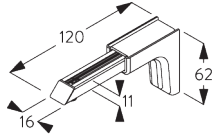
**SG 11217**

Square Smart Fix with slot 80 mm



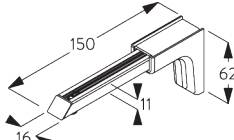
**SG 11218**

Square Smart Fix with slot 100 mm



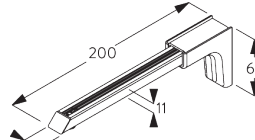
**SG 11154**

Universal Smart Fix 120 mm



**SG 11155**

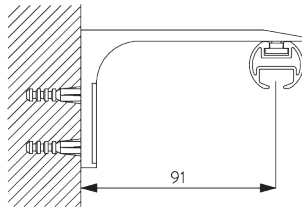
Universal Smart Fix 150 mm



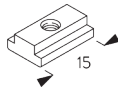
**SG 11156**

Universal Smart Fix 200 mm

**Fillet Bracket  
SG 11669**



Screw SG 10492 (M4x8) needed.  
Recommended for straight systems only.



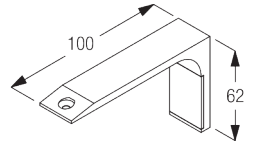
**SG 6141**

Clamping piece



**SG 10492**

Pan head screw M4x8



**SG 11669**

Fillet bracket

# DESIGN & SYSTEM OPTIONS

**A. ENDCAPS**



SG 11602



SG 11621



SG 11622

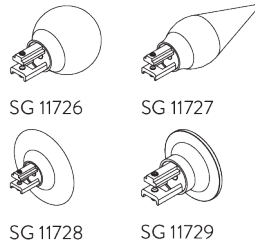
*Endcaps:*

- SG 11602 Flush endcap 23 mm
- SG 11621 Stud endcap 23 mm
- SG 11622 Design endcap 23 mm

*Please note:*

- Without finials, poles are supplied as standard with flush fitting endcaps SG 11602 (left).
- Alternatively, stud endcaps SG 11621 can be selected at no additional cost.

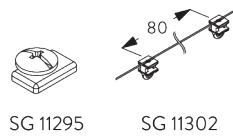
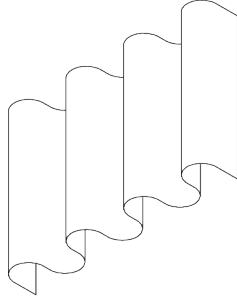
## B. FINIALS



Finials are decorative elements that fit on at the end of the pole:

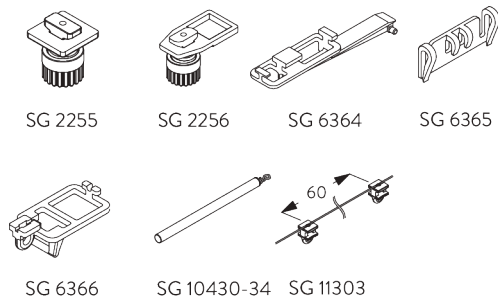
- SG 11726 Ball end 23 mm
- SG 11727 Spear 23 mm
- SG 11728 Ellipse 23 mm
- SG 11729 Taper 23 mm

## C. WAVE



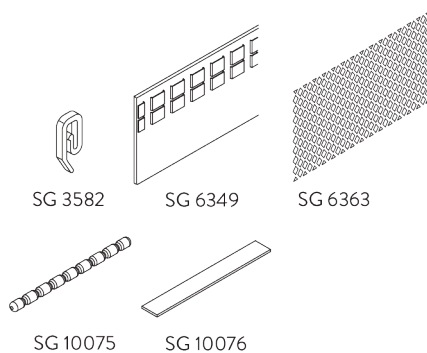
Standard components:

- SG 11295 End stop
- SG 11302 Wave 2C glider cord 80 mm



Optional components (min. Radius >25 cm):

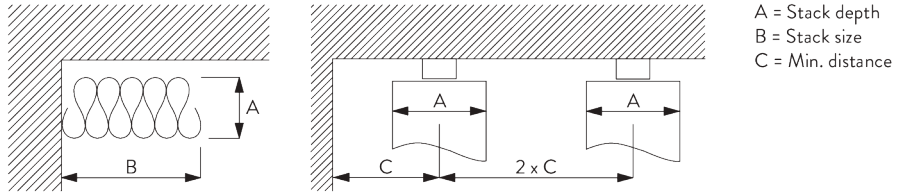
- SG 2255 Brake
- SG 2256 Brake
- SG 6364 Wave extension
- SG 6365 Wave hanger
- SG 6366 Wave carrier for draw rod
- SG 10430-34 Draw rod
- SG 11303 Wave 2C glider cord 60 mm



Curtain components:

- SG 3582 Hook
- SG 6349 Wave curtain tape
- SG 6363 Wave top hemming tape
- SG 10075 Lead weight 50 gr/m
- SG 10076 Fabric weigh

Wave stack depth - 2C glider cord (standard components)




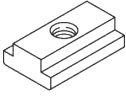
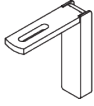
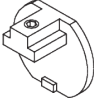
2C Glider cord SG 11302	Pockets between hooks	Approx. curtain fullness	Stack depth A	Stack size B*	Min distance C
80	6	~2.1	140	180 per metre of track	90
80	7	~2.3	160	180 per metre of track	100

2C Glider cord SG 11303	Pockets between hooks	Approx. curtain fullness	Stack depth A	Stack size B*	Min distance C
60	4	~2.1	100	230 per metre of track	70
60	5	~2.3	120	230 per metre of track	80

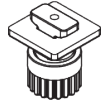
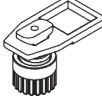
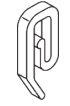

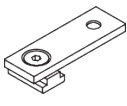
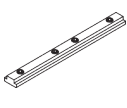
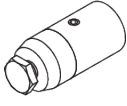
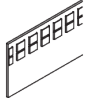

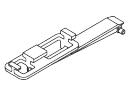
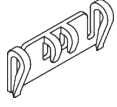
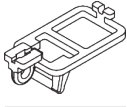

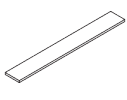
\*Stack size B when using optional extension arm SG 6364 increases by 95 mm per curtain stack!

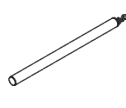
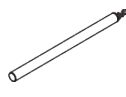
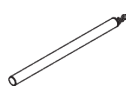
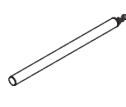
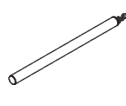
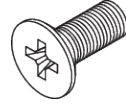

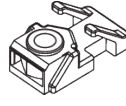
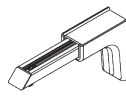
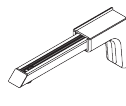
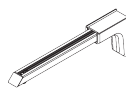
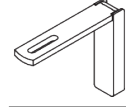
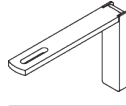
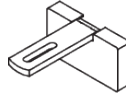
# PARTS

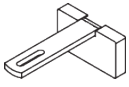
## A. STANDARD PARTS

	<b>SG 6065</b> End stop
	<b>SG 6141</b> Clamping piece
	<b>SG 6245</b> Spring stop
	<b>SG 10492</b> Pan head screw M4x8
	<b>SG 11206</b> Smart Fix with slot 60 mm
	<b>SG 11300</b> 2C glider
	<b>SG 11602</b> Flush end cap 23 mm
	<b>SG 11606</b> Profile

## B. OPTIONAL PARTS

	<b>SG 2255</b> Brake
	<b>SG 2256</b> Brake
	<b>SG 3582</b> Hook
	<b>SG 3599</b> Hook
	<b>SG 6151</b> Ceiling support set 3 mm
	<b>SG 6173</b> Connection bridge
	<b>SG 6175</b> Mini hanger
	<b>SG 6349</b> Wave curtain tape
	<b>SG 6363</b> Wave top hemming tape
	<b>SG 6364</b> Wave extension
	<b>SG 6365</b> Wave hanger
	<b>SG 6366</b> Wave carrier for draw rod
	<b>SG 10075</b> Lead weight 50 g/m
	<b>SG 10076</b> Fabric weight

	<b>SG 10430</b> Draw rod 50 cm
	<b>SG 10431</b> Draw rod 75 cm
	<b>SG 10432</b> Draw rod 100 cm
	<b>SG 10433</b> Draw rod 125 cm
	<b>SG 10434</b> Draw rod 150 cm
	<b>SG 11127</b> Countersunk head screw M4x10
	<b>SG 11131</b> Pan head screw with flange M4x6
	<b>SG 11148</b> Nut
	<b>SG 11154</b> Universal Smart Fix 120 mm
	<b>SG 11155</b> Universal Smart Fix 150 mm
	<b>SG 11156</b> Universal Smart Fix 200 mm
	<b>SG 11207</b> Smart Fix with slot 80 mm
	<b>SG 11208</b> Smart Fix with slot 100 mm
	<b>SG 11216</b> Square Smart Fix with slot 60 mm

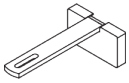


---

**SG 11217**

Square Smart Fix with slot 80 mm

---

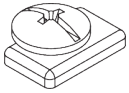


---

**SG 11218**

Square Smart Fix with slot 100 mm

---



---

**SG 11295**

End stop

---

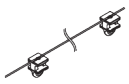


---

**SG 11301**

2C glider cord on strip

---

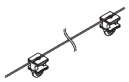


---

**SG 11302**

Wave 2C glider cord 80 mm

---



---

**SG 11303**

Wave 2C glider cord 60 mm

---

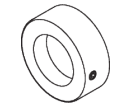


---

**SG 11621**

Stud end cap 23 mm

---

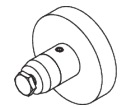


---

**SG 11622**

Design end cap 23 mm

---

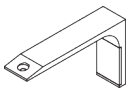


---

**SG 11668**

Top fix bracket

---

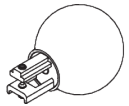


---

**SG 11669**

Fillet bracket

---

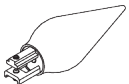


---

**SG 11726**

Ball end 23 mm

---



---

**SG 11727**

Spear 23 mm

---

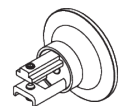


---

**SG 11728**

Ellipse 23 mm

---



---

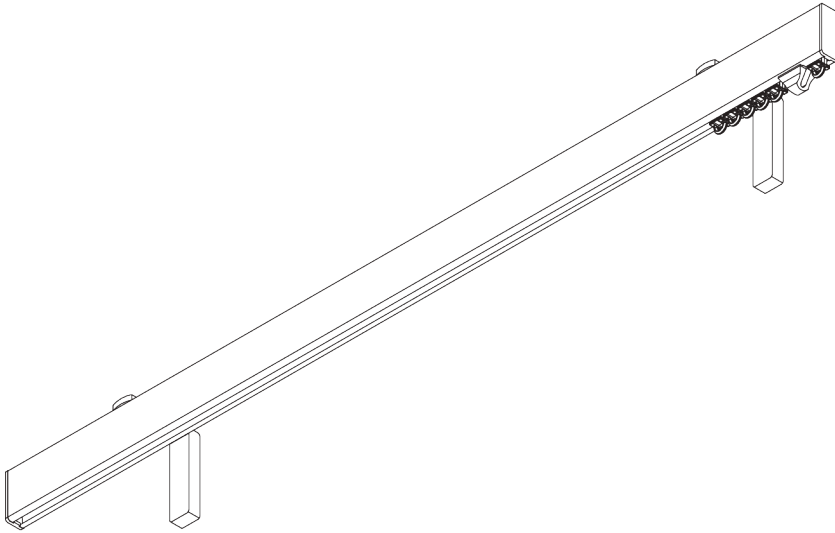
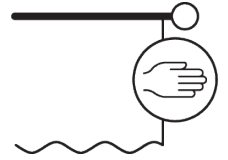
**SG 11729**

Taper 23 mm

---

# SG 7605

---



## PRODUCT INFORMATION

- **Operation:** hand
- **Range:** S - M
- **Fitting:** ceiling, wall
- **Colours:** white RAL 9016, various colours / finishes
- **Fabrics:** refer to Silent Gliss fabric collection

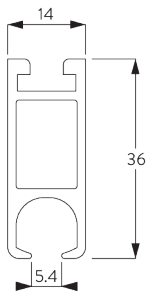
### **Features:**

- 2-component (2C) glider technology
- Wave (2C)
- Matching endcaps and brackets / bracket covers
- Bendable

# SYSTEM SPECIFICATIONS

## A. PROFILE

Profile and bending information

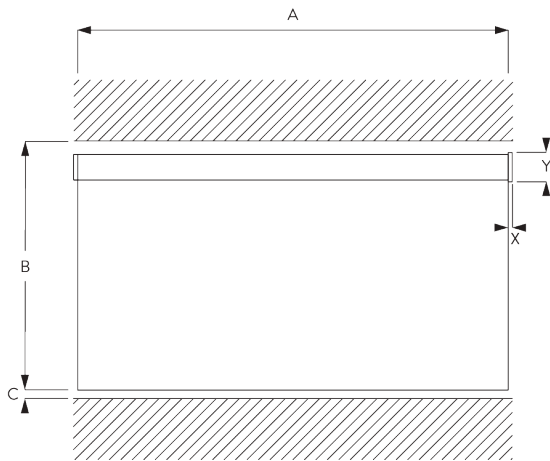


**SG 6101**

Profile

Radius:  
20 cm, >25 cm

## B. HOW TO MEASURE



A: System width without endcaps  
B: System height  
C: Distance between floor and fabric  
X: Endcap width  
Y: Endcap height

## Endcap Measurements

		36 mm	
		X	Y
	SG 11601	2	36
	SG 11611	5	40



## C. SPECIFICATION

### TEXT

#### SV

Silent Gliss SG 7605 'Metropole' handdragssystem består av kraftig aluminiumprofil 6101, H 36mm x B 14 mm, levereras i specificerade längder. 14 st 2C glid SG 11300 per meter, 2 st vridstopp SG 6065, 2st ändskydd SG 11601. Raka profiler levereras som standard med väggvinkel "Smart Fix" SG 11206. Alternativ väggvinkel Smart Fix SG11207-11208/ Smart Fix Square SG 11216-11218 eller Fillet SG 11669. Takbeslag SG 11668 eller minihängare SG 6175, samtliga beslag monteras c/c 600mm. Profil och beslag lackeras i Vit, Matt vit, Silver, Taupe, Antique bronze, Svart, Charcoal eller Bronze, ändskydd levereras i matchande färg. Wave finns som alternativ. Wave 2C glid 60 mm SG 11303 / 80 mm SG 11302. Levereras som standard med stoppskruv SG 11295. Alternativt rullglid med krok SG 6094/ rullglid med ögla SG 6098.

#### NO

Silent Gliss SG 7605 Metropole håndført gardinskinnesystem. Består av 36x14 mm (HxB) aluminiumsprofil SG 6100 i spesifiserte lengder med 14 stk 2C glidere SG 11300 pr. meter, 2 stk SG 6065 vristopper og 2 stk Flush endeløkk SG 11601. Rette system leveres som standard med 60 mm veggvinkel Smart Fix SG 11206 hver 600 mm. Alternative veggvinkler Smart Fix SG 11207-11208 / Square Smart Fix SG 11216-11218 eller Fillet brakett SG 11669. Alternative takfester er Top Fix SG 11668 eller Mini-henger SG 6175, alle fester monteres c/c 600 mm. Farger: White, Matt White, Silver, Taupe, Antique Bronze, Bronze, Charcoal og matt Black. Endedekor: Flush og Stud. Alternativ med Wave 80 mm 2C glider SG 11302 eller 60 mm SG 11303. Leveres som standard med stoppskrue SG 11295. Kan også leveres med rulleglider med krok SG 6094 / rulleglider med øye SG 6098.

#### DA

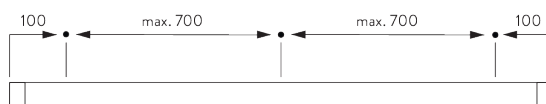
Silent Gliss SG 7605 Metropole håndtrukket gardinskinnesystem. Består af en 36x14 mm (HxB) aluminiumsprofil SG 6100 i ønsket længde med 14 stk 2C glidere SG 11300 pr. meter, 2 stk SG 6065 endestop og 2 stk Flush endelæg SG 11601. Leveres som standard med 60 mm vægvinkel Smart Fix SG 11206 for hver 600 mm. Alternative vægvinkler Smart Fix SG 11207-11208 / Square Smart Fix SG 11216-11218 eller Fillet vinkel SG 11669. Alternative loftbeslag er Top Fix SG 11668 eller Mini hanger SG 6175, alle beslag monteres c/c 600 mm. Farver: White, Matt White, Silver, Taupe, Antique Bronze, Bronze, Charcoal og Black. Endedekor: Flush og Stud. Alternativ med Wave 80 mm 2C glider SG 11302 eller 60 mm SG 11303. Leveres som standard med stoppskrue SG 11295. Kan også leveres med rulleglider med krog SG 6094 / rulleglider med øje SG 6098.

# FITTING

## A. FITTING INFORMATION

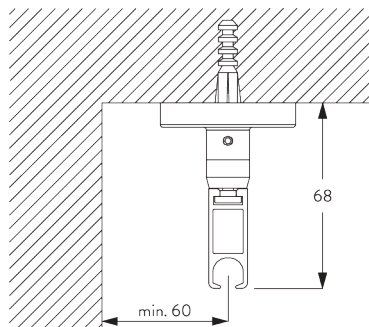
### Fixing points

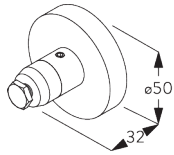
For detailed fitting information, visit the Silent Gliss website.



## B. CEILING FITTING

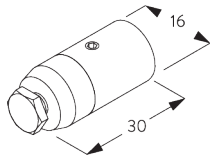
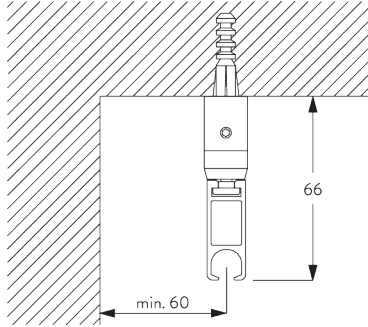
### Top fix bracket SG 11668





**SG 11668**  
Top fix bracket

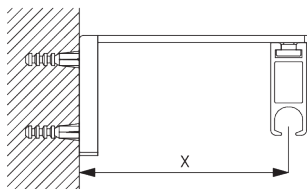
**Mini hanger SG 6175**



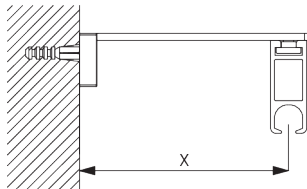
**SG 6175**  
Mini hanger

**C. WALL FITTING**

**Smart Fix**

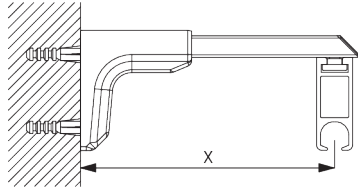


**Smart Fix with slot SG 11206 - SG 11208 and SG 6141:**  
Screw SG 10492 (M4x8) needed.

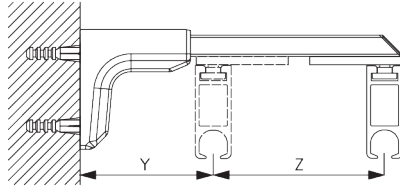


**Square Smart Fix with slot SG 11216 - SG 11218 and SG 6141:**  
Screw SG 10492 (M4x8) needed.

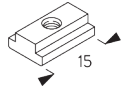
Smart Fix	X mm	Y mm	Z mm
SG 11206 / SG 11216	51		
SG 11207 / SG 11217	71		
SG 11208 / SG 11218	91		
SG 11154	102-130		
SG 11155	132-160	68	65-72
SG 11156	182-210	68	65-123



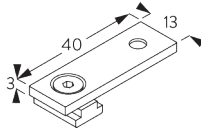
**Universal Smart Fix SG 11154 - SG 11156 and SG 6141:**  
Screw SG 11131 (M4x6) needed.



**Double System:**  
**Universal Smart Fix SG 11155 - SG 11156 and SG 6151:**  
Screw SG 11127 (M4x10) and nut SG 11148 needed.



**SG 6141**  
Clamping piece



**SG 6151**  
Ceiling support set 3 mm



**SG 10492**  
Pan head screw M4x8



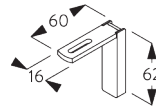
**SG 11127**  
Countersunk head screw  
M4x10



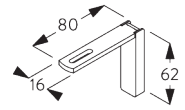
**SG 11131**  
Pan head screw with flange  
M4x6



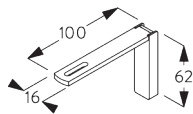
**SG 11148**  
Nut



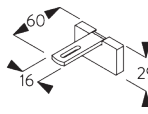
**SG 11206**  
Smart Fix with slot 60 mm



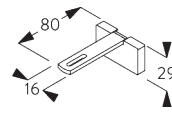
**SG 11207**  
Smart Fix with slot 80 mm



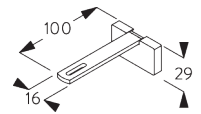
**SG 11208**  
Smart Fix with slot 100 mm



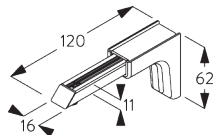
**SG 11216**  
Square Smart Fix with slot 60  
mm



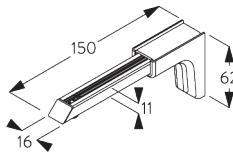
**SG 11217**  
Square Smart Fix with slot 80  
mm



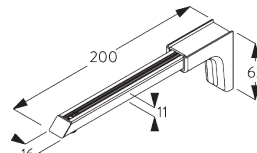
**SG 11218**  
Square Smart Fix with slot  
100 mm



**SG 11154**  
Universal Smart Fix 120 mm

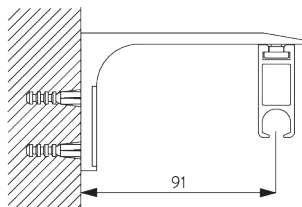


**SG 11155**  
Universal Smart Fix 150 mm

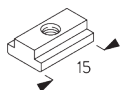


**SG 11156**  
Universal Smart Fix 200 mm

## Fillet Bracket SG 11669



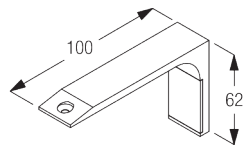
Screw SG 10492 (M4x8) needed.  
Recommended for straight systems only.



**SG 6141**  
Clamping piece



**SG 10492**  
Pan head screw M4x8



**SG 11669**  
Fillet bracket

# DESIGN & SYSTEM OPTIONS

## A. ENDCAPS



SG 11601

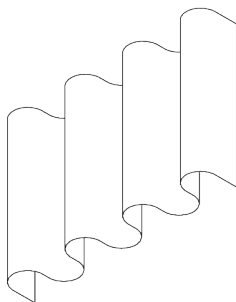


SG 11611

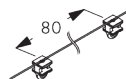
Please note:

- Poles are supplied as standard with flush fitting endcaps SG 11601 (left).
- Alternatively, stud endcaps SG 11611 (right) can be selected at no additional cost.

## B. WAVE



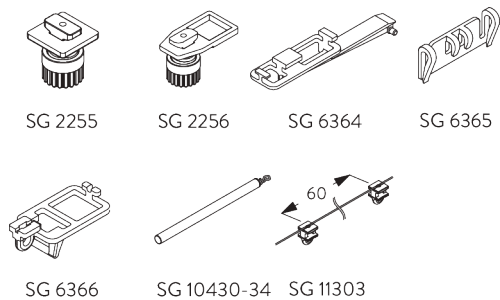
SG 11295



SG 11302

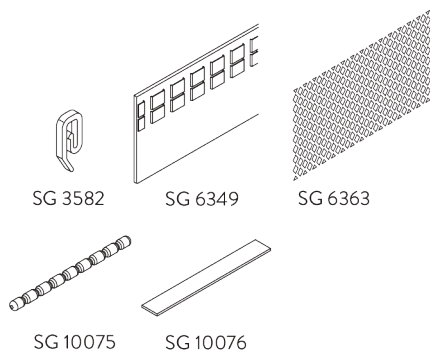
Standard components:

- SG 11295 End stop
- SG 11302 Wave 2C glider cord 80 mm



Optional components (min. Radius >25 cm):

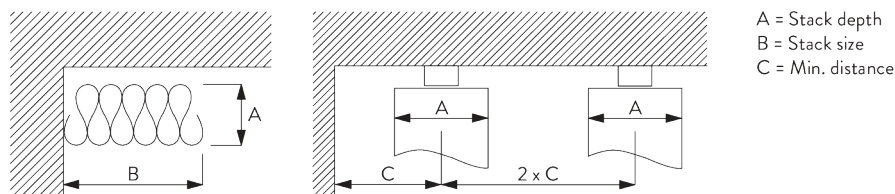
- SG 2255 Brake
- SG 2256 Brake
- SG 6364 Wave extension
- SG 6365 Wave hanger
- SG 6366 Wave carrier for draw rod
- SG 10430-34 Draw rod
- SG 11303 Wave 2C glider cord 60 mm



Curtain components:

- SG 3582 Hook
- SG 6349 Wave curtain tape
- SG 6363 Wave top hemming tape
- SG 10075 Lead weight 50 gr/m
- SG 10076 Fabric weigh

Wave stack depth - 2C glider cord (standard components)



A = Stack depth  
B = Stack size  
C = Min. distance

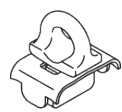
2C Glider cord SG 11302	Pockets between hooks	Approx. curtain fullness	Stack depth A	Stack size B*	Min distance C
80	6	~2.1	140	180 per metre of track	90
80	7	~2.3	160	180 per metre of track	100

2C Glider cord SG 11303	Pockets between hooks	Approx. curtain fullness	Stack depth A	Stack size B*	Min distance C
60	4	~2.1	100	230 per metre of track	70
60	5	~2.3	120	230 per metre of track	80

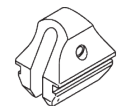
\*Stack size B when using optional extension arm SG 6364 increases by 95 mm per curtain stack!

# PARTS

## A. STANDARD PARTS



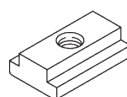
**SG 6065**  
End stop



**SG 6086**  
Spring stop



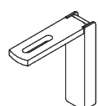
**SG 6101**  
Profile



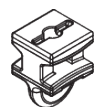
**SG 6141**  
Clamping piece



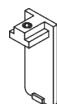
**SG 10492**  
Pan head screw M4x8



**SG 11206**  
Smart Fix with slot 60 mm

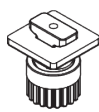


**SG 11300**  
2C glider

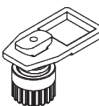


**SG 11601**  
Flush end cap 36 mm

## B. OPTIONAL PARTS



**SG 2255**  
Brake



**SG 2256**  
Brake



**SG 3582**  
Hook



**SG 3599**  
Hook



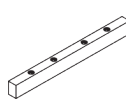
**SG 6053**  
Spring stop



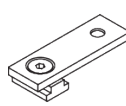
**SG 6094**  
Roller



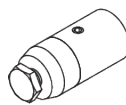
**SG 6098**  
Roller



**SG 6112**  
Connection bridge



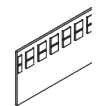
**SG 6151**  
Ceiling support set 3 mm



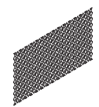
**SG 6175**  
Mini hanger



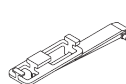
**SG 6283**  
Roller



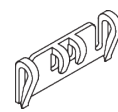
**SG 6349**  
Wave curtain tape



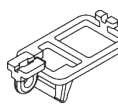
**SG 6363**  
Wave top hemming tape



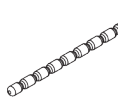
**SG 6364**  
Wave extension



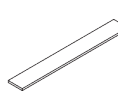
**SG 6365**  
Wave hanger



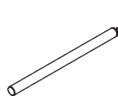
**SG 6366**  
Wave carrier for draw rod



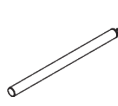
**SG 10075**  
Lead weight 50 g/m



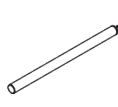
**SG 10076**  
Fabric weight



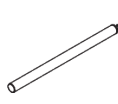
**SG 10430**  
Draw rod 50 cm



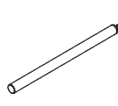
**SG 10431**  
Draw rod 75 cm



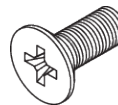
**SG 10432**  
Draw rod 100 cm



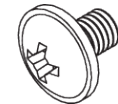
**SG 10433**  
Draw rod 125 cm



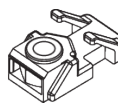
**SG 10434**  
Draw rod 150 cm



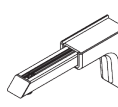
**SG 11127**  
Countersunk head screw M4x10



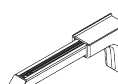
**SG 11131**  
Pan head screw with flange M4x6



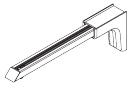
**SG 11148**  
Nut



**SG 11154**  
Universal Smart Fix 120 mm



**SG 11155**  
Universal Smart Fix 150 mm

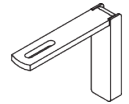


---

**SG 11156**

Universal Smart Fix 200 mm

---

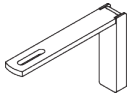


---

**SG 11207**

Smart Fix with slot 80 mm

---

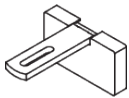


---

**SG 11208**

Smart Fix with slot 100 mm

---

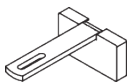


---

**SG 11216**

Square Smart Fix with slot 60 mm

---

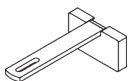


---

**SG 11217**

Square Smart Fix with slot 80 mm

---

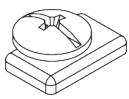


---

**SG 11218**

Square Smart Fix with slot 100 mm

---



---

**SG 11295**

End stop

---

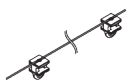


---

**SG 11301**

2C glider on strip

---

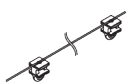


---

**SG 11302**

Wave 2C glider cord 80 mm

---

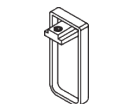


---

**SG 11303**

Wave 2C glider cord 60 mm

---



---

**SG 11611**

Stud end cap 36 mm

---

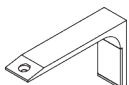


---

**SG 11668**

Top fix bracket

---



---

**SG 11669**

Fillet bracket

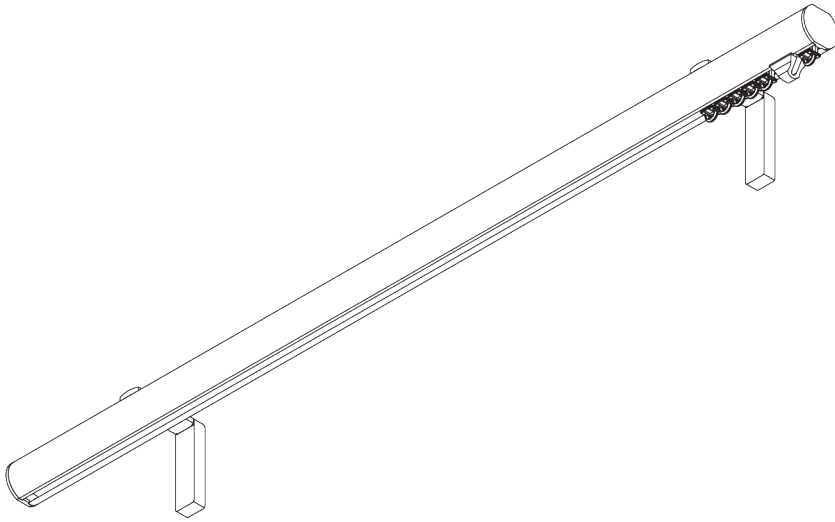
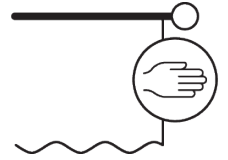
---





# SG 7610

---



## PRODUCT INFORMATION

- **Operation:** hand
- **Range:** S - M
- **Fitting:** ceiling, wall
- **Colours:** white RAL 9016, various colours / finishes
- **Fabrics:** refer to Silent Gliss fabric collection

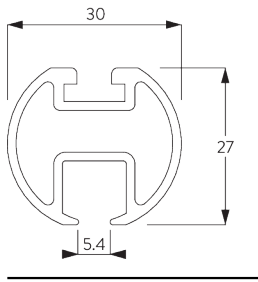
### **Features:**

- 2-component (2C) glider technology
- Wave (2C)
- Matching endcaps and brackets / bracket covers
- Range of decorative finials
- Bendable

# SYSTEM SPECIFICATIONS

## A. PROFILE

Profile and bending information

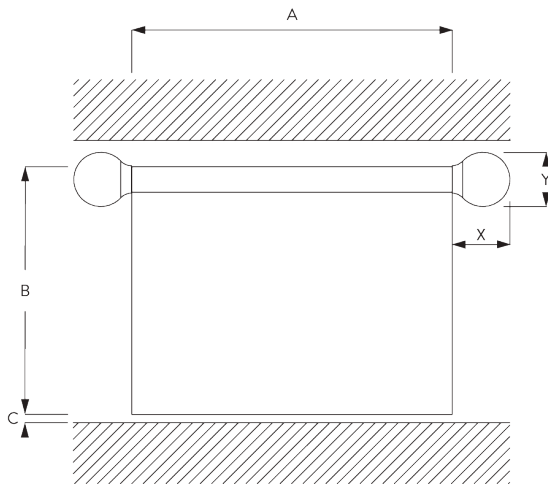


SG 6103p

Profile



## B. HOW TO MEASURE



A: System width without finials


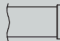


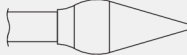


B: System height

C: Distance between floor and fabric

X: Finial width

Y: Finial height

## Finial Measurements

		30 mm	
		X	Y
	SG 11603	2	30
	SG 11631	10	34
	SG 11632	18	50
	SG 11746	64	60
	SG 11747	116	48
	SG 11748	26	90
	SG 11749	20	60

## C. SPECIFICATION

### TEXT

### SV

Silent Gliss SG 7610 Metropole handdragssystem, består av 30mm rund aluminiumprofil SG 6103, levereras i specificerade längder. 14 st 2C glid SG 11300 per meter, 2 st vridstopp SG 6065, 2st ändskydd SG 11603. Raka profiler levereras som standard med väggvinkel "Smart Fix" SG 11206. Alternativ väggvinkel Smart Fix SG11207-11208/ Smart Fix Square SG 11216-11218 eller Fillet SG 11669. Takbeslag SG 11668 eller minihängare SG 6175, samtliga beslag monteras c/c 600mm. Profil och beslag lackeras i Vit, Matt vit, Silver, Taupe, Antique bronze, Svart, Charcoal eller Bronze, ändskydd levereras i matchande färg. Wave finns som alternativ. Wave 2C glid 60 mm SG 11303 / 80 mm SG 11302. Levereras som standard med stoppskruv SG 11295. Alternativt rullglid med krok SG 6094/ rullglid med ögla SG 6098.

### NO

Silent Gliss SG 7610 Metropole håndført gardinskinnesystem. Består av 30 mm rund aluminiumsprofil SG 6103 i spesifiserte lengder med 14 stk 2C glider SG 11300 pr. meter, 2 stk SG 6065 vristopper og 2 stk Flush endeløkk SG 11603. Rette system leveres som standard med veggvinkel Smart Fix SG 11206 hver 600 mm. Alternative veggvinkler Smart Fix SG 11207-11208 / Square Smart Fix SG 11216-11218 eller Fillet brakett SG 11669. Alternative takfester er Top Fix SG 11668 eller Mini-henger SG 6175, alle fester monteres c/c 600 mm. Farger: White, Matt White, Silver, Taupe, Antique Bronze, Bronze, Charcoal og matt Black. Endedekor: Flush, Stud, Design, Ball, Taper, Ellipse og Spear. Alternativ med Wave 80 mm 2C glider SG 11302 eller 60 mm SG 11303. Leveres som standard med stoppskrue SG 11295. Kan også leveres med rulleglider med krok SG 6094 / rulleglider med øye SG 6098.

### DA

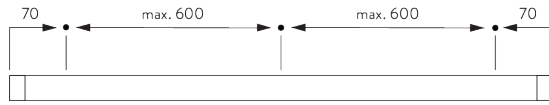
Silent Gliss SG 7610 Metropole håndtrukket gardinskinnesystem. Består af en 30 mm aluminiumsprofil SG 6103 i ønsket længde med 14 stk 2C glidere SG 11300 pr. meter, 2 stk SG 6065 endestop og 2 stk Flush endelæg SG 11603. Leveres som standard med 60 mm vægvinkel Smart Fix SG 11206 for hver 600 mm. Alternative vægvinkler Smart Fix SG 11207-11208 / Square Smart Fix SG 11216-11218 eller Fillet vinkel SG 11669. Alternative loftbeslag er Top Fix SG 11668 eller Mini hanger SG 6175, alle beslag monteres c/c 600 mm. Farver: White, Matt White, Silver, Taupe, Antique Bronze, Bronze, Charcoal og Black. Endedekor: Flush, Stud, Design, Ball, Taper, Ellipse og Spear. Alternativ med Wave 80 mm 2C glider SG 11302 eller 60 mm SG 11303. Leveres som standard med stoppskrue SG 11295. Kan også leveres med rulleglider med krog SG 6094 / rulleglider med øje SG 6098.

# FITTING

## A. FITTING INFORMATION

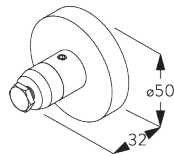
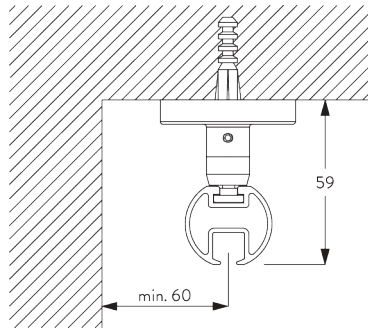
For detailed fitting information, visit the *Silent Gliss* website.

### Fixing points



## B. CEILING FITTING

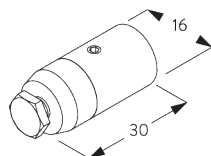
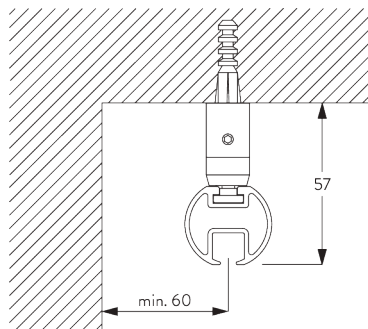
### Top fix bracket SG 11668



**SG 11668**

*Top fix bracket*

### Mini hanger SG 6175

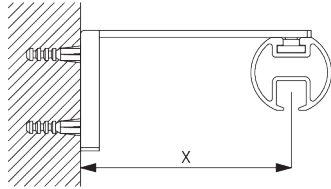


**SG 6175**

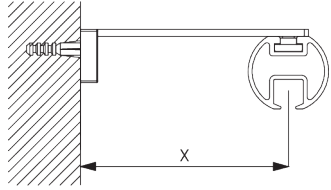
*Mini hanger*

## C. WALL FITTING

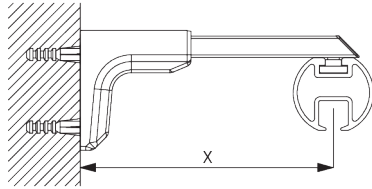
### Smart Fix



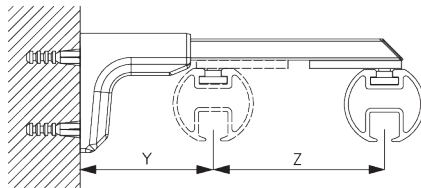
**Smart Fix with slot SG 11206 - SG 11208 and SG 6141:**  
Screw SG 10492 (M4x8) needed.



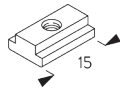
**Square Smart Fix with slot SG 11216 - SG 11218 and SG 6141:**  
Screw SG 10492 (M4x8) needed.



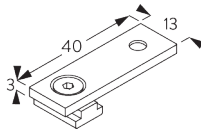
**Universal Smart Fix SG 11154 - SG 11156 and SG 6141:**  
Screw SG 11131 (M4x6) needed.



**Double System:**  
**Universal Smart Fix SG 11155 - SG 11156 and SG 6151:**  
Screw SG 11127 (M4x10) and nut SG 11148 needed.



**SG 6141**  
Clamping piece



**SG 6151**  
Ceiling support set 3 mm



**SG 10492**  
Pan head screw M4x8



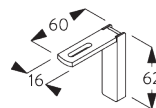
**SG 11127**  
Countersunk head screw  
M4x10



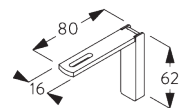
**SG 11131**  
Pan head screw with flange  
M4x6



**SG 11148**  
Nut

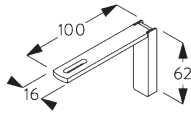


**SG 11206**  
Smart Fix with slot 60 mm



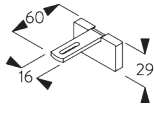
**SG 11207**  
Smart Fix with slot 80 mm

Smart Fix	X mm	Y mm	Z mm
SG 11206 / SG 11216	51		
SG 11207 / SG 11217	71		
SG 11208 / SG 11218	91		
SG 11154	102-130		
SG 11155	132-160	68	65-72
SG 11156	182-210	68	65-123



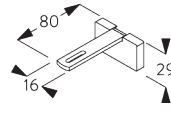
**SG 11208**

Smart Fix with slot 100 mm



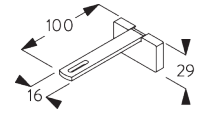
**SG 11216**

Square Smart Fix with slot 60 mm



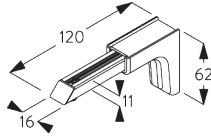
**SG 11217**

Square Smart Fix with slot 80 mm



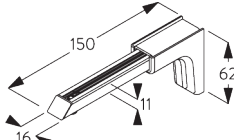
**SG 11218**

Square Smart Fix with slot 100 mm



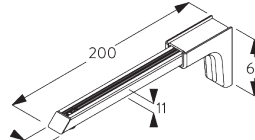
**SG 11154**

Universal Smart Fix 120 mm



**SG 11155**

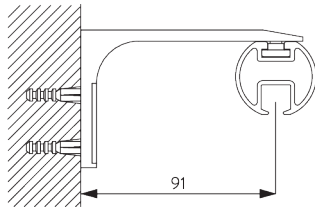
Universal Smart Fix 150 mm



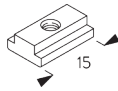
**SG 11156**

Universal Smart Fix 200 mm

## Fillet Bracket SG 11669



Screw SG 10492 (M4x8) needed.  
Recommended for straight systems only.



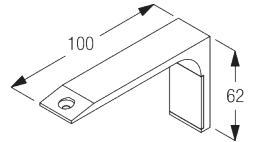
**SG 6141**

Clamping piece



**SG 10492**

Pan head screw M4x8



**SG 11669**

Fillet bracket

# DESIGN & SYSTEM OPTIONS

## A. ENDCAPS



SG 11603



SG 11631



SG 11632

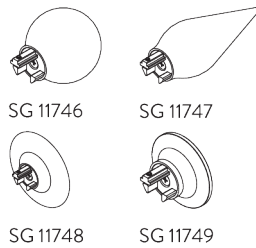
Endcaps:

- SG 11603 Flush endcap 30 mm
- SG 11631 Stud endcap 30 mm
- SG 11632 Design endcap 30 mm

Please note:

- Without finials, poles are supplied as standard with flush fitting endcaps SG 11603 (left).
- Alternatively, stud endcaps SG 11631 can be selected at no additional cost.

## B. FINIALS



SG 11746

SG 11747



SG 11748

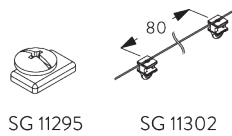
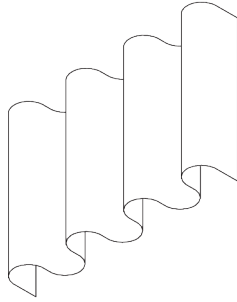


SG 11749

Finials are decorative elements that fit on at the end of the pole:

- SG 11746 Ball end 30 mm
- SG 11747 Spear 30 mm
- SG 11748 Ellipse 30 mm
- SG 11749 Taper 30 mm

## C. WAVE

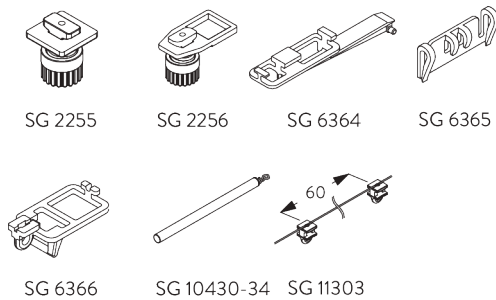


SG 11295

SG 11302

Standard components:

- SG 11295 End stop
- SG 11302 Wave 2C glider cord 80 mm

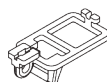


SG 2255

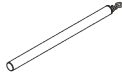
SG 2256

SG 6364

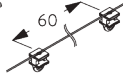
SG 6365



SG 6366



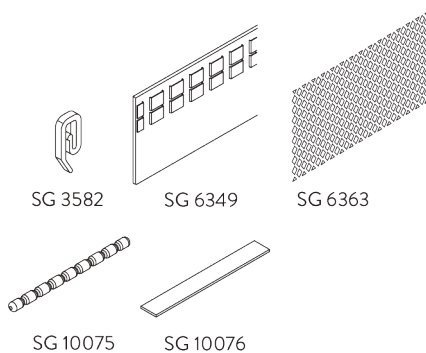
SG 10430-34



SG 11303

Optional components:

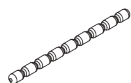
- SG 2255 Brake
- SG 2256 Brake
- SG 6364 Wave extension
- SG 6365 Wave hanger
- SG 6366 Wave carrier for draw rod
- SG 10430-34 Draw rod
- SG 11303 Wave 2C glider cord 60 mm



SG 3582

SG 6349

SG 6363



SG 10075

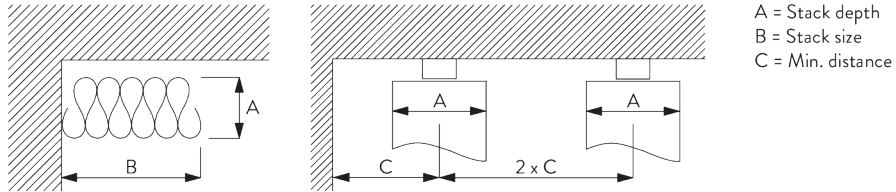


SG 10076

Curtain components:

- SG 3582 Hook
- SG 6349 Wave curtain tape
- SG 6363 Wave top hemming tape
- SG 10075 Lead weight 50 gr/m
- SG 10076 Fabric weigh

Wave stack depth - 2C glider cord (standard components)



2C Glider cord SG 11302	Pockets between hooks	Approx. curtain fullness	Stack depth A	Stack size B*	Min distance C
80	6	~2.1	140	180 per metre of track	90
80	7	~2.3	160	180 per metre of track	100




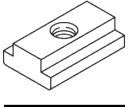

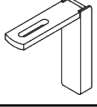
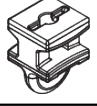

2C Glider cord SG 11303	Pockets between hooks	Approx. curtain fullness	Stack depth A	Stack size B*	Min distance C
60	4	~2.1	100	230 per metre of track	70
60	5	~2.3	120	230 per metre of track	80

\*Stack size B when using optional extension arm SG 6364  
 increases by 95 mm per curtain stack!

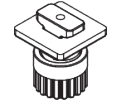
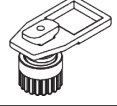




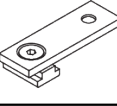
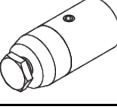
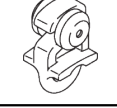

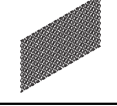
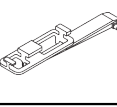
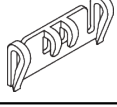
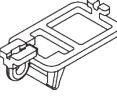


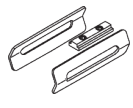
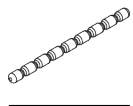
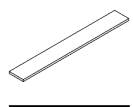
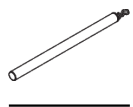
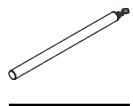
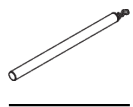
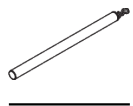
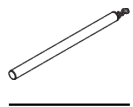
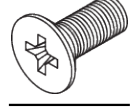
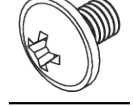
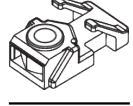
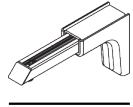
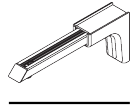
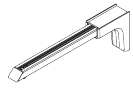
# PARTS

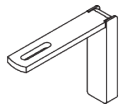
## A. STANDARD PARTS

	<b>SG 6065</b> End stop
	<b>SG 6086</b> Spring stop
	<b>SG 6103p</b> Profile
	<b>SG 6141</b> Clamping piece
	<b>SG 10492</b> Pan head screw M4x8
	<b>SG 11206</b> Smart Fix with slot 60 mm
	<b>SG 11300</b> 2C glider
	<b>SG 11603</b> Flush end cap 30 mm

## B. OPTIONAL PARTS

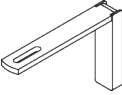
	<b>SG 2255</b> Brake
	<b>SG 2256</b> Brake
	<b>SG 3582</b> Hook
	<b>SG 3599</b> Hook
	<b>SG 6094</b> Roller
	<b>SG 6098</b> Roller
	<b>SG 6151</b> Ceiling support set 3 mm
	<b>SG 6175</b> Mini hanger
	<b>SG 6283</b> Roller
	<b>SG 6349</b> Wave curtain tape
	<b>SG 6363</b> Wave top hemming tape
	<b>SG 6364</b> Wave extension
	<b>SG 6365</b> Wave hanger
	<b>SG 6366</b> Wave carrier for draw rod

	<b>SG 6635</b> Connection bridge set
	<b>SG 10075</b> Lead weight 50 g/m
	<b>SG 10076</b> Fabric weight
	<b>SG 10430</b> Draw rod 50 cm
	<b>SG 10431</b> Draw rod 75 cm
	<b>SG 10432</b> Draw rod 100 cm
	<b>SG 10433</b> Draw rod 125 cm
	<b>SG 10434</b> Draw rod 150 cm
	<b>SG 11127</b> Countersunk head screw M4x10
	<b>SG 11131</b> Pan head screw with flange M4x6
	<b>SG 11148</b> Nut
	<b>SG 11154</b> Universal Smart Fix 120 mm
	<b>SG 11155</b> Universal Smart Fix 150 mm
	<b>SG 11156</b> Universal Smart Fix 200 mm



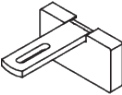
**SG 11207**

Smart Fix with slot 80 mm



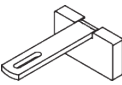
**SG 11208**

Smart Fix with slot 100 mm



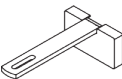
**SG 11216**

Square Smart Fix with slot 60 mm



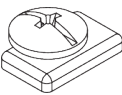
**SG 11217**

Square Smart Fix with slot 80 mm



**SG 11218**

Square Smart Fix with slot 100 mm



**SG 11295**

End stop



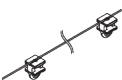
**SG 11301**

2C glider on strip



**SG 11302**

Wave 2C glider cord 80 mm



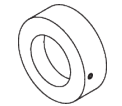
**SG 11303**

Wave 2C glider cord 60 mm



**SG 11631**

Stud end cap 30 mm



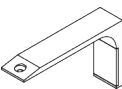
**SG 11632**

Design end cap 30 mm



**SG 11668**

Top fix bracket



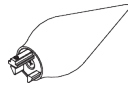
**SG 11669**

Fillet bracket



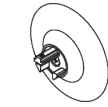
**SG 11746**

Ball end 30 mm



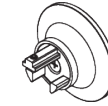
**SG 11747**

Spear 30 mm



**SG 11748**

Ellipse 30 mm

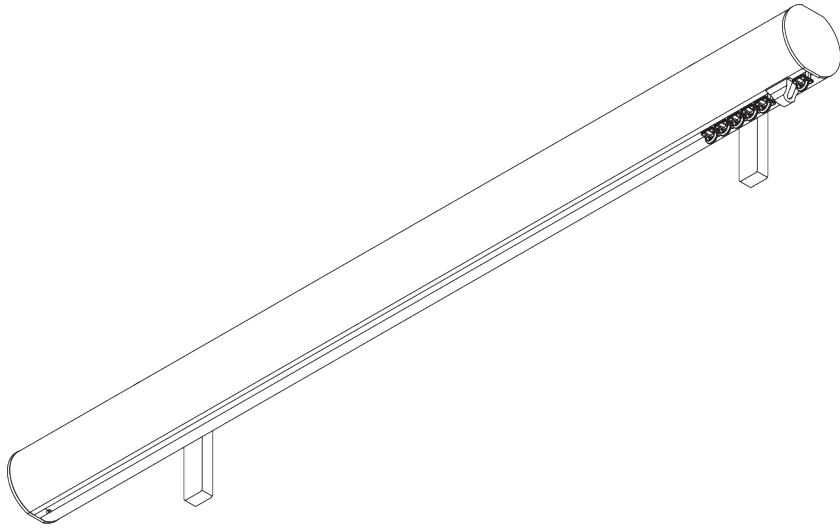
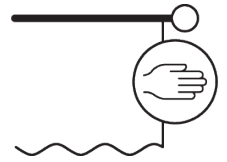


**SG 11749**

Taper 30 mm

# SG 7620

---



## PRODUCT INFORMATION

- **Operation:** hand
- **Range:** M - L
- **Fitting:** ceiling, wall
- **Colours:** white RAL 9016, various colours / finishes
- **Fabrics:** refer to Silent Gliss fabric collection

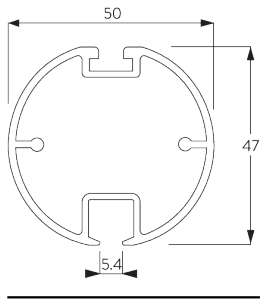
### **Features:**

- 2-component (2C) glider technology
- Wave (2C)
- Matching endcaps and brackets / bracket covers
- Range of decorative finials
- Bendable

# SYSTEM SPECIFICATIONS

## A. PROFILE

Profile and bending information

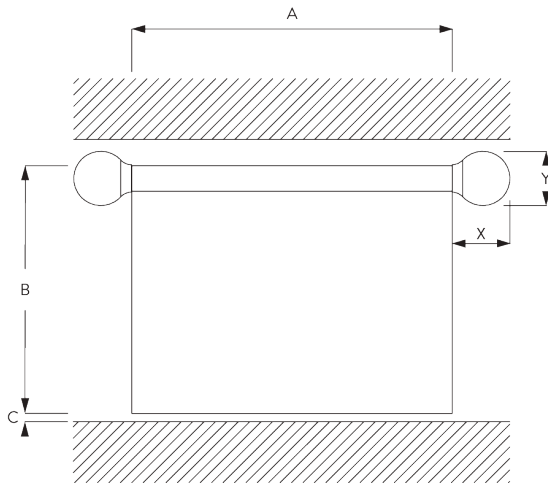


SG 11609

Profile

Radius:  
>50 cm

## B. HOW TO MEASURE



A: System width without finials


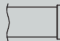


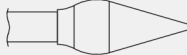


B: System height

C: Distance between floor and fabric

X: Finial width

Y: Finial height

## Finial Measurements

		50 mm	
		X	Y
	SG 11605	2	51
	SG 11651	10	56
	SG 11652	24	75
	SG 11776	90	85
	SG 11777	165	70
	SG 11778	32	130
	SG 11779	30	100

## C. SPECIFICATION

### TEXT

### SV

Silent Gliss SG 7620 Metropole handdragssystem, består av kraftig 50mm rund aluminiumprofil SG 11609, levereras i specificerade längder. 14 st 2C glid SG 11300 per meter, 2 st vridstopp SG 6065, 2st ändskydd SG 11605. Raka profiler levereras som standard med väggvinkel "Smart Fix" SG 11206. Alternativ väggvinkel Smart Fix SG11207-11208/ Smart Fix Square SG 11216-11218 eller Fillet SG 11669. Takbeslag SG 11668 eller minihängare SG 6175, samtliga beslag monteras c/c 600mm. Profil och beslag lackeras i Vit, Matt vit, Silver, Taupe, Antique bronze, Svart, Charcoal eller Bronze, ändskydd levereras i matchande färg. Wave finns som alternativ. Wave 2C glid 60 mm SG 11303 / 80 mm SG 11302. Levereras som standard med stoppskruv SG 11295. Alternativt rullglid med krok SG 6094/ rullglid med ögla SG 6098.

### NO

Silent Gliss SG 7620 Metropole håndført gardinskinnesystem. Består av 50 mm rund aluminiumsprofil SG 11609 i spesifiserte lengder med 14 stk 2C glidere SG 11300 pr. meter, 2 stk SG 6065 vristopper og 2 stk Flush endelokk SG 11605. Leveres som standard med veggvinkel Smart Fix SG 11206 hver 600 mm. Alternative veggvinkler Smart Fix SG 11207-11208 / Square Smart Fix SG 11216-11218 eller Fillet brakett SG 11669. Alternative takfester er Top Fix SG 11668 eller Mini-henger SG 6175, alle fester monteres c/c 600 mm. Farger: White, Matt White, Silver, Taupe, Antique Bronze, Bronze, Charcoal og matt Black. Endedekor: Flush, Stud, Design, Ball, Taper, Ellipse og Spear. Alternativ med Wave 80 mm 2C glider SG 11302 eller 60 mm SG 11303. Leveres som standard med stoppskrue SG 11295. Kan også leveres med rulleglider med krok SG 6094 / rulleglider med øye SG 6098.

### DA

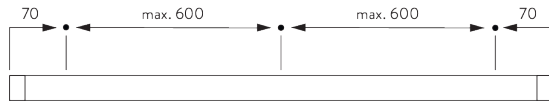
Silent Gliss SG 7620 Metropole håndtrukket gardinskinnesystem. Består af en 50 mm rund aluminiumsprofil SG 11609 i ønsket længde med 14 stk 2C glidere SG 11300 pr. meter, 2 stk SG 6065 endestop og 2 stk Flush endelæg SG 11605. Leveres som standard med 60 mm vægvinkel Smart Fix SG 11206 for hver 600 mm. Alternative vægvinkler Smart Fix SG 11207-11208 / Square Smart Fix SG 11216-11218 eller Fillet vinkel SG 11669. Alternative loftbeslag er Top Fix SG 11668 eller Mini hanger SG 6175, alle beslag monteres c/c 600 mm. Farver: White, Matt White, Silver, Taupe, Antique Bronze, Bronze, Charcoal og Black. Endedekor: Flush, Stud, Design, Ball, Taper, Ellipse og Spear. Alternativ med Wave 80 mm 2C glider SG 11302 eller 60 mm SG 11303. Leveres som standard med stoppskrue SG 11295. Kan også leveres med rulleglider med krog SG 6094 / rulleglider med øje SG 6098.

# FITTING

## A. FITTING INFORMATION

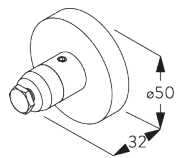
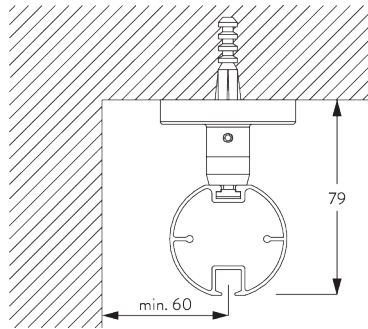
For detailed fitting information, visit the *Silent Gliss* website.

### Fixing points



## B. CEILING FITTING

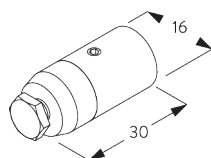
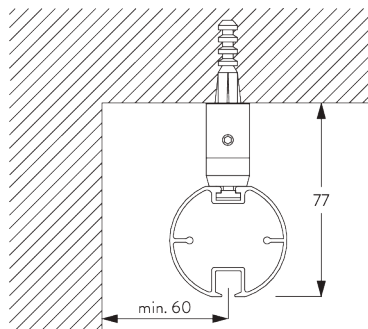
### Top fix bracket SG 11668



**SG 11668**

*Top fix bracket*

### Mini hanger SG 6175

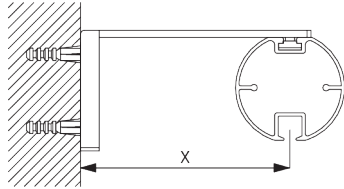


**SG 6175**

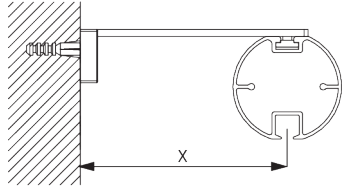
*Mini hanger*

## C. WALL FITTING

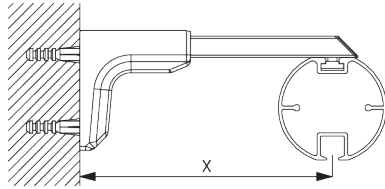
### Smart Fix



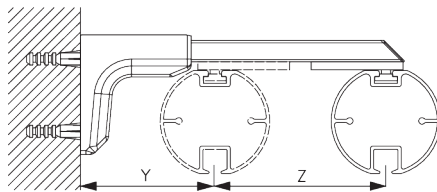
**Smart Fix with slot SG 11206 - SG 11208 and SG 6141:**  
Screw SG 10492 (M4x8) needed.



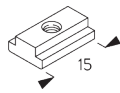
**Square Smart Fix with slot SG 11216 - SG 11218 and SG 6141:**  
Screw SG 10492 (M4x8) needed.



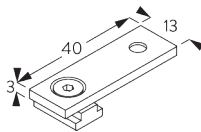
**Universal Smart Fix SG 11154 - SG 11156 and SG 6141:**  
Screw SG 11131 (M4x6) needed.



**Double System:**  
**Universal Smart Fix SG 11155 - SG 11156 and SG 6151:**  
Screw SG 11127 (M4x10) and nut SG 11148 needed.



**SG 6141**  
Clamping piece



**SG 6151**  
Ceiling support set 3 mm



**SG 10492**  
Pan head screw M4x8



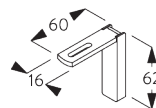
**SG 11127**  
Countersunk head screw  
M4x10



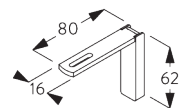
**SG 11131**  
Pan head screw with flange  
M4x6



**SG 11148**  
Nut

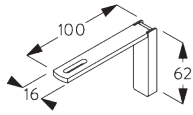


**SG 11206**  
Smart Fix with slot 60 mm



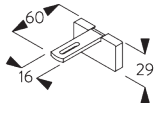
**SG 11207**  
Smart Fix with slot 80 mm

Smart Fix	X mm	Y mm	Z mm
SG 11206 / SG 11216	51		
SG 11207 / SG 11217	71		
SG 11208 / SG 11218	91		
SG 11154	102-130		
SG 11155	132-160	68	65-72
SG 11156	182-210	68	65-123



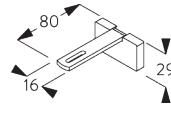
**SG 11208**

Smart Fix with slot 100 mm



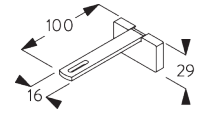
**SG 11216**

Square Smart Fix with slot 60 mm



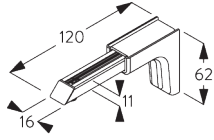
**SG 11217**

Square Smart Fix with slot 80 mm



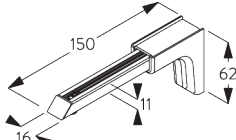
**SG 11218**

Square Smart Fix with slot 100 mm



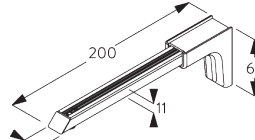
**SG 11154**

Universal Smart Fix 120 mm



**SG 11155**

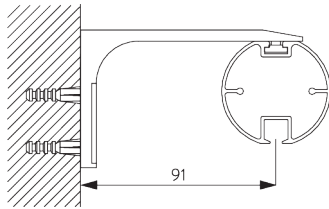
Universal Smart Fix 150 mm



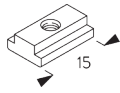
**SG 11156**

Universal Smart Fix 200 mm

## Fillet Bracket SG 11669



Screw SG 10492 (M4x8) needed.  
Recommended for straight systems only.



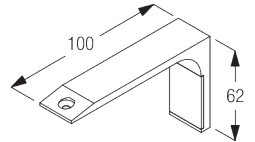
**SG 6141**

Clamping piece



**SG 10492**

Pan head screw M4x8



**SG 11669**

Fillet bracket

# DESIGN & SYSTEM OPTIONS

## A. ENDCAPS



SG 11605



SG 11651



SG 11652

Endcaps:

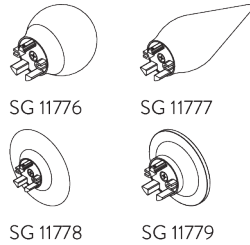
- SG 11605 Flush endcap 50 mm
- SG 11651 Stud endcap 50 mm
- SG 11652 Design endcap 50 mm

Please note:

- Without finials, poles are supplied as standard with flush fitting endcaps SG 11605 (left).
- Alternatively, stud endcaps SG 11651 can be selected at no additional cost.



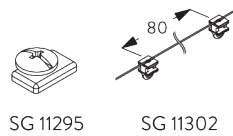
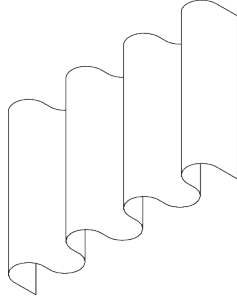
## B. FINIALS



Finials are decorative elements that fit on at the end of the pole:

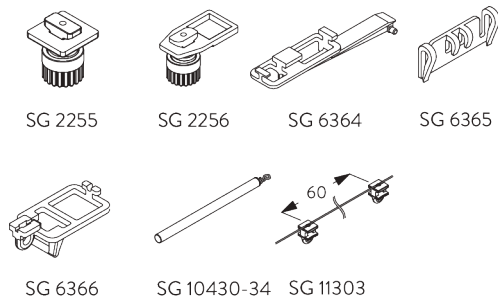
- SG 11776 Ball end 50 mm
- SG 11777 Spear 50 mm
- SG 11778 Ellipse 50 mm
- SG 11779 Taper 50 mm

## C. WAVE



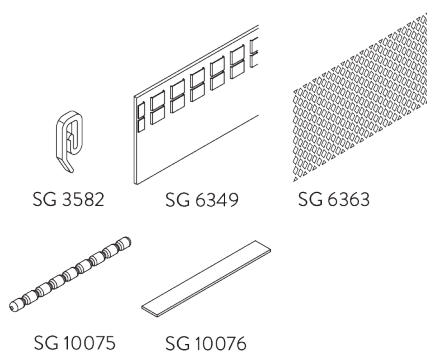
Standard components:

- SG 11295 End stop
- SG 11302 Wave 2C glider cord 80 mm



Optional components:

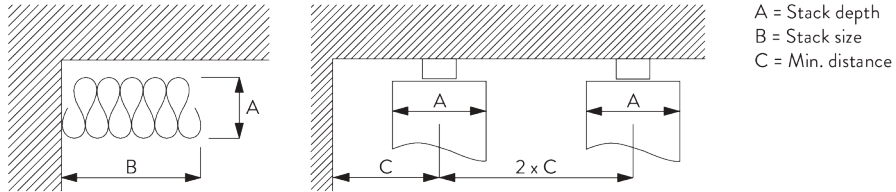
- SG 2255 Brake
- SG 2256 Brake
- SG 6364 Wave extension
- SG 6365 Wave hanger
- SG 6366 Wave carrier for draw rod
- SG 10430-34 Draw rod
- SG 11303 Wave 2C glider cord 60 mm



Curtain components:

- SG 3582 Hook
- SG 6349 Wave curtain tape
- SG 6363 Wave top hemming tape
- SG 10075 Lead weight 50 gr/m
- SG 10076 Fabric weigh

Wave stack depth - 2C glider cord (standard components)




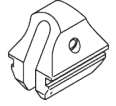
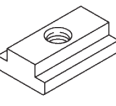
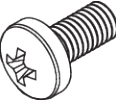
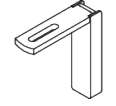


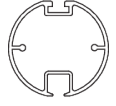
2C Glider cord SG 11302	Pockets between hooks	Approx. curtain fullness	Stack depth A	Stack size B*	Min distance C
80	6	~2.1	140	180 per metre of track	90
80	7	~2.3	160	180 per metre of track	100

2C Glider cord SG 11303	Pockets between hooks	Approx. curtain fullness	Stack depth A	Stack size B*	Min distance C
60	4	~2.1	100	230 per metre of track	70
60	5	~2.3	120	230 per metre of track	80

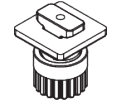
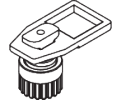




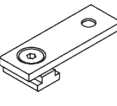
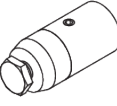
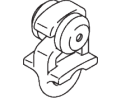

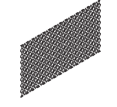
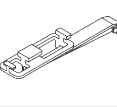
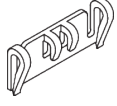
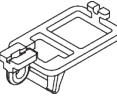
\*Stack size B when using optional extension arm SG 6364 increases by 95 mm per curtain stack!


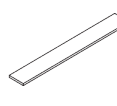
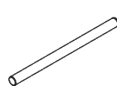
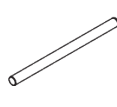
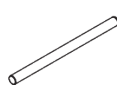
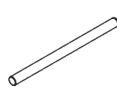
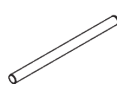
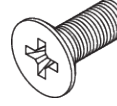
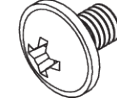
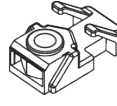
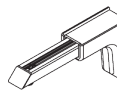
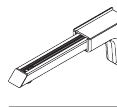
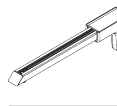
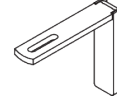
# PARTS

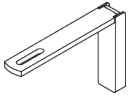
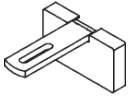
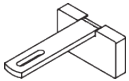
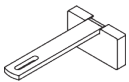
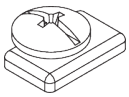
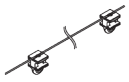
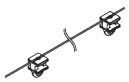
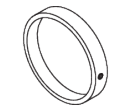
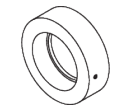
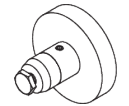
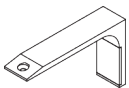
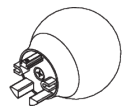
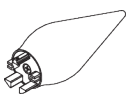
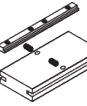
## A. STANDARD PARTS

	<b>SG 6065</b> End stop
	<b>SG 6086</b> Spring stop
	<b>SG 6141</b> Clamping piece
	<b>SG 10492</b> Pan head screw M4x8
	<b>SG 11206</b> Smart Fix with slot 60 mm
	<b>SG 11300</b> 2C glider
	<b>SG 11605</b> Flush end cap 50 mm
	<b>SG 11609</b> Profile

## B. OPTIONAL PARTS

	<b>SG 2255</b> Brake
	<b>SG 2256</b> Brake
	<b>SG 3582</b> Hook
	<b>SG 3599</b> Hook
	<b>SG 6094</b> Roller
	<b>SG 6098</b> Roller
	<b>SG 6151</b> Ceiling support set 3 mm
	<b>SG 6175</b> Mini hanger
	<b>SG 6283</b> Roller
	<b>SG 6349</b> Wave curtain tape
	<b>SG 6363</b> Wave top hemming tape
	<b>SG 6364</b> Wave extension
	<b>SG 6365</b> Wave hanger
	<b>SG 6366</b> Wave carrier for draw rod

	<b>SG 10075</b> Lead weight 50 g/m
	<b>SG 10076</b> Fabric weight
	<b>SG 10430</b> Draw rod 50 cm
	<b>SG 10431</b> Draw rod 75 cm
	<b>SG 10432</b> Draw rod 100 cm
	<b>SG 10433</b> Draw rod 125 cm
	<b>SG 10434</b> Draw rod 150 cm
	<b>SG 11127</b> Countersunk head screw M4x10
	<b>SG 11131</b> Pan head screw with flange M4x6
	<b>SG 11148</b> Nut
	<b>SG 11154</b> Universal Smart Fix 120 mm
	<b>SG 11155</b> Universal Smart Fix 150 mm
	<b>SG 11156</b> Universal Smart Fix 200 mm
	<b>SG 11207</b> Smart Fix with slot 80 mm

**SG 11208***Smart Fix with slot 100 mm***SG 11216***Square Smart Fix with slot 60 mm***SG 11217***Square Smart Fix with slot 80 mm***SG 11218***Square Smart Fix with slot 100 mm***SG 11295***End stop***SG 11301***2C glider on strip***SG 11302***Wave 2C glider cord 80 mm***SG 11303***Wave 2C glider cord 60 mm***SG 11651***Stud end cap 50 mm***SG 11652***Design end cap 50 mm***SG 11668***Top fix bracket***SG 11669***Fillet bracket***SG 11776***Ball end 50 mm***SG 11777***Spear 50 mm***SG 11778***Ellipse 50 mm***SG 11779***Taper 50 mm***SG 11783***Connection bridge*







## *The Architects of Silence*

***Silent Gliss is the leading global supplier of premium interior window treatments. Since 1952 we have been tirelessly committed to the development of the worlds` smoothest, quietest systems using state of the art technology.***

*Driven by customer needs, Silent Gliss offers functional and durable products. Expert technical advice coupled with installation and support services complete the offer. Silent Gliss stands for innovative, sustainable, tailor made solutions, exceptional design and first-class quality.*

### **Silent Gliss Nordic AB**

Box 9008  
213 77 Malmö  
Sweden  
**T** +46 40 55 52 50  
info@silentgliss.se

Bygdøy Allé 111A  
0273 Oslo  
Norway  
**T** +47 24 11 80 60  
info@silentgliss.no

Denmark  
**T** +45 36 77 67 00  
info@silentgliss.dk

**silentgliss.se**  
**silentgliss.no**  
**silentgliss.dk**