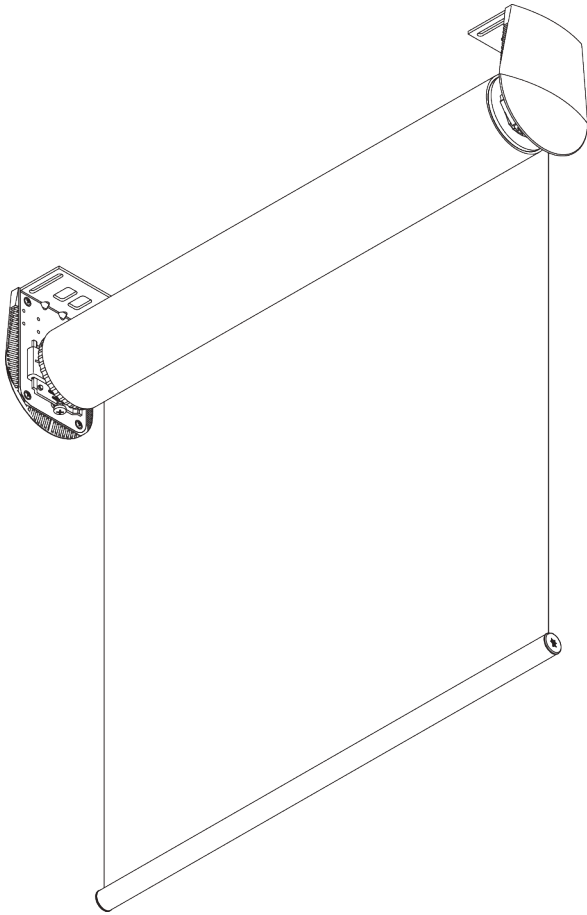


SG 4880



PRODUCT INFORMATION

- **Operation:** motorised
- **Range:** L
- **Fitting:** ceiling, wall, recess
- **Colours:** white RAL 9016 or anodised aluminum, special colours possible
- **Fabrics:** refer to Silent Gliss fabric collection

Features:

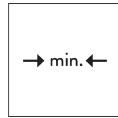
- Quiet and fast motors
- Soft stop
- Various control options
- Stainless steel brackets, adjustable for vertical alignment of fabric

SYSTEM SPECIFICATIONS

A. SYSTEM DIMENSIONS



Tube SG 4957: 5 m
Tube SG 4901: 4 m



72 cm*
*see motor specification table



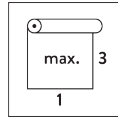
Tube SG 4957: 9 m
Tube SG 4901: 12 m



36 m²



23 kg



Recommended width /
height ratio
max. 1:3

Maximum surface area

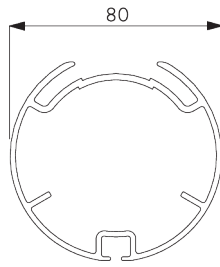
B ↓	A →							
	2 m	2.5 m	3 m	3.5 m	4 m	4.5 m	5 m	
2 m	●	●	●	●	○	○	○	
2.5 m	●	●	●	●	○	○	○	
3 m	●	●	●	●	○	○	○	
3.5 m	●	●	●	●	○	○	○	
4 m	●	●	●	●	○	○	○	
4.5 m	●	●	●	●	○	○	○	
5 m	●	●	●	●	○	○	○	
5.5 m	●	●	●	●	○	○	○	
6 m	●	●	●	●	○	○	○	
6.5 m	●	●	●	●	○	○	○	
7 m	●	●	●	●	○	○	○	
7.5 m	●	●	●	●	○	○		
8 m	●	●	●	●	○	○		
8.5 m	●	●	●	●	○			
9 m	●	●	●	●	○			
9.5 m	●	●	●	●				
10 m	●	●	●	●				
10.5 m	●	●	●					
11 m	●	●	●					
11.5 m	●	●	●	max. 36 m ²				
12 m	●	●	●					

● SG 4901 (ø 80 mm)

○ SG 4957 (ø 110 mm)

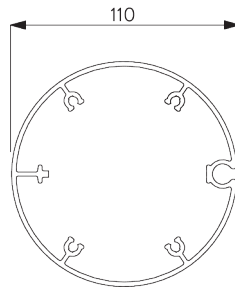
B. PROFILE

Profile information



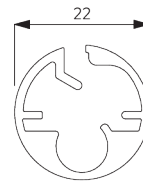
SG 4901

Tube ø 80 mm



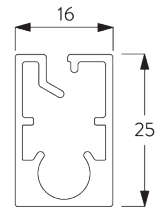
SG 4957

Tube ø 110 mm



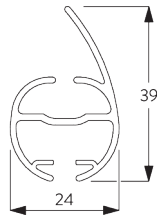
SG 10760

Bottom bar



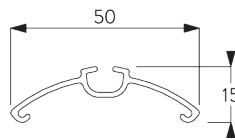
SG 10770

Bottom bar



SG 4903

Bottom bar

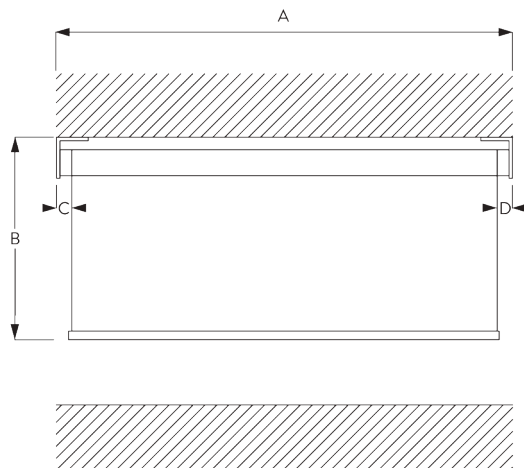


SG 4902

Profile

C. HOW TO MEASURE

incl. bracket covers
(15 mm)



A: System width

B: System height

Tube SG 4901 (ø 80 mm):

C: Light gap: 44 mm

D: Light gap operation side: 50 mm

Tube SG 4957 (ø 110 mm):

C: Light gap: 42 mm

D: Light gap operation side: 52 mm

Note:

Different light gaps see motor specifications.

All measurements include 15 mm for bracket cover per side!

D. SPECIFICATION

TEXT

EN

Silent Gliss SG 4880 Electrically Operated Roller Blind System. Roller blind system for heavy and large size blind applications up to 5m wide. Supplied made to measure and complete comprising anodised aluminium barrel SG 4901 (80mm tube) / SG 4957 (110mm tube) and stainless steel bracket combination set SG 4949. Fix to wall / ceiling / inside recess. Incorporating Silent Gliss patented Quick Twist SG 4902 for easy on-site adjustment of the fabric roll up (80mm tube only). Assembled with powder coated white finish aluminium bottom weight bar SG 4903. Integral 230v motor SG 10326 / (SG 10327 with radio receiver). Operation by mains switch (not supplied), by remote control or mains switching by third party control system. All wiring to be strictly in accordance with Silent Gliss wiring diagrams. Fabric to be chosen from the Silent Gliss fabric range, Price Group 1-4.

SV

Silent Gliss SG 4880 rullgardinsystem med motor. Rullgardinsystem för installationer upp till 5 m bredd. Levereras komplett i specificerat mått innefattande anodiserat rör SG 4901, 80 mm / SG 4957, 110 mm. Vegg/tak och nischmontering med fästen set SG 4949. Inkl. Silent Gliss patenterad funktion Quick Twist SG 4902 för enkel justering på plats av upprulling på 80 mm tub. Sidewire som tillbehör. Monterad pulverlackerad tyngdprofil i aluminium i finish vitt/alu SG 4903. Integrerad 230V motor SG 10326/ (SG 10327 radiomottagare) vänster / höger sida. Styrning via väggkontakt(ej inkluderad), via fjärrkontroll eller via externt styrsystem. All elinstallation skall följa Silent Gliss kopplingschema. Textil från Silent Gliss textilprogram i prisgrupp 1-4.

NO

Silent Gliss SG 4880 rullegardinsystem med motor. Rullegardinsystem for maks. bredde på 5 meter. Leveres komplett på spesialmål med anodisert rør integrert, SG4901, 80 mm / SG 4957, 110mm. Tak-, vegg- og nisjemontering med feste SG4902. Inkl. Silent Gliss patentert funksjon Quick Twist SG 4902 for enkel justering på stedet av opprulling på 80mm rør. Sidewire som tilbehør. Monteret pulverlakkert tyngdeprofil i aluminium i finish hvit og alu SG 4903. Integrert 230V motor SG10326 / (SG 10329 radiomottaker) venstre/høyre side. Styring via veggkontroll (ikke inkludert), fjernkontroll eller via eksternt styringssystem. Alle elektriske installasjoner skal utføres i.h.t. Silent Gliss koblingsskjema. Tekstil fra Silent Gliss kolleksjon i prisgruppe 1-4.

DA

Silent Gliss SG 4880 elektrisk rullegardinsystem. Rullegardinsystem til tunge og store installationer med op til 5 m bredde. Leveres i ønsket længde og samlet, bestående af anodiseret aluminiumrør SG 4901 (80 mm rør) / SG 4957 (110 mm rør) og beslag af rustfrit stål, kombinationssæt SG 4949. Fastgjort til væg / loft / indfældet. Bruger det Silent Gliss patenterede Quick Twist SG 4902, så stofrullen nemt kan justeres på stedet (kun for 80 mm rør). Monteret med hvid pulverlakeret tyngdeprofil af aluminium SG 4903. Integreret 230 V motor SG 10326 / (SG 10327 med radiomodtager). Styres med lysnetkontakt (medfølger ikke), med fjernbetjening eller lysnetkontakt fra tredjepart system. Al ledningsføring skal udelukkende vælges i henhold til Silent Gliss ledningsdiagrammer. Stoffet vælges fra Silent Gliss stofprogrammet, prisgruppe 1-4.

FITTING

A. FITTING INFORMATION

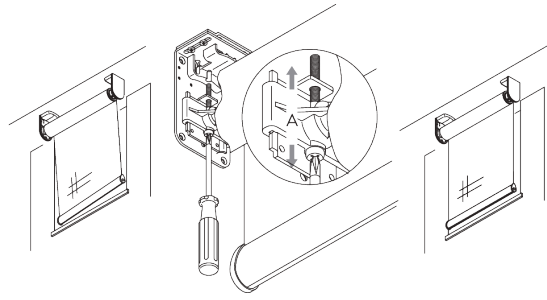
Fixing points

For detailed fitting information, visit the Silent Gliss website.



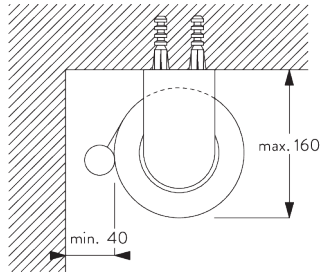
*30 mm without cover
*43 mm with cover

**Adjustable brackets
(for vertical
adjustments)**

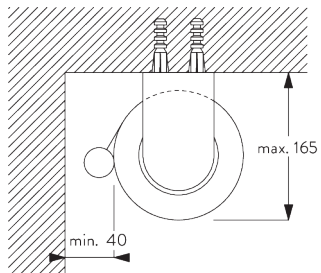


Vertical adjustment of fabric to the window frame.

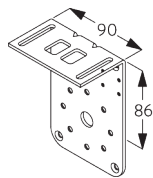
B. CEILING FITTING



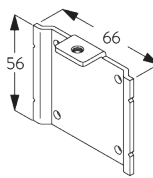
Tube SG 4901 (ø 80 mm)



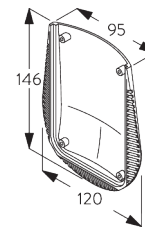
Tube SG 4957 (ø 110 mm)



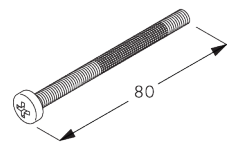
SG 4904
Bracket (set SG 4949)



SG 4906
Plate (set SG 4949)

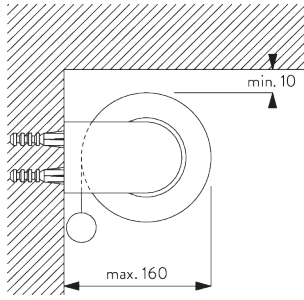


SG 4956
Bracket cover

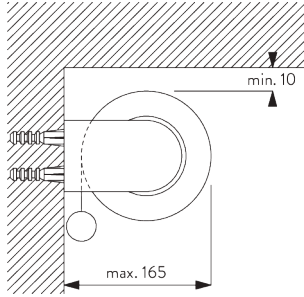


SG 4966
Special screw (set SG 4949)

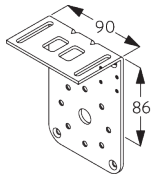
C. WALL FITTING



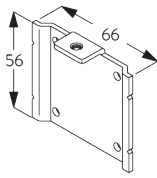
Tube SG 4901 (ø 80 mm)



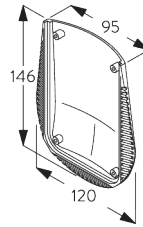
Tube SG 4957 (ø 110 mm)



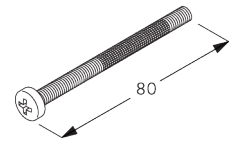
SG 4904
Bracket (set SG 4949)



SG 4906
Plate (set SG 4949)

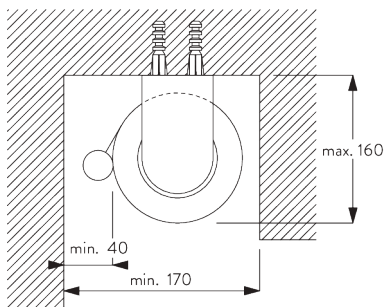


SG 4956
Bracket cover

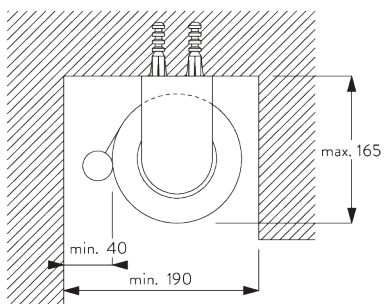


SG 4966
Special screw (set SG 4949)

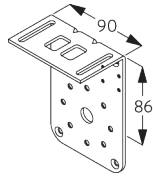
D. RECESS FITTING



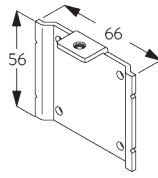
Tube SG 4901 (ø 80 mm)



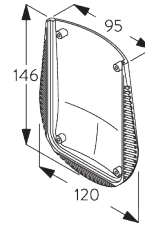
Tube SG 4957 (ø 110 mm)



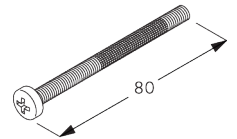
SG 4904
Bracket (set SG 4949)



SG 4906
Plate (set SG 4949)

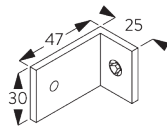
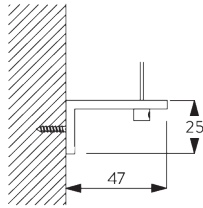


SG 4956
Bracket cover

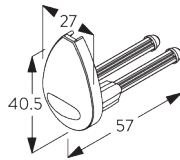


SG 4966
Special screw (set SG 4949)

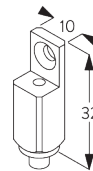
**E. FITTING WITH
SIDE GUIDE
OPTION**



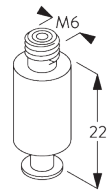
SG 3036
Bracket 47 mm



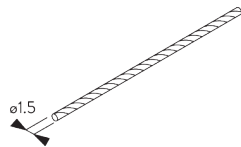
SG 4944
Side guide end cover



SG 4946
Side guide wire rope fastener



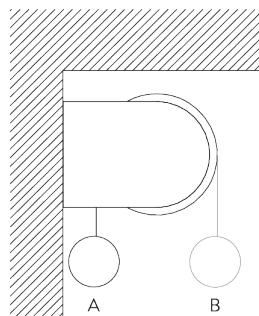
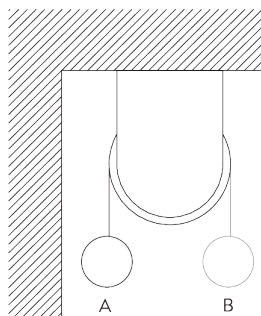
SG 4947
Side guide wire rope fastener



SG 4948
Side guide wire ø 1.5 mm

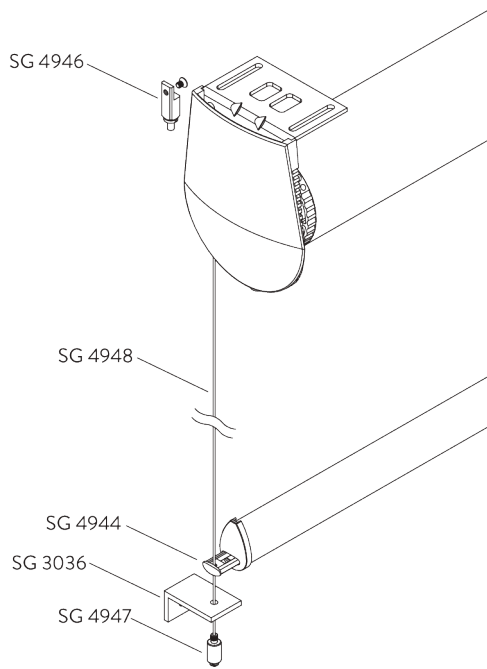
SYSTEM OPTIONS

A. FABRIC ROLL-OFF



A: Fabric roll-off window side (standard)
B: Fabric roll-off room side (option)

B. SIDE GUIDES



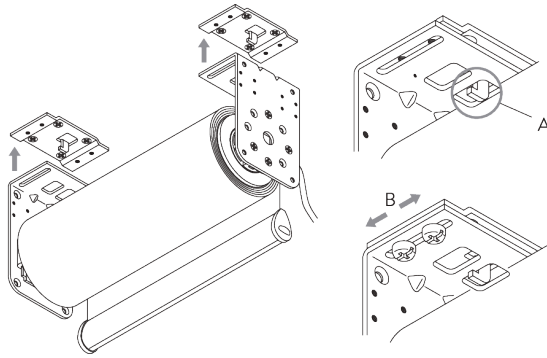
Additional parts:

- 2x SG 3036 Bracket 47 mm
- 2x SG 4944 Side guide end cover
- 2x SG 4946 Side guide wire rope fastener
- 2x SG 4947 Side guide wire rope fastener
- 2x SG 4948 Side guide wire \varnothing 1.5 mm

Note:

- Light gaps increase when side-guide option is used
- Up to 15° from vertical

C. HOOK-IN INSTALLATION PLATES



- A: Hook-in plates SG 4972 take the weight of the blind*
- B: Brackets sideways adjustable by up to 18 mm.*

MOTORS & CONTROLS

A. MOTOR FEATURES

Motors	50-Series	20-Series	20-Series
	SG 11255	SG 10327	SG 10326
Motor Features			
Soft stop	●	●	●
Electronic end-stop	●	●	●
Electronic revolution counter (unlimited revolution)	●	●	●
Two intermediate positions possible		●	
Bottom bar alignment	●		
Noiseless stop		●	●
Parallel wiring possible without additional relays		●	●
Disconnectable motor cable	●	●	●
IP class	IP 30	IP 44	IP 44
Control Features			
Mains power control			●
SG Control L (built-in receiver)		●	
Smart by Silent Gliss	●		
Suitable for most major home automation systems (with suitable interface)		●	●

B. MOTOR SPECIFICATIONS

Tube SG 4901							
Motors	Light gaps C / D = driving side	Min. system width	Voltage	Current	Frequency	Speed	Frequency receiver
50-Series (Smart by Silent Gliss)							
SG 11255	C: 44 mm / D: 51 mm	74 cm	24 V DC	2.95 A	-	20 rpm	-
20-Series							
SG 10326 (standard)	C: 44 mm / D: 50 mm	72 cm	230 V AC	0.9 A	50 Hz	23 rpm	-
SG 10327	C: 44 mm / D: 50 mm	72 cm	230 V AC	0.9 A	50 Hz	23 rpm	868/915 MHz
Tube SG 4957							
Motors	Light gaps C / D = driving side	Min. system width	Voltage	Current	Frequency	Speed	Frequency receiver
50-Series (Smart by Silent Gliss)							
SG 11255	C: 42 mm / D: 54 mm	74 cm	24 V DC	2.95 A	-	20 rpm	-
20-Series							
SG 10326 (standard)	C: 42 mm / D: 52 mm	73 cm	230 V AC	0.9 A	50 Hz	23 rpm	-
SG 10327	C: 42 mm / D: 52 mm	73 cm	230 V AC	0.9 A	50 Hz	23 rpm	868/915 MHz

C. OPERATING METHODS

See catalogue "controls" for details.

Wall Switch



System can be operated by fixed wall switch.

SG Control L



Various radio hand-held and wall transmitters available.



Silent Gliss Move App.

Smart by Silent Gliss



Open designed two-way communication system which allows to flawlessly integrate products with most major building management systems.

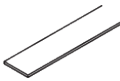
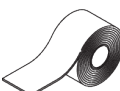


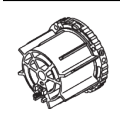
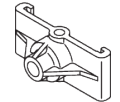

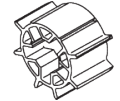
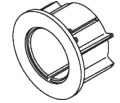
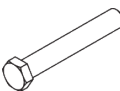
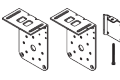

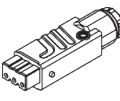
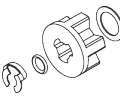
D. WIRING
DIAGRAMS


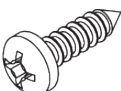
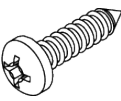
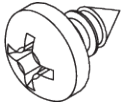
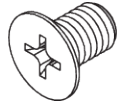




Refer to Silent Gliss website.

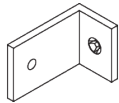

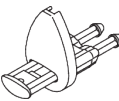
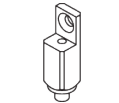


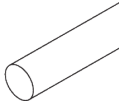

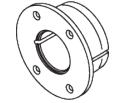
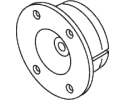

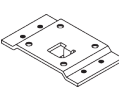
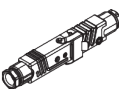
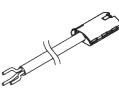
PARTS

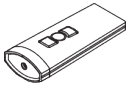
A. STANDARD PARTS

	SG 4223 PVC strip 14 mm
	SG 4226 Double tape 30 mm
	SG 4901 Tube ø 80 mm
	SG 4902 Profile
	SG 4914 Tube adapter
	SG 4915 Support
	SG 4926 Motor flange
	SG 4927 Motor drive
	SG 4928 Tube adapter
	SG 4939 Shaft
	SG 4949 Bracket set
	SG 4956 Bracket cover
	SG 9917 Hirschmann portable socket-outlet STAK 3 N
	SG 10292 Motor drive set

	SG 10326 Tubular motor 230V AC, 20 Series M 12/23
	SG 10503 Pan head screw 3.5x13
	SG 10506 Pan head screw 3.9x16
	SG 10507 Pan head screw 3.5x6.5
	SG 10509 Countersunk head screw M5x8
	SG 10760 Bottom bar
	SG 10761 End cover

B. OPTIONAL PARTS

	SG 3036 Bracket 47 mm
	SG 4903 Bottom bar
	SG 4944 Side guide end cover
	SG 4946 Side guide wire rope fastener
	SG 4947 Side guide wire rope fastener
	SG 4948 Side guide wire ø 1.5 mm
	SG 4951 Bottom weight ø 8 mm
	SG 4957 Tube ø 110 mm
	SG 4959 Tube adapter
	SG 4961 Tube adapter
	SG 4962 Motor drive
	SG 4972 Installation plate
	SG 9916 Hirschmann plug set
	SG 10293 Cable 230V AC, 2/3/5/10 m



SG 10300
Radio hand held 1 channel



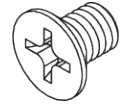
SG 10302
Radio hand held 5+1 channel



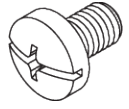
SG 10303
Radio hand held 10+2+1 channel



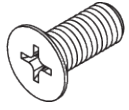
SG 10327
Tubular motor 230V AC, 20 Series M 12/23, radio receiver



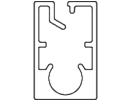
SG 10502
Countersunk head screw M4x6



SG 10504
Pan head screw Freedrive M5x8



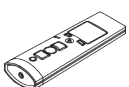
SG 10508
Countersunk head screw M5x12



SG 10770
Bottom bar



SG 10771
End cover



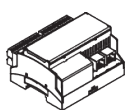
SG 10804
Radio hand held 15+5+1 channel



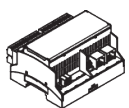
SG 11178
End cover



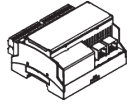
SG 11255
Tubular motor 24V DC, 50-Series M 10/20



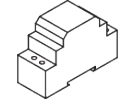
SG 11260
Gateway Cedia



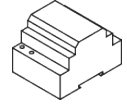
SG 11261
Gateway KNX



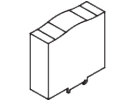
SG 11262
Expansion unit



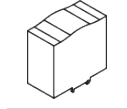
SG 11263
Power supply 24V DC, 2 Ampere DIN Rail



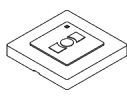
SG 11264
Power supply 24V DC, 3.8 Ampere DIN Rail



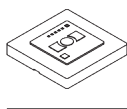
SG 11265
Power supply 24V DC, 5 Ampere DIN Rail



SG 11266
Power supply 24V DC, 10 Ampere DIN Rail



SG 11480
Radio wall transmitter 1 channel



SG 11490
Radio wall transmitter 5+1 channel