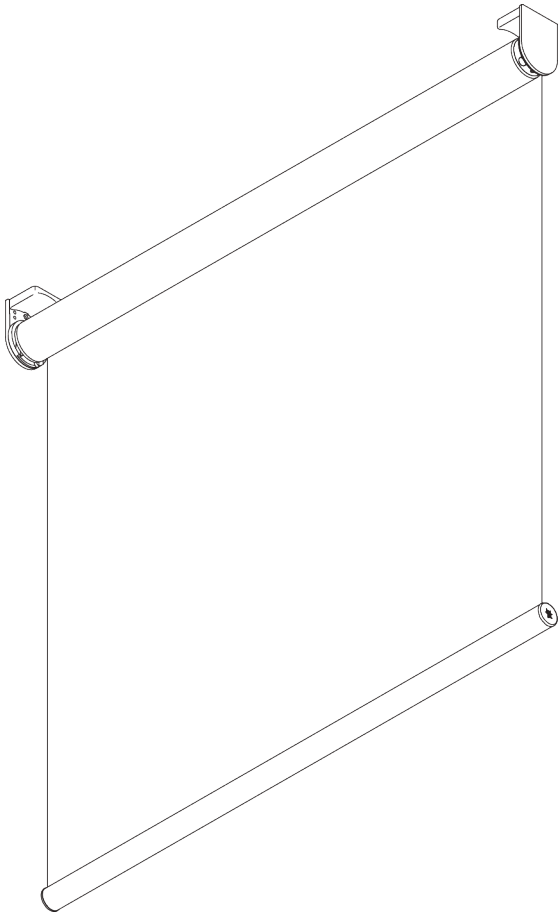
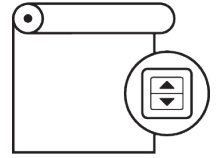


SG 4960



PRODUCT INFORMATION

- **Operation:** motorised
- **Range:** S - M
- **Fitting:** ceiling, wall, recess
- **Colours:** white RAL 9016, grey RAL 7035, black RAL 9005; special colours possible
- **Fabrics:** refer to Silent Gliss fabric collection

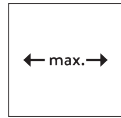
Features:

- Quiet and fast motors, soft stop
- Various control options
- Two connected systems
- Click-in brackets
- Fascia, box, installation profile

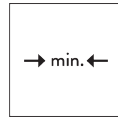
05/2026/V1

SYSTEM SPECIFICATIONS

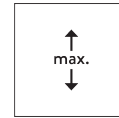
A. SYSTEM DIMENSIONS



Single system: 2.4 m
Double system: 4.8 m



61 cm*
*see motor specification table



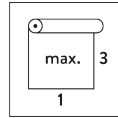
4 m



Single system: 9.6 m²
Double system: 19.2 m²



5.5 kg



Recommended width /
height ratio
max. 1:3

Maximum system drop

Wall fitting (system drop on window side)

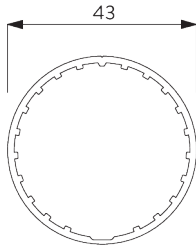
Fabric thickness	mm	0.15	0.20	0.25	0.30	0.35	0.40	0.45	0.50	0.55	0.60	0.65	0.70	0.75	0.80
Max. system drop	cm	400	400	400	400	400	400	390	350	320	290	270	250	230	220

Ceiling fitting / wall fitting (system drop on room side)

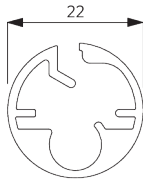
Fabric thickness	mm	0.15	0.20	0.25	0.30	0.35	0.40	0.45	0.50	0.55	0.60	0.65	0.70	0.75	0.80
Max. system drop	cm	400	400	400	400	400	400	400	400	400	380	350	330	300	280

B. PROFILE

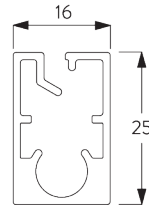
Profile information



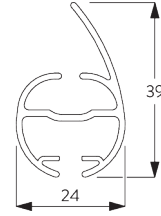
SG 10532
Tube ø 43 mm



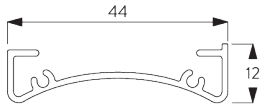
SG 10760
Bottom bar



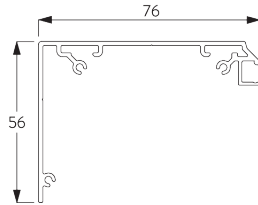
SG 10770
Bottom bar



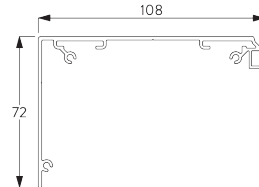
SG 4903
Bottom bar



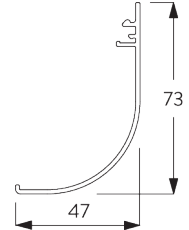
SG 10534
Installation profile



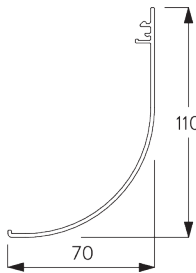
SG 11430
Installation profile fascia 73 mm



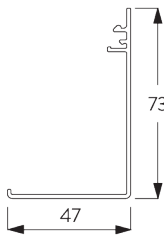
SG 11530
Installation profile fascia 110 mm



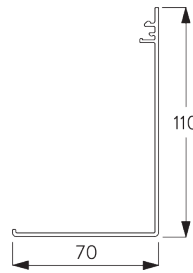
SG 11431
Fascia round 73 mm



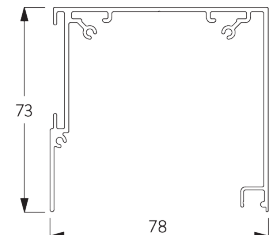
SG 11531
Fascia round 110 mm



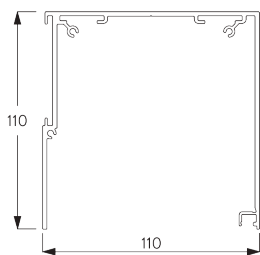
SG 11432
Fascia square 73 mm



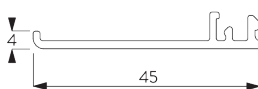
SG 11532
Fascia square 110 mm



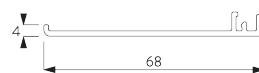
SG 11433
Box case 73 mm



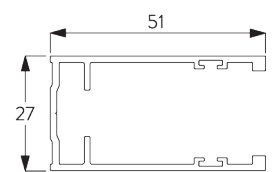
SG 11533
Box case 110 mm



SG 11434
Box cover



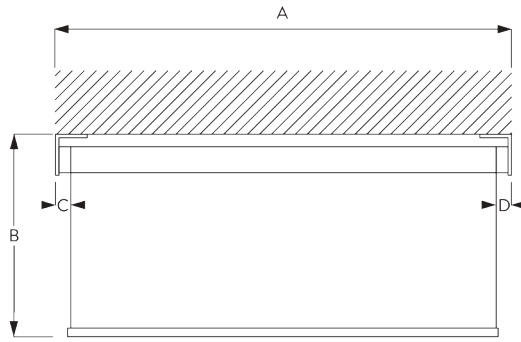
SG 11534
Box cover 110 mm



SG 11542
Side guide channel

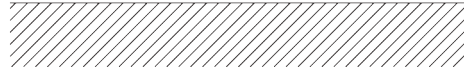
**C. HOW TO
MEASURE**

incl. bracket covers

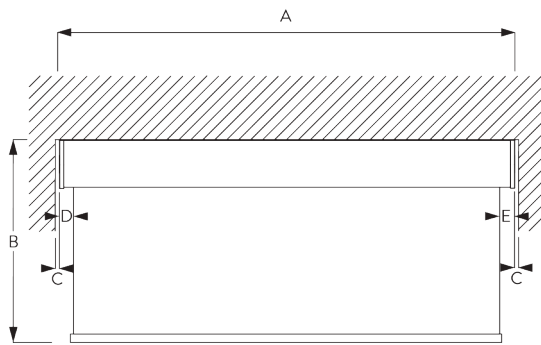


- A: System width
- B: System height
- C: Light gap: 13 mm
- D: Light gap operation side: 19 mm

Note:
Different light gaps see motor specifications.
All measurements include 2 mm for bracket cover per side!

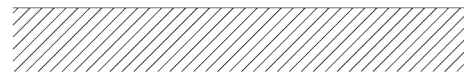


Fascia / Box

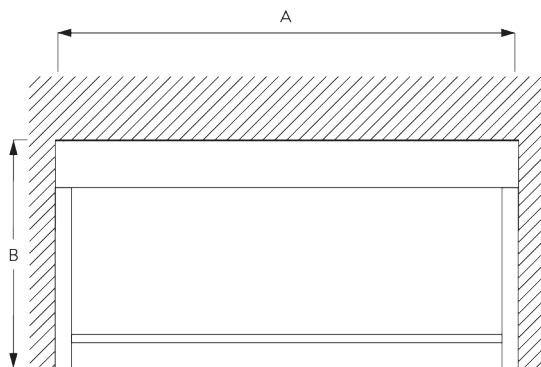


- A: System width
- B: System height
- C: Gap: min. 10 mm (when cover is used)*
- D: Light gap: 15 mm
- E: Light gap operation side: 21 mm

Note:
Different light gaps see motor specifications.
*Possible to make Fascia wider than system to reduce gap between wall and system.



Fascia / Box with Side Profiles SG 11542



- A: System width
- B: System height

D. SPECIFICATION

TEXT

EN

Silent Gliss SG 4960 Electrically Operated Roller Blind System. Roller blind system for applications up to 2.4 m wide. Supplied made to measure and complete comprising anodised aluminium barrel SG 10532, 41 mm. Fixed to wall / ceiling / inside recess with brackets SG 10542 / SG 10543 and bracket covers SG 10574 / SG 10575. Optional installation profile SG 10534 for easy installation with clamps SG 10539. Brackets and hardware in white / grey / black finish. Assembled with powder coated white, alu or black finish aluminium bottom weight bar SG 10760 / SG 10770 / SG 4903. Connected system possible. Optional side guide wires. Integral 230V motor SG 10320 left / right side. Operation by mains switch (not supplied), by remote control or mains switching by third party control system. All wiring to be strictly in accordance with Silent Gliss wiring diagrams. Fabric to be chosen from the Silent Gliss fabric range, Price Group 1-4.

SV

Silent Gliss SG 4960 rullgardinsystem med motor. Rullgardinsystem för installationer upp till 2.4 m bredd. Levereras komplett i specificerat mått innefattande anodiserat rör SG 10532, 41 mm. Vagg/tak och nischmontering med fästen SG 10542 / SG 10543 och täckplattor SG 10574 / SG 10575 i vitt / alu eller svart. Alternativt med installationsprofil SG 10534 som monteras med fästen SG 10539. Sidewire som tillbehör. Dubbelsystem möjligt. Monterad pulverlackerad tyngdprofil i aluminium i finish vitt / alu / svart med SG 10760 / SG 10770 / SG 4903. Integrerad 230V motor SG 10320 vänster / höger sida. Styrning via väggkontakt (ej inkluderad), via fjärrkontroll eller via externt styrsystem. All elinstallation skall följa Silent Gliss kopplingsschema. Textil från Silent Gliss textilprogram i prisgrupp 1-4.

NO

Silent Gliss SG 4960 Rullegardinsystem med motor. Rullegardinsystem for maks. bredde på 2,4 meter. Leveres komplett på spesialmål med anodisert rør integrert, SG 10532, 41 mm. Tak-, vegg- og nischmontering med feste SG 10542 / SG 10543 samt dekkplate SG 10574 / SG 11175 i hvit, alu eller svart. Alternativt monteringsprofil SG 10534 som monteres med feste SG 10534. Sidewire som tilbehør. Dobbelsystem mulig. Montert tyngdeprofil i pulverlakkert aluminium i hvit / alu / svart med SG 10760 / SG 10770 / SG 4903. Integrert 230V motor SG 10320 venstre eller høyre side. Styring med veggkontakt (ikke inkl.), via fjernkontroll eller eksternt styringssystem. Alle elektriske installasjoner skal gjøres i.h.t. Silent Gliss koblingsskjema. Tekstil fra Silent Gliss kolleksjon i prisgruppe 1-4.

DA

Silent Gliss SG 4960 elektrisk rullegardinsystem. Rullegardinsystemer til installationer med op til 2,4 m bredde. Leveres i ønsket længde og samlet. Består af anodiseret aluminiumrør SG 10532, 41 mm. Fastgøres i væggen / loftet / indfældes med beslagene SG 10542 / SG 10543 og beslagafdækningerne SG 10574 / SG 10575. Alternativt med installationsprofil SG 10534 for nem installation med klemmerne SG 10539. Beslag og armaturer i hvid / alu / sort finish. Samlet med pulverlakeret hvid, alu eller sort finish tyngdeprofil af aluminium SG 10760 / SG 10770 / SG 4903. Mulighed for tilsluttet system. Sidewirer som tilbehør. Integreret 230 V motor SG 10320 venstre / højre side. Styres med lysnetkontakt (medfølger ikke), med fjernbetjening eller lysnetkontakt fra tredjepart system. Al ledningsføring skal udelukkende vælges i henhold til Silent Gliss ledningsdiagrammer. Stoffet vælges fra Silent Gliss stofprogrammet, prisgruppe 1-4.

FITTING

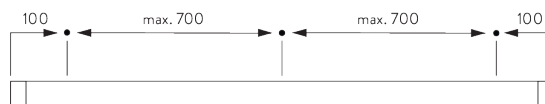
A. FITTING INFORMATION

Fixing points

For detailed fitting information, visit the Silent Gliss website.

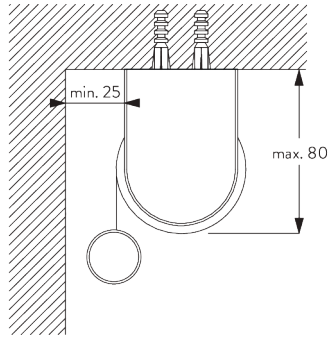


Brackets (wall / ceiling)

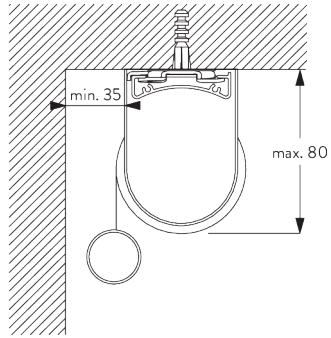


Fascia / box & installation profile SG 10534 (wall / ceiling)

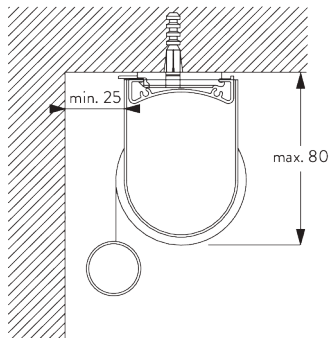
B. CEILING FITTING



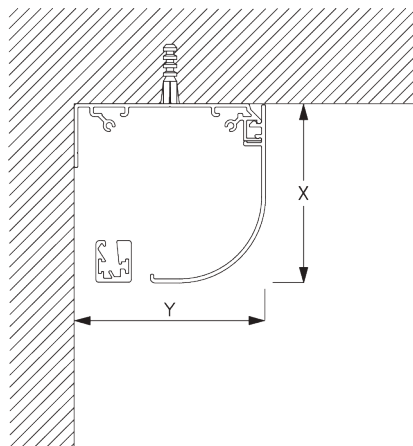
Brackets



Installation profile SG 10534 and clamps SG 3033 or SG 3044



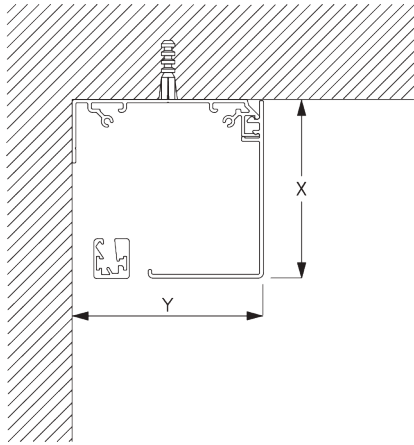
Installation profile SG 10534 and click bracket SG 10539
Not possible with two connected systems!



Fascia round

X = Fascia S 73 mm / Fascia L 110 mm

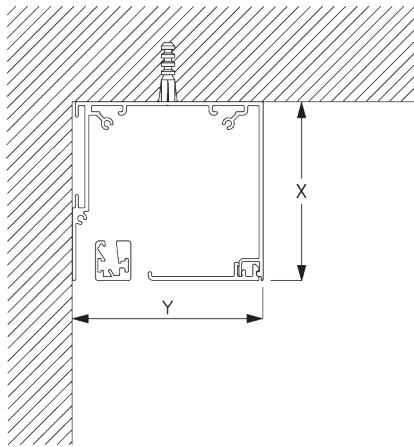
Y = Fascia S 78 mm / Fascia L 110 mm



Fascia square

X = Fascia S 73 mm / Fascia L 110 mm

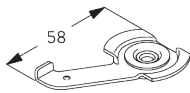
Y = Fascia S 78 mm / Fascia L 110 mm



Box

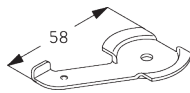
X = Box S 73 mm / Box L 110 mm

Y = Box S 78 mm / Box L 110 mm



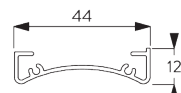
SG 3033

Clamp



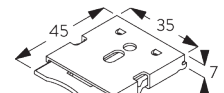
SG 3044

Clamp



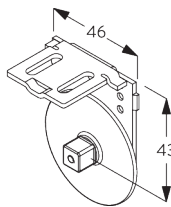
SG 10534

Installation profile



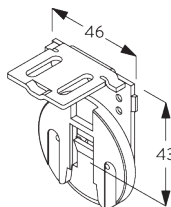
SG 10539

Bracket



SG 10542

Bracket



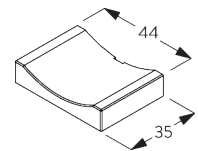
SG 10543

Bracket



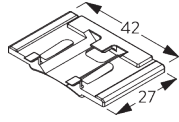
SG 10574

Bracket cover



SG 10575

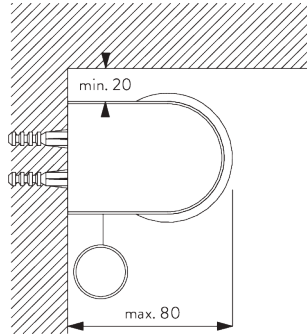
Bracket cover



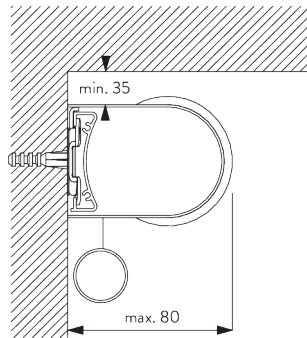
SG 10690

Spacer

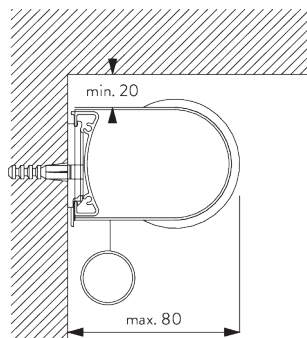
C. WALL FITTING



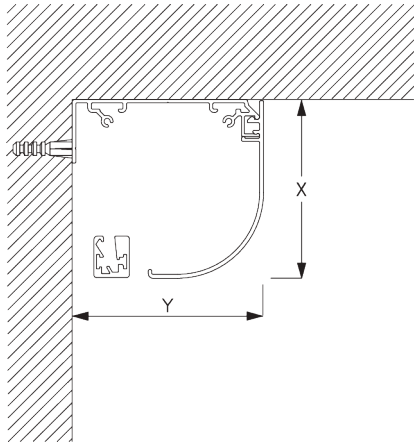
Brackets



Installation profile SG 10534 and clamps SG 3033 or SG 3044



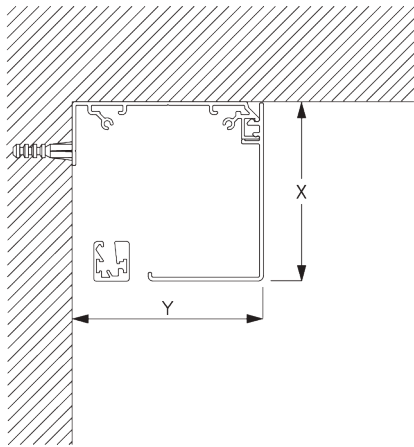
Installation profile SG 10534 and click bracket SG 10539
Not possible with two connected systems!



Fascia round

X = Fascia S 73 mm / Fascia L 110 mm

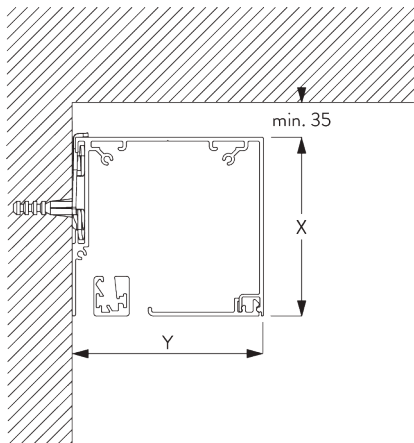
Y = Fascia S 78 mm / Fascia L 110 mm



Fascia square

X = Fascia S 73 mm / Fascia L 110 mm

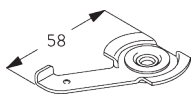
Y = Fascia S 78 mm / Fascia L 110 mm



Box S and clamp SG 3044 / Box L and clamp SG 11180

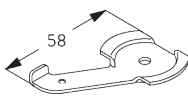
X = Box S 73 mm / Box L 110 mm

Y = Box S 78 mm / Box L 110 mm



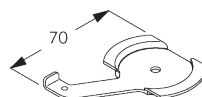
SG 3033

Clamp



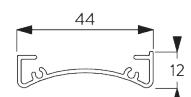
SG 3044

Clamp



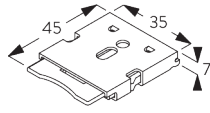
SG 11180

Clamp

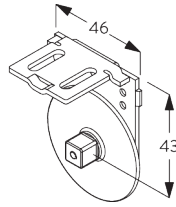


SG 10534

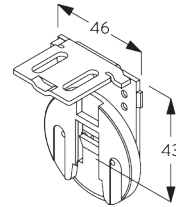
Installation profile



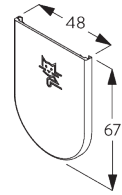
SG 10539
Bracket



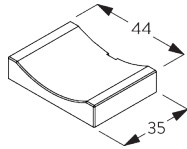
SG 10542
Bracket



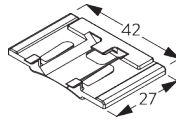
SG 10543
Bracket



SG 10574
Bracket cover

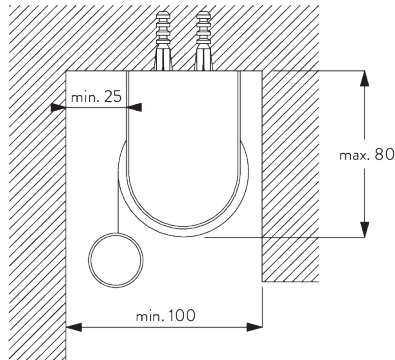


SG 10575
Bracket cover

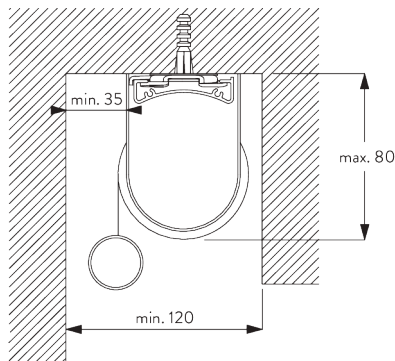


SG 10690
Spacer

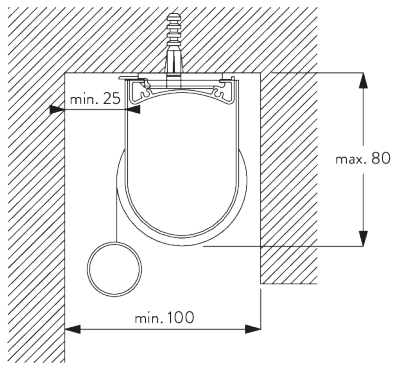
D. RECESS FITTING



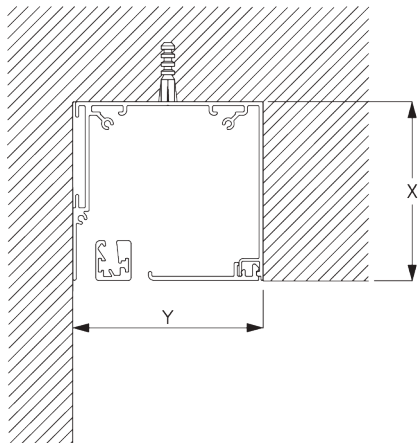
Brackets



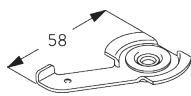
Installation profile SG 10534 and clamps SG 3033 or SG 3044



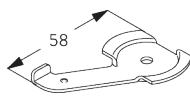
Installation profile SG 10534 and click bracket SG 10539
 Not possible with two connected systems!



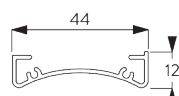
Box
 X = Box S 73 mm / Box L 110 mm
 Y = Box S min. 79 mm / Box L min. 111 mm



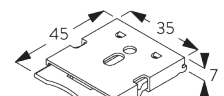
SG 3033
 Clamp



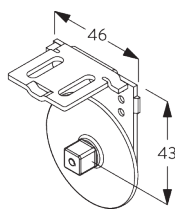
SG 3044
 Clamp



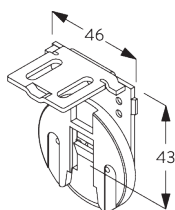
SG 10534
 Installation profile



SG 10539
 Bracket



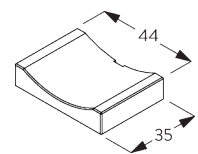
SG 10542
 Bracket



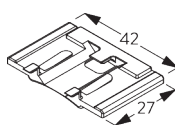
SG 10543
 Bracket



SG 10574
 Bracket cover

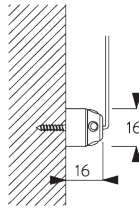
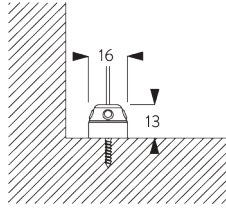


SG 10575
 Bracket cover

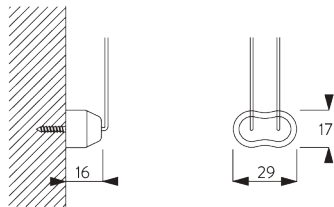
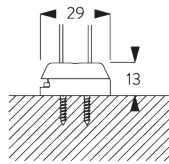


SG 10690
 Spacer

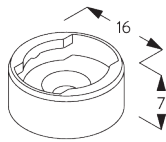
**E. FITTING WITH
SIDE GUIDE
OPTION**



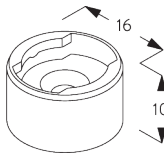
Single system



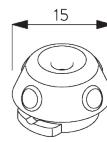
Double system (side-by-side installation)



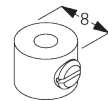
SG 8235
Side guide wire base short



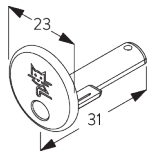
SG 8236
Side guide wire base long



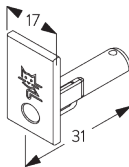
SG 8237
Side guide wire holder



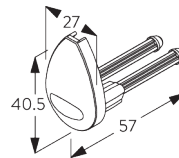
SG 8249
Side guide device



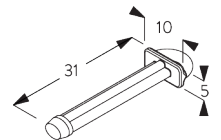
SG 10762
Side guide end cover



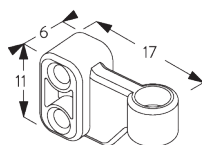
SG 10772
Side guide end cover



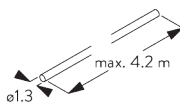
SG 4944
Side guide end cover



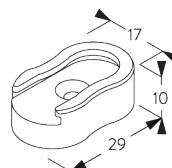
SG 10641
Side guide eyelet



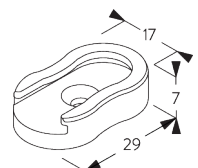
SG 10642
Side guide wire holder



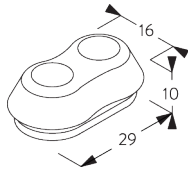
SG 10643
Side guide wire \varnothing 1.3 mm x 4.2 m



SG 10669
Side guide double base long

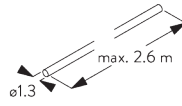


SG 10673
Side guide double base short



SG 10701

Side guide double wire holder

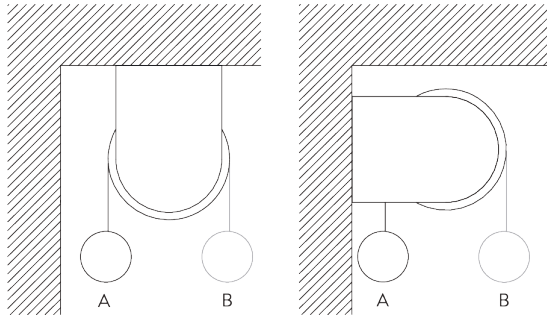


SG 10706

Side guide wire \varnothing 1.3 mm x 2.6 m

SYSTEM OPTIONS

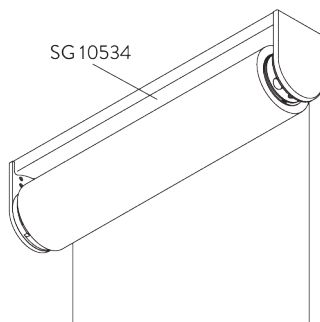
A. FABRIC ROLL-OFF



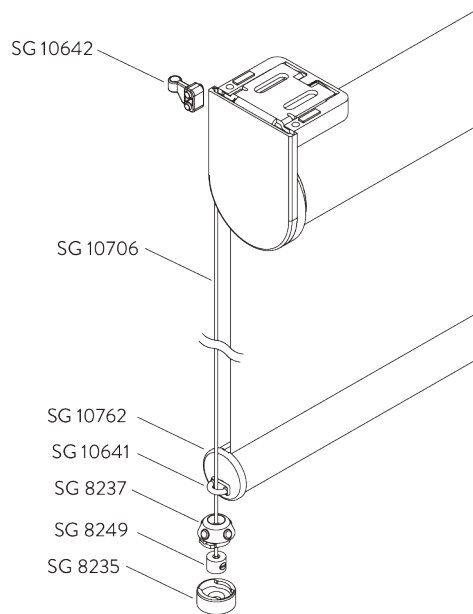
A: Fabric roll-off window side (standard)

B: Fabric roll-off room side (option)

B. INSTALLATION PROFILE



C. SIDE GUIDES



Additional parts:

- 2x SG 8235 Side guide wire base short
- 2x SG 8237 Side guide wire holder
- 2x SG 8249 Side guide device
- 2x SG 10762 Side guide end cover round
- 2x SG 10641 Side guide eyelet
- 2x SG 10642 Side guide wire holder
- 2x SG 10706 Side guide wire \varnothing 1.3 mm x 2.6 m

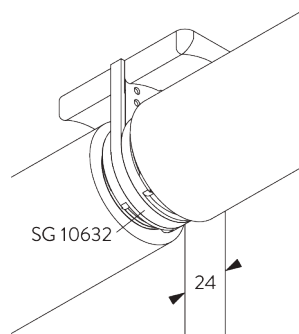
Optional parts:

- 2x SG 8236 Side guide wire base long
- 2x SG 10772 Side guide end cover square
- 2x SG 10643 Side guide wire \varnothing 1.3 mm x 4.2 m
- 1x SG 10669 Side guide double base long
- 1x SG 10673 Side guide double base short
- 1x SG 10701 Side guide double wire holder

Note:

- Light gaps increase when side-guide option is used
- Up to 15° from vertical

D. TWO CONNECTED SYSTEMS



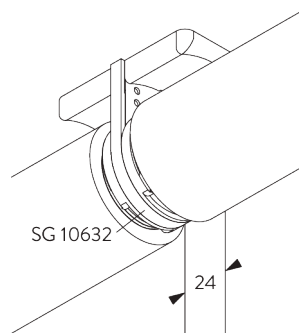
Additional parts:

- 1x SG 10558 Connection tube adapter
- 2x SG 10626 Connection bracket
- 2x SG 10627 Connection flange
- 1x SG 10628 Connection tube adapter
- 1x SG 10632 Connection bracket cover

Note:

- Not possible with 24 V motor SG 10692!

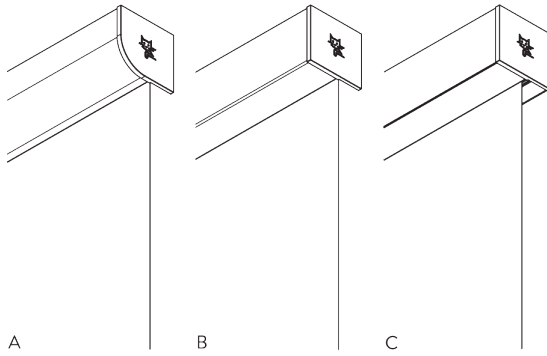
E. TWO SINGLE SYSTEMS SIDE-BY-SIDE



Additional parts:

- 1x SG 10632 Connection bracket cover

F. FASCIA / BOX



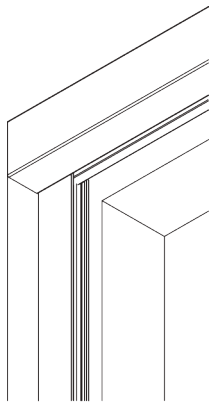
- A: Fascia round
- B: Fascia square
- C: Box

Size

- S: 78 x 73 mm
- L: 110 x 110 mm

Note:

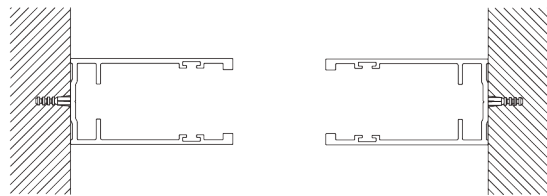
- Only applicable with bottom bar SG 11442
- Not possible with connected systems
- Two systems with one Fascia possible upon request



Optional side guide channels SG 11542 to be used with Fascia or Box.

Note:

- Only applicable with inside fitting
- Box: only recess fitting



MOTORS & CONTROLS

A. MOTOR FEATURES

Motors	50-Series	40-Series	25-Series	20-Series	5-Series
	SG 11250	SG 11941 SG 11942	SG 11625	SG 10320	SG 10715

Motor Features

Soft stop	●	●	●	●	
Electronic end-stop	●	●	●	●	
Electronic revolution counter (unlimited revolution)	●	●	●	●	
Mechanical end-stop					●
Mechanical revolution counter (limited revolution)					●
One intermediate position possible		●			
Bottom bar alignment	●	●	●*		
Noiseless stop				●	
Parallel wiring possible without additional relays		●	●	●	
Disconnectable motor cable	●	●	●	●	
Motor head white / black / grey	● / - / -	● / ● / -	● / - / -	● / ● / -	● / - / -
IP class	IP 30	IP 30	IP 30	IP 44	IP 44

Control Features

Mains power control			●	●	●
Dry contact control		●			
Dry contact and / or SG Control N control		●			
SG Control N (built-in receiver)		●			
Smart by Silent Gliss	●				
Suitable for most major home automation systems (with suitable interface)		●	●	●	●

*Based on blinds the same size and fabric

B. MOTOR SPECIFICATIONS

Motors	Light gaps* C / D = driving side	Min. system width	Voltage	Current	Frequency	Speed	Frequency receiver
50-Series (Smart by Silent Gliss)							
SG 11250	C: 10 mm / D: 26 mm	56 cm	24 V DC	1.8 A	n/a	55 rpm	n/a
40-Series							
SG 11941	C: 10 mm / D: 26 mm	83 cm	100-240 V AC	0.3 A	50-60 Hz	55 rpm	433 MHz
SG 11942	C: 10 mm / D: 26 mm	56 cm	24 V DC	1.8 A	n/a	55 rpm	433 MHz
25-Series							
SG 11625	C: 10 mm / D: 26 mm	83 cm	100-240 V AC	0.8 A	50-60 Hz	32 rpm	n/a
20-Series							
SG 10320 (standard)	C: 13 mm / D: 19 mm	61 cm	230 V AC	0.55 A	50 Hz	70 rpm	n/a
5-Series							
SG 10715	C: 10 mm / D: 25 mm	61 cm	230 V AC	0.485 A	50-60 Hz	28 rpm	n/a

*Light gaps Fascia or Box: C +2 mm / D +2 mm (40-/50-Series: C +3 mm / D +2 mm)

C. OPERATING METHODS

See catalogue "controls" for details.

Wall Switch



System can be operated by fixed wall switch.

SG Control N



Various radio hand-held and wall transmitters available.



Silent Gliss Move App.

Smart by Silent Gliss



Open designed two-way communication system which allows to flawlessly integrate products with most major building management systems.

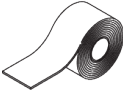
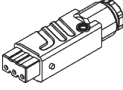



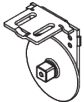
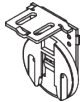


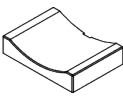
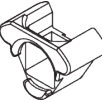

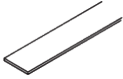

D. WIRING
DIAGRAMS


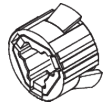


Refer to Silent Gliss website.



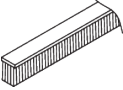

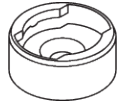

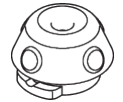
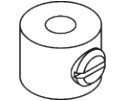
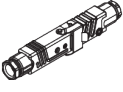
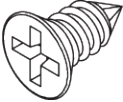
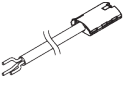
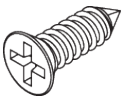

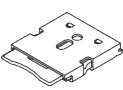
PARTS

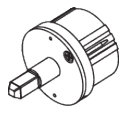
A. STANDARD PARTS

	SG 4226 Double tape 30 mm
	SG 9917 Hirschmann portable socket-outlet STAK 3 N
	SG 10284 O-Ring
	SG 10320 Tubular motor 230V AC, 20 Series S 1.5/70
	SG 10532 Tube ø 43 mm
	SG 10542 Bracket
	SG 10543 Bracket
	SG 10557 Tube adapter
	SG 10574 Bracket cover
	SG 10575 Bracket cover
	SG 10620 Motor flange 10/20-Series
	SG 10621 Tube adapter
	SG 10668 PVC strip 10 mm
	SG 10760 Bottom bar

	SG 10761 End cover
	SG 11354 Motor drive 10/20-Series

B. OPTIONAL PARTS

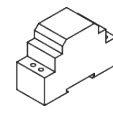
	SG 3033 Clamp
	SG 3044 Clamp
	SG 4508 Brush 5x7 mm
	SG 4903 Bottom bar
	SG 8235 Side guide wire base short
	SG 8236 Side guide wire base long
	SG 8237 Side guide wire holder
	SG 8249 Side guide device
	SG 9916 Hirschmann plug set
	SG 10139 Countersunk screw 2.9x6.5
	SG 10293 Cable 230V AC, 2/3/5/10 m
	SG 10498 Countersunk screw 2.9x9.5
	SG 10534 Installation profile
	SG 10539 Bracket



SG 10558
Connection tube adapter



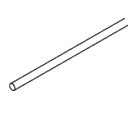
SG 10701
Side guide double wire holder



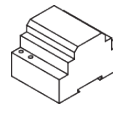
SG 11263
Power supply 24V DC, 2 Ampere
DIN Rail



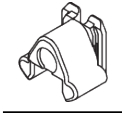
SG 10622
Tube adapter, 24V DC motor



SG 10706
Side guide wire ø 1.3 mm x 2.6 m



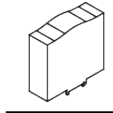
SG 11264
Power supply 24V DC, 3.8 Ampere
DIN Rail



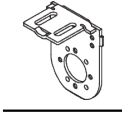
SG 10625
Motor flange, 10/20-Series



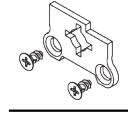
SG 10715
Tubular motor 230V AC, 5 Series S
6/28



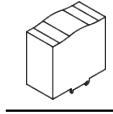
SG 11265
Power supply 24V DC, 5 Ampere
DIN Rail



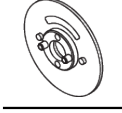
SG 10626
Connection bracket



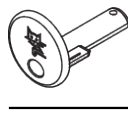
SG 10753
Motor plate



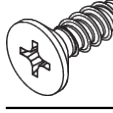
SG 11266
Power supply 24V DC, 10 Ampere
DIN Rail



SG 10627
Connection flange



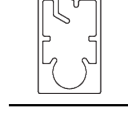
SG 10762
Side guide end cover



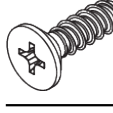
SG 11322
PT Screw Countersunk KA35x10
WN 1413



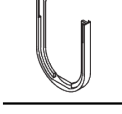
SG 10628
Connection tube adapter



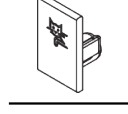
SG 10770
Bottom bar



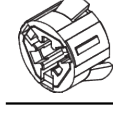
SG 11323
PT Screw Countersunk KA35x12



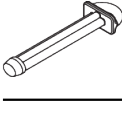
SG 10632
Connection bracket cover



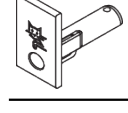
SG 10771
End cover



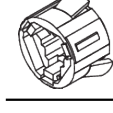
SG 11355
Motor drive 5-Series



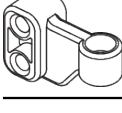
SG 10641
Side guide eyelet



SG 10772
Side guide end cover



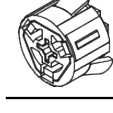
SG 11356
Motor drive 40/50-Series



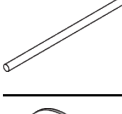
SG 10642
Side guide wire holder



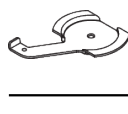
SG 11178
End cover



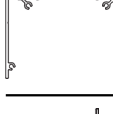
SG 11357
Motor drive 24 V DC



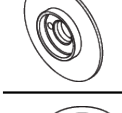
SG 10643
Side guide wire ø 1.3 mm x 4.2 m



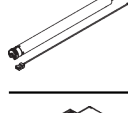
SG 11180
Clamp



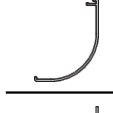
SG 11430
Installation profile fascia 73 mm



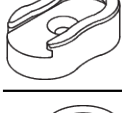
SG 10651
Connection flange



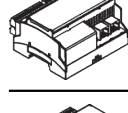
SG 11250
Smart motor 24V DC, 50-Series S
1.5/55



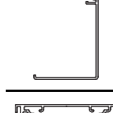
SG 11431
Fascia round 73 mm



SG 10669
Side guide double base long



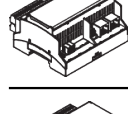
SG 11260
Gateway Cedia



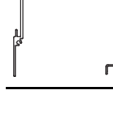
SG 11432
Fascia square 73 mm



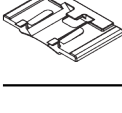
SG 10673
Side guide double base short



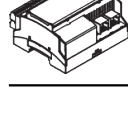
SG 11261
Gateway KNX



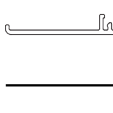
SG 11433
Box case 73 mm




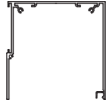
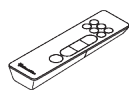














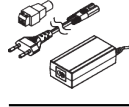

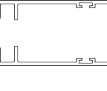






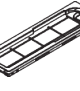

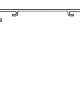


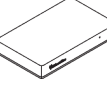

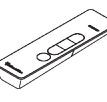
SG 10690
Spacer



SG 11262
Expansion unit



SG 11434
Box cover

	SG 11437 Bracket cover round left 73 mm		SG 11533 Box case 110 mm		SG 11932 Radio hand held 6 channel
	SG 11438 Bracket cover round right 73 mm		SG 11534 Box cover 110 mm		SG 11936 Radio wall transmitter 1 channel
	SG 11439 Bracket cover square left 73 mm		SG 11537 Bracket cover round left 110 mm		SG 11937 Radio wall transmitter 6 channel
	SG 11440 Bracket cover square right 73 mm		SG 11538 Bracket cover round right 110 mm		SG 11941 Motor 100-240V AC, 40-Series S 1.5/55, radio receiver
	SG 11442 Bottom bar		SG 11539 Bracket cover square left 110 mm		SG 11942 Motor 24V DC, 40-Series S 1.5/55, radio receiver
	SG 11443 End cover		SG 11540 Bracket cover square right 110 mm		SG 11965 Power supply set 24V/2A with EU/CH plug
	SG 11446 Bracket left 73 mm		SG 11542 Side guide channel		
	SG 11447 Bracket right 73 mm		SG 11546 Bracket left 110 mm		
	SG 11448 Bracket left 73 mm		SG 11547 Bracket right 110 mm		
	SG 11449 Bracket right 73 mm		SG 11548 Bracket left 110 mm		
	SG 11460 Cover for Hirschmann plug		SG 11549 Bracket right 110 mm		
	SG 11530 Installation profile fascia 110 mm		SG 11625 Motor 100-240V AC, 25-Series S 3/32		
	SG 11531 Fascia round 110 mm		SG 11900 Move Server		
	SG 11532 Fascia square 110 mm		SG 11931 Radio hand held 1 channel		