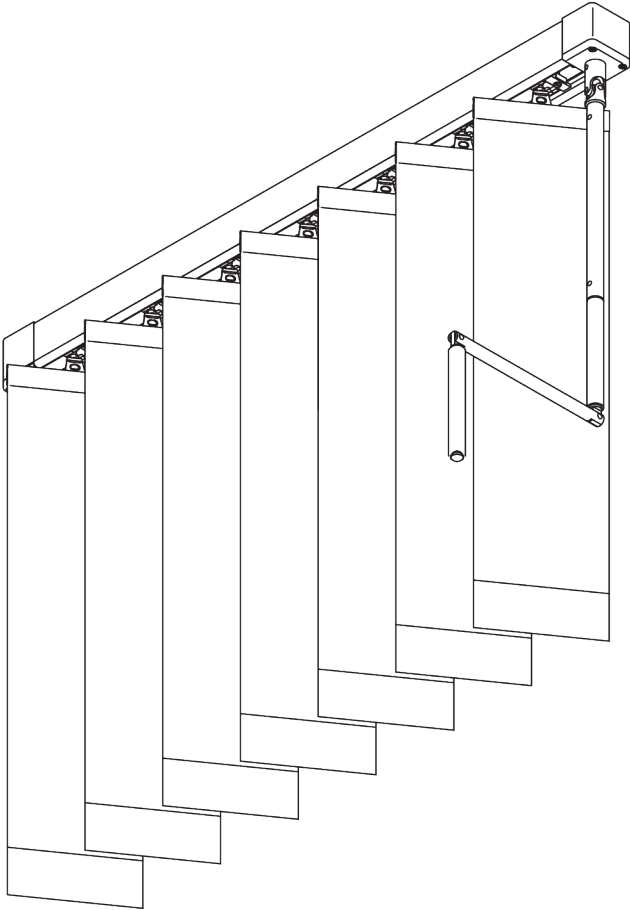


SG 2900



PRODUCT INFORMATION

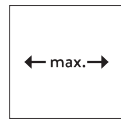
- **Operation:** Crank
- **Range:** S - L
- **Fitting:** ceiling, wall, recess
- **Colours:** white RAL 9016 or anodised aluminum, special colours possible
- **Fabrics:** refer to Silent Gliss fabric collection

Features:

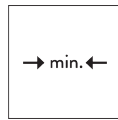
- Optimised light control
 - Mono controlled
 - Sloping applications
 - Louvre width: 127 mm (standard), 89 mm
 - Vertical Waves
 - Bendable
- 08/2024/V1

SYSTEM SPECIFICATIONS

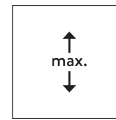
A. SYSTEM DIMENSIONS



6 m



Single Stack: 50 cm
Pair stack: 1.1 m



4 m



600 g per louvre

Max. system widths

	127 mm 89 mm	6 m 6 m
	127 mm 89 mm	6 m 6 m
	127 mm 89 mm	6 m 5 m
	127 mm 89 mm	5 m 5 m
	127 mm 89 mm	6 m 5 m

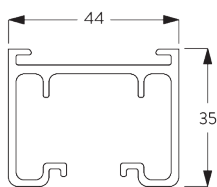
Stack sizes

		100	150	200	250	300	350	400	450	500	550	600	
127 mm		27	35	42	50	57	65	72	80	87	95	101	
		21	25	28	32	36	39	43	47	50	54	58	
89 mm		29	40	50	60	69	80	89	100	110	120	129	
		20	25	30	35	39	45	50	56	60	65	69	

(cm)

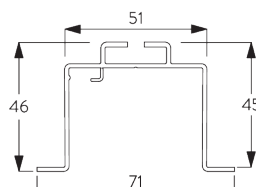
B. PROFILE

Profile and bending information



SG 2901

Profile

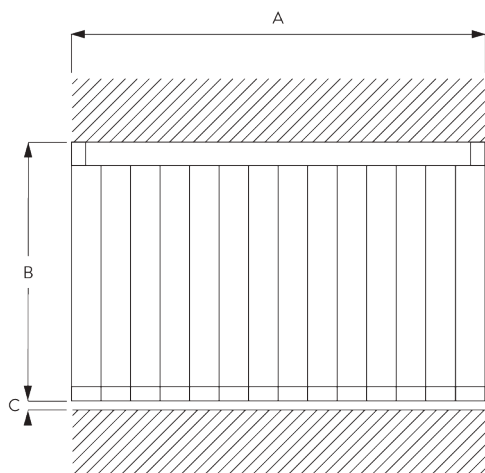


SG 2948

Recess profile



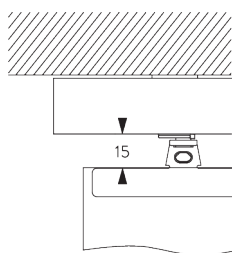
C. HOW TO MEASURE



A: System width
B: System height
C: Distance between floor and fabric

Crank height approx. 110 cm from the floor (crank extended)!

Light gap



D. SPECIFICATION TEXT

EN

Silent Gliss SG 2900 Crank Operated Vertical Blind System. Comprises aluminium profile SG 2901 supplied made to measure powder coated white or silver anodised. Assembled complete with detachable crank handle SG 2746 and rotation elements to suit louvre width 127 mm SG 2916 / 89 mm SG 2918. Top fixed with clamp SG 3033 at max 300 mm centres + 1. Wall fixed with clamp SG 3033 in conjunction with SG Universal Smart Fix brackets at 300 mm centres + 1. Recess fixed option with recess profile SG 2932 and wedges SG 2941. Fabric supplied from Silent Gliss fabric range.

SV

Silent Gliss SG 2900 vevmanövrerat lamellsystem. Innefattar aluminium profil SG 2901 i kundmått, pulverlackerad i vitt eller i alu finish. Monterad komplett med avtagbart vevfäste SG 2746 och pivåer för bredd 127mm SG 2916 / 89mm SG 2918. Takmontering med fäste SG 3033 c/c 300mm + 1. Vägghmontering med SG 3033 i kombination med SG Universal Smart Fix vinklar c/c 300mm centres + 1. Infällning med profil SG 2932 och kilar SG 2941. Textil från Silent Gliss textilprogram prisgrupp 1-4.

NO

Silent Gliss SG 2900 Lamellsystem med sveiv. Leveres på ønsket mål. Består av aluminiumprofil SG 2901, pulverlakkert i hvit eller i alu finish. Montert komplett med avtagbar sveiv SG 2746 og dreielement for bredde 127 mm SG 2916 / 89 mm SG 2918. Takmontering med feste SG 3033 c/c 300 mm + 1. Veggmontert med SG 3033 i kombinasjon med SG univarsal Smart Fix vinkler c/c 300 mm centres +1. Innfelling med profil SG 2932 og kiler SG 2940. Tekstil fra Silent Gliss tekstilkolleksjon prisgruppe 1-4.

DA

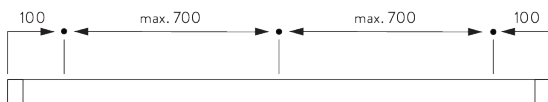
Silent Gliss SG 2900 lodret rullegardinsystem med håndsving. Består af aluminiumprofil SG 2901 i ønsket længde, i hvid pulverlakering eller sølv-anodiseret. Samlet komplet med aftageligt håndtag til håndsving SG 2746 og rotationselementer passende til lamelbredde 127 mm SG 2916 / 89 mm SG 2918. Fastgøres i loftet med klemme SG 3033 med afstand på højst 300 mm + 1. Vægmonteres med klemme SG 3033 i forbindelse med SG Universal Smart Fix beslag i afstande på 300 mm + 1. Indfældning fast tilbehør med indfældningsprofil SG 2932 og kiler SG 2941. Stoffet leveres fra Silent Gliss stofprogrammet.

FITTING

A. FITTING INFORMATION

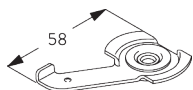
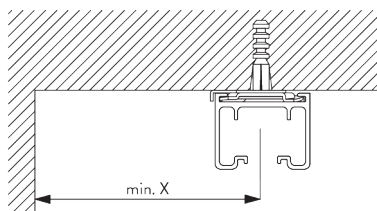
For detailed fitting information, visit the Silent Gliss website.

Fixing points

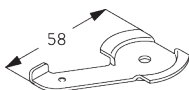


B. CEILING FITTING

Clamp SG 3033 / SG 3044



SG 3033
Clamp

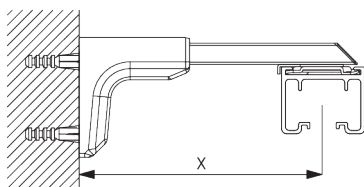


SG 3044
Clamp

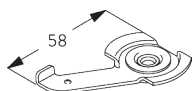
Min. wall distance louveres	X mm
89 mm	65
127 mm	85
Vertical Waves 89 mm	115
Vertical Waves 125 mm	140

C. WALL FITTING

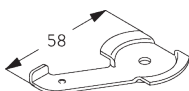
Smart Fix



Universal Smart Fix SG 11154 - SG 11156 and clamp SG 3033 / SG 3044
Screw SG 11158 (M4x12) needed.



SG 3033
Clamp



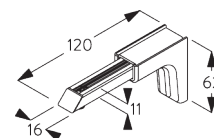
SG 3044
Clamp

Smart Fix	X mm
SG 11154	102-130
SG 11155	132-160
SG 11156	182-210

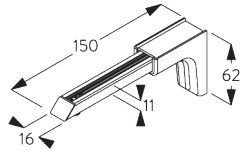
Min. wall distance louveres	X mm
Vertical Waves 89 mm	115
Vertical Waves 125 mm	140



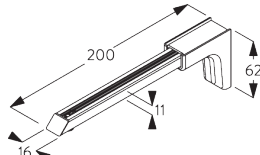
SG 11158
Countersunk head screw
M4x12



SG 11154
Universal Smart Fix 120 mm



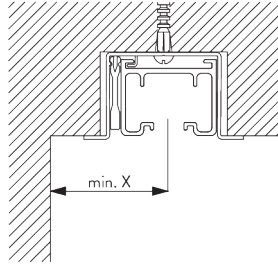
SG 11155
Universal Smart Fix 150 mm



SG 11156
Universal Smart Fix 200 mm

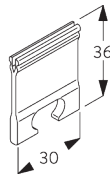
D. RECESS FITTING

Recess profile SG 2932

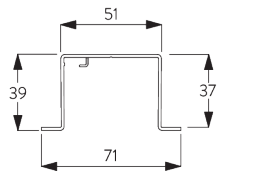


Recess profile SG 2932 can not be bent!
One wedge SG 2941 per fixing point.
For detailed recess fitting, visit the Silent Gliss website.

Min. wall distance louvres	X mm
89 mm	65
127 mm	85
Vertical Waves 89 mm	115
Vertical Waves 125 mm	140



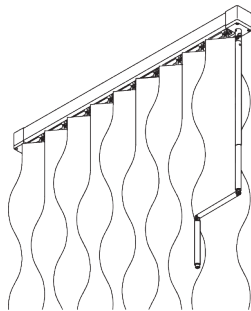
SG 2941
Wedge

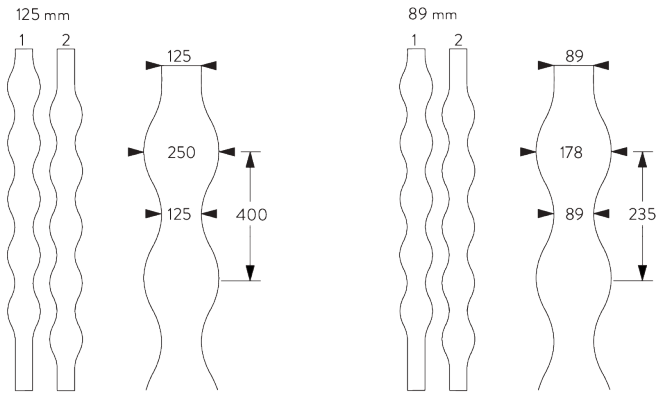


SG 2932
Recess profile

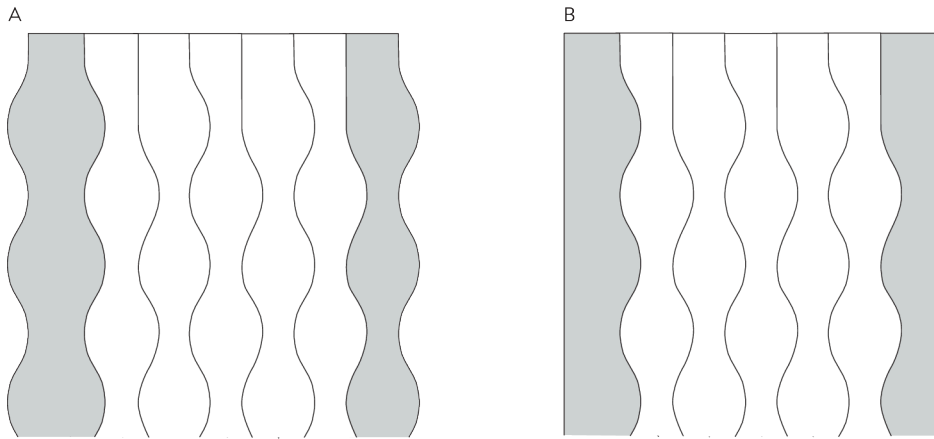
SYSTEM OPTIONS

A. VERTICAL WAVES



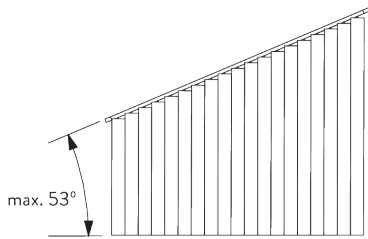


3D Vertical Waves only applicable with 125 mm louvres.



Wall ending
 A: Wavy edge
 B: Straight edge

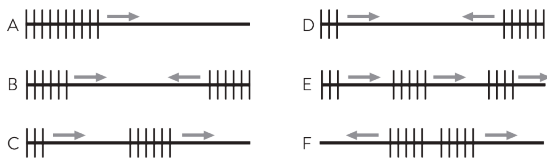
**B. SLOPING
 WINDOWS**



Maximum slope depends on louvre widths:
 - 45° with 127 mm louvres
 - 53° with 89 mm louvres

Not suitable with system option Vertical Waves.

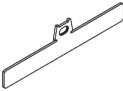

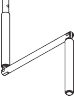
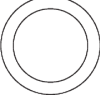

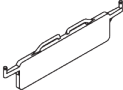
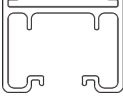
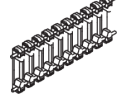



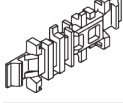
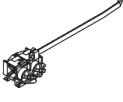
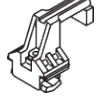
**C. STACKING
 VARIATIONS**





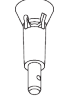
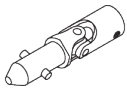
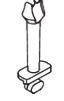


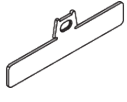
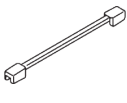
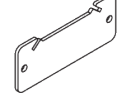

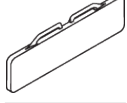


A: Single stack in one direction
 B: Pair stack in two directions symmetrical
 C: Pair stack in one direction asymmetrical
 D: Pair stack in two directions asymmetrical
 E: Multiple stacking in one direction symmetrical or asymmetrical
 F: Centre stack

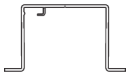
PARTS

A. STANDARD PARTS

	SG 2605 Top clip 127 mm
	SG 2742 Crank joint
	SG 2756 Crank handle
	SG 2759 Profile
	SG 2888 Bottom link 127 mm
	SG 2892 Bottom weight 127 mm / 5"
	SG 2901 Profile
	SG 2912 Toothed chain
	SG 2916 Rotation element set 127 mm
	SG 2917 Rotation element set 100 mm
	SG 2920 Crank drive set
	SG 2925 Chain connector
	SG 2927 Pilot runner
	SG 2949 End stop

B. OPTIONAL PARTS

	SG 2182 Sleeve
	SG 2735 Holder
	SG 2754 Detachable crank hood
	SG 2755 Crank joint
	SG 2775 Sloping window distance part
	SG 2776 Sloping window distance part
	SG 2793 Sloping window distance part
	SG 2813 Top clip 89 mm
	SG 2881 Spring
	SG 2884 Bottom weight 89 mm
	SG 2889 Bottom link 89 mm
	SG 2890 Bottom weight 127 mm
	SG 2918 Rotation element set 89 mm
	SG 2919 Rotation element set 80 mm



SG 2932

Recess profile



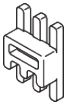
SG 2937

Safety device



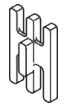
SG 2941

Wedge



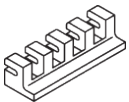
SG 2944

Limit stop



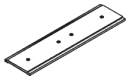
SG 2945

Limit stop



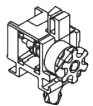
SG 2946

Limit stop



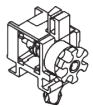
SG 2962

Connection bridge



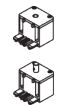
SG 2971

Rotation element sloping window



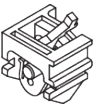
SG 2975

Pilot runner sloping window



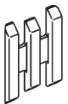
SG 2976

Drive set sloping window



SG 2979

Brake sloping window



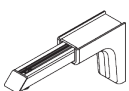
SG 2989

Connector



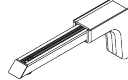
SG 3044

Clamp



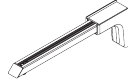
SG 11154

Universal Smart Fix 120 mm



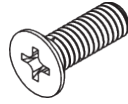
SG 11155

Universal Smart Fix 150 mm



SG 11156

Universal Smart Fix 200 mm



SG 11158

Countersunk head screw M4x12