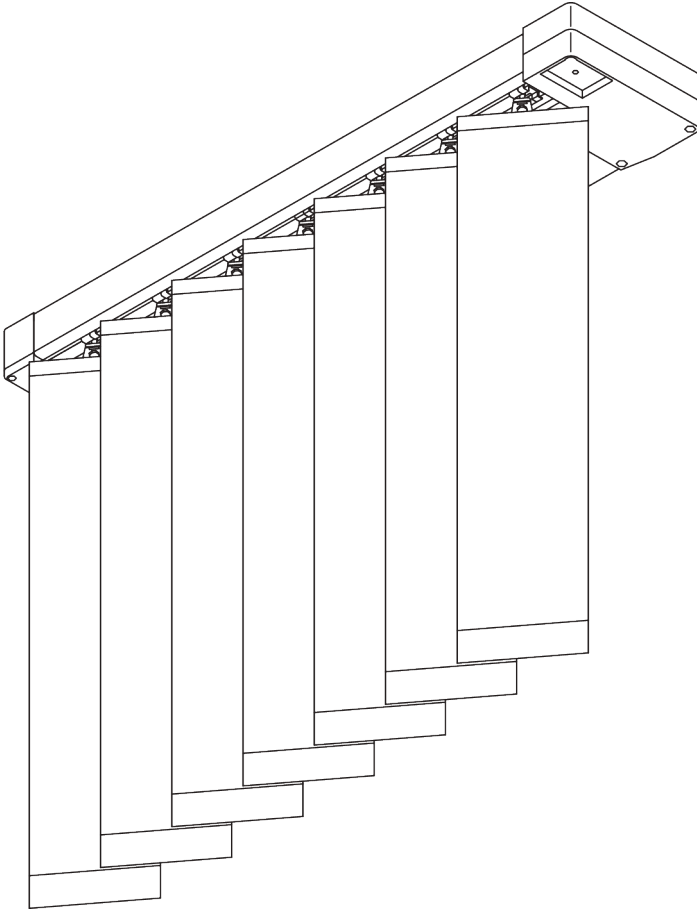
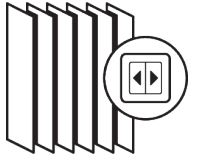


# SG 2950

---



## PRODUCT INFORMATION

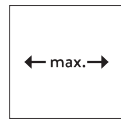
- **Operation:** motorised
- **Range:** S - L
- **Fitting:** ceiling, wall, recess
- **Colours:** white RAL 9016 or anodised aluminum, special colours possible
- **Fabrics:** refer to Silent Gliss fabric collection

### **Features:**

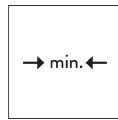
- Optimised light control
  - Various control options
  - Sloping applications
  - Louvre width: 127 mm (standard), 89 mm
  - Vertical Waves
  - Bendable
- 02/2025/V1

# SYSTEM SPECIFICATIONS

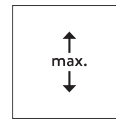
## A. SYSTEM DIMENSIONS



6 m



Single Stack: 50 cm  
Pair stack: 1.1 m




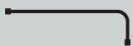
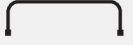

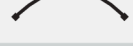



4 m









600 g per louvre

## Max. system widths

		
	127 mm 89 mm	6 m 6 m
	127 mm 89 mm	6 m 6 m
	127 mm 89 mm	6 m 5 m
	127 mm 89 mm	5 m 5 m
	127 mm 89 mm	6 m 5 m
	127 mm 89 mm	5 m 4.5m

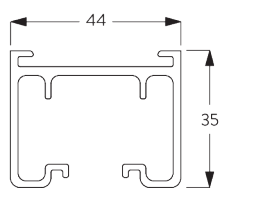
## Stack sizes

													
		100	150	200	250	300	350	400	450	500	550	600	
127 mm		27	35	42	50	57	65	72	80	87	95	101	
		21	25	28	32	36	39	43	47	50	54	58	
89 mm		29	40	50	60	69	80	89	100	110	120	129	
		20	25	30	35	39	45	50	56	60	65	69	

(cm)

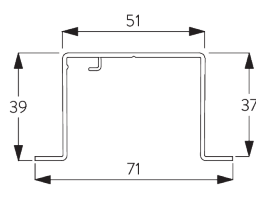
## B. PROFILE

### Profile and bending information



SG 2901

Profile

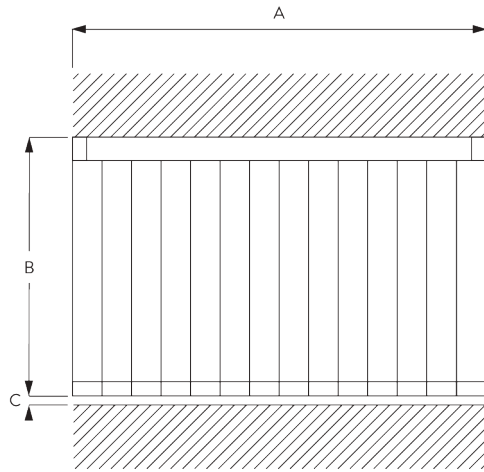


SG 2932

Recess profile

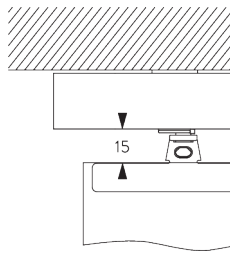


### C. HOW TO MEASURE



A: System width  
B: System height  
C: Distance between floor and fabric

### Light gap



### D. SPECIFICATION TEXT

#### EN

Silent Gliss SG 2950 Electrically Operated Vertical Blind System. Comprises aluminium profile SG 2901 supplied made to measure powder coated white or silver anodised. Assembled with motor SG 9090 / SG 9091, internal drive belt SG 2912 complete with rotation elements to suit louvre width 127 mm SG 2916 / 89 mm SG 2918. Top fixed with clamp SG 3033 at max 300 mm centres + 1. Wall fixed with clamp SG 3033 in conjunction with SG Universal Smart Fix brackets at 300 mm centres + 1. Recess fixed option with recess profile SG 2932 and wedge SG 2941. Operation by dry contact switching / Silent Gliss radio controls SG 9940. Fabric supplied from Silent Gliss fabric range.

#### SV

Silent Gliss SG 2950 Lamellsystem med motor. Innefattar aluminium profil SG 2901 i kundmått, pulverlackerad i vitt eller i alu finish. Monterad med motor SG 9090 / SG 9091, drivkedja SG 2912 och och pivåer för bredd 127 mm SG 2916 / 89 mm SG 2918. Takmontering med fäste SG 3033 c/c 300 mm + 1. Vägghmonterad med SG 3033 i kombination med SG Universal Smart Fix vinklar c/c 300 mm centres + 1. Infällning med profil SG 2932 och kilar SG 2941. Styrning via lågvoltkontakt / switching / Silent Gliss radio kontrollsystem SG 9940. Textil från Silent Gliss textilprogram prisgrupp 1-4.

#### NO

Silent Gliss SG2950 Lamellsystem med motor. Leveres på ønsket mål. Består av aluminiumprofil SG 2901, pulverlakkert i hvit eller i alu finish. Monteret med motor SG 9090 / SG 9091, Drivbånd SG 2912 og dreielement for bredde 127 mm SG2916 / 89 mm SG 2918. Takmontering med feste SG 3033 c/c 300 mm + 1. Veggmontert med SG 3033 i kombinasjon med SG univarsal Smart Fix vinkler c/c 300mm centres +1. Innfelling med profil SG 2932 og kiler SG 2941. Styring via lavvoltkontakt / switching / Silent Gliss rasiokontrollsystem SG 9940. Tekstil fra Silent Gliss tekstilkolleksjon prisgruppe 1-4.

#### DA

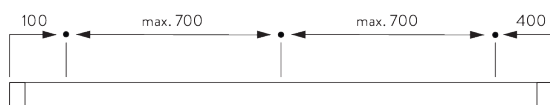
Silent Gliss SG 2950 elektrisk lodret rullegardinsystem. Består af aluminiumprofil SG 2901 i ønsket længde, i hvid pulverlakering eller sølv-anodiseret. Samlet komplet med motor SG 9090 / SG 9091, intern drivrem SG 2912, komplet med rotationselementer passende til lamelbredde 127 mm SG 2916 / 89 mm SG 2918. Loftmonteres med klemme SG 3033 med højst 300 mm afstand + 1. Vægmonteres med klemme SG 3033 i forbindelse med SG Universal Smart Fix beslag i afstande på 300 mm + 1. Indfældning fast tilbehør med indfældningsprofil SG 2932 og kile SG 2941. Styres med tør kontaktomskiftning / Silent Gliss radiokontrollsystem SG 9940. Stoffet leveres fra Silent Gliss stofprogrammet.

# FITTING

## A. FITTING INFORMATION

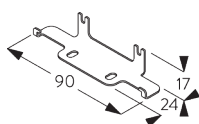
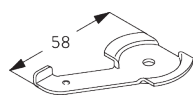
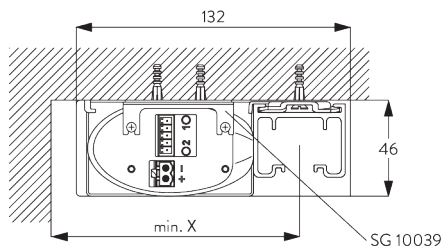
For detailed fitting information, visit the Silent Gliss website.

### Fixing points



## B. CEILING FITTING

### Clamp SG 3033 / SG 3044



**SG 3044**

Clamp

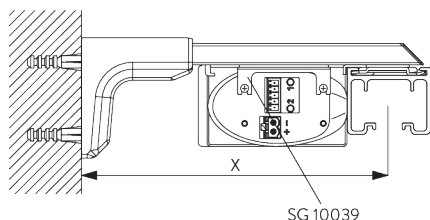
**SG 10039**

Motor support

Min. wall distance louvres	X mm
89 mm	120
127 mm	120
Vertical Waves 89 mm	115
Vertical Waves 125 mm	140

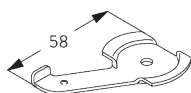
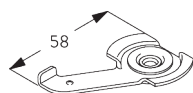
## C. WALL FITTING

### Smart Fix



### Universal Smart Fix SG 11156 and clamp SG 3033 / SG 3044

Screw SG 11158 (M4x12) needed.



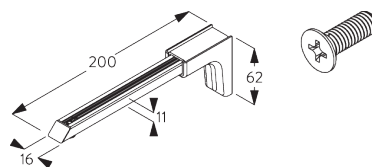
**SG 3033**

Clamp

**SG 3044**

Clamp

Smart Fix	X mm
SG 11156	182-210
Min. wall distance louvres	
89 mm	150
127 mm	150
Vertical Waves 89 mm	115
Vertical Waves 125 mm	140



**SG 11156**

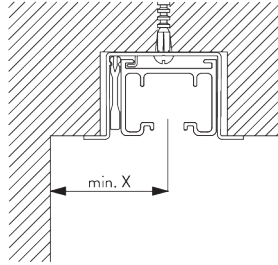
Universal Smart Fix 200 mm

**SG 11158**

Countersunk head screw  
M4x12

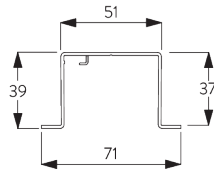
## D. RECESS FITTING

### Recess profile SG 2932

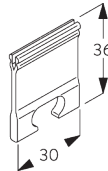


Recess profile SG 2932 can not be bent!  
Larger recess for motor is necessary!  
One wedge SG 2941 per fixing point.  
For detailed recess fitting, visit the Silent Gliss website.

Min. wall distance louvres	X mm
89 mm	65
127 mm	85
Vertical Waves 89 mm	115
Vertical Waves 125 mm	140



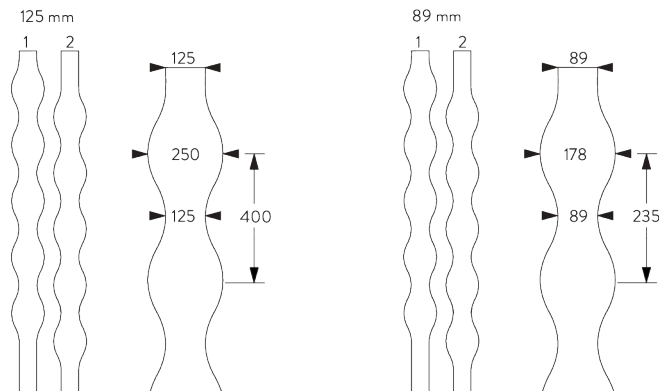
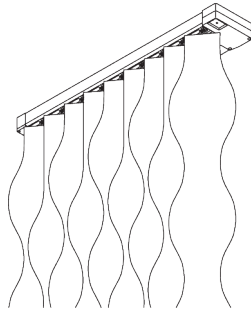
**SG 2932**  
Recess profile



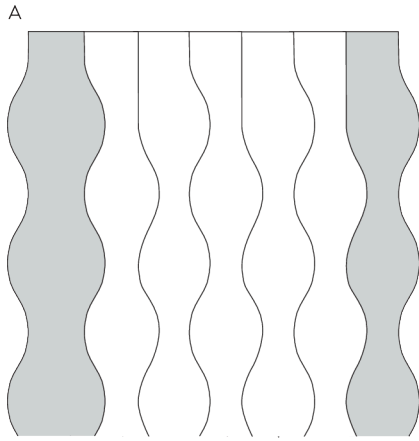
**SG 2941**  
Wedge

# SYSTEM OPTIONS

## A. VERTICAL WAVES



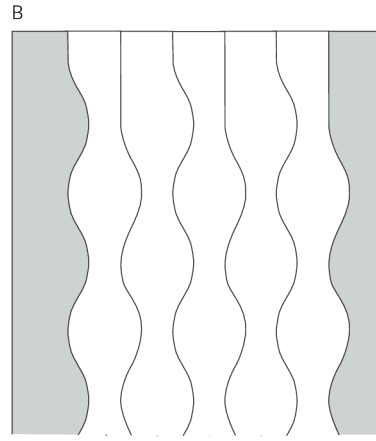
3D Vertical Waves only applicable with 125 mm louvres.



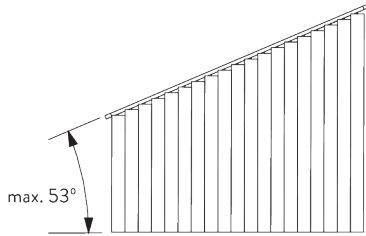
Wall ending

A: Wavy edge

B: Straight edge



## **B. SLOPING WINDOWS**



Maximum slope depends on louver widths:

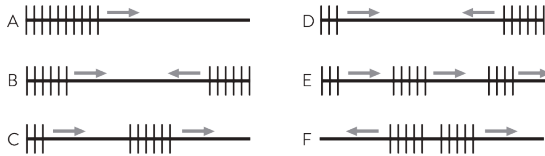
- 45° with 127 mm louvers

- 53° with 89 mm louvers

Not suitable with system option Vertical Waves.

Both the stack and the motor need to be at the top of the slope.

## **C. STACKING VARIATIONS**



A: Single stack in one direction

B: Pair stack in two directions symmetrical

C: Pair stack in one direction asymmetrical

D: Pair stack in two directions asymmetrical

E: Multiple stacking in one direction symmetrical or asymmetrical

F: Centre stack

# MOTORS & CONTROLS

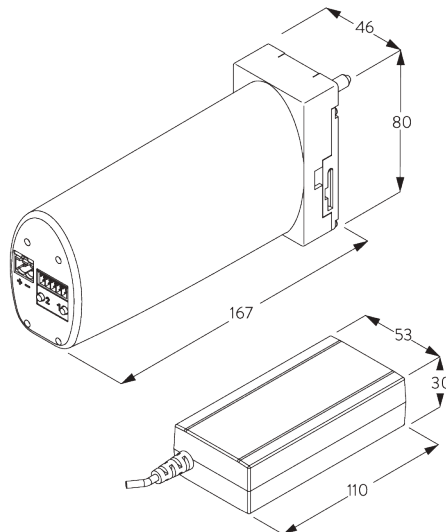
## A. MOTOR FEATURES

Motors	SG 2160
<b>Motor Features</b>	
Mechanical end-stop	●
Mechanical revolution counter (limited revolution)	●
Noiseless stop	●
IP class	IP 44
<b>Control Features</b>	
Mains power control	●
SG Control L (external receiver required)	●
Suitable for most major home automation systems (with suitable interface)	●

## B. MOTOR SPECIFICATIONS

Motors	Voltage	Current	System speed / sec	Frequency receiver
SG 9090	24 V DC	1.8 A	10 cm / sec	n/a
SG 9091	24 V DC	1.8 A	10 cm / sec	433/868/915 MHz

## C. MOTOR DIMENSIONS



Motors SG 9090 / SG 9091 DC (24 V)

Power supply SG 11426 needed to operate the motors.

## D. OPERATING METHODS

See catalogue "controls" for details.

Wall Switch



System can be operated by fixed wall switch.

**SG Control L**



*Various radio hand-held and wall transmitters available.*



*Silent Gliss Move App.*

**E. WIRING**  
**DIAGRAMS**

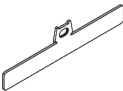

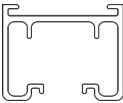


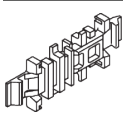
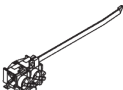

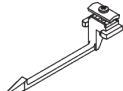
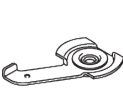
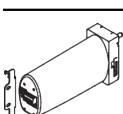
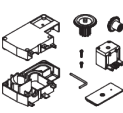
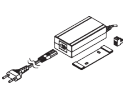


*Refer to Silent Gliss website.*

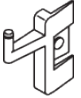




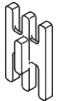

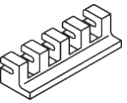
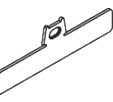
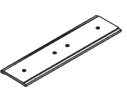
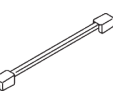
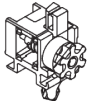
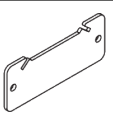
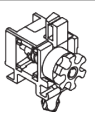

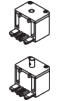
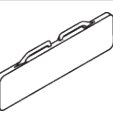
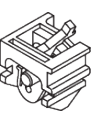



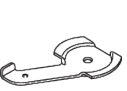

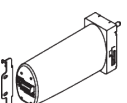
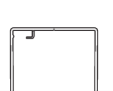


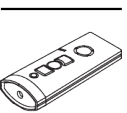


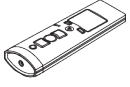
# PARTS

## A. STANDARD PARTS

	<b>SG 2605</b> Top clip 127 mm
	<b>SG 2888</b> Bottom link 127 mm
<td><b>SG 2892</b> Bottom weight 127 mm / 5"</td>	<b>SG 2892</b> Bottom weight 127 mm / 5"
	<b>SG 2901</b> Profile
	<b>SG 2912</b> Toothed chain
	<b>SG 2916</b> Rotation element set 127 mm
	<b>SG 2925</b> Chain connector
	<b>SG 2927</b> Pilot runner
	<b>SG 2949</b> End stop
	<b>SG 2982</b> End stop
	<b>SG 3033</b> Clamp
	<b>SG 9090</b> Motor 24V DC
	<b>SG 9119</b> Gear drive set
	<b>SG 11426</b> Power supply 24V / 2A including cable with EU/CH plug

## B. OPTIONAL PARTS

	<b>SG 2735</b> Holder		<b>SG 2941</b> Wedge
	<b>SG 2775</b> Sloping window distance part		<b>SG 2944</b> Limit stop
	<b>SG 2776</b> Sloping window distance part		<b>SG 2945</b> Limit stop
	<b>SG 2793</b> Sloping window distance part		<b>SG 2946</b> Limit stop
	<b>SG 2813</b> Top clip 89 mm		<b>SG 2962</b> Connection bridge
	<b>SG 2881</b> Spring		<b>SG 2971</b> Rotation element sloping window
	<b>SG 2884</b> Bottom weight 89 mm		<b>SG 2975</b> Pilot runner sloping window
	<b>SG 2889</b> Bottom link 89 mm		<b>SG 2976</b> Drive set sloping window
	<b>SG 2890</b> Bottom weight 127 mm		<b>SG 2979</b> Brake sloping window
	<b>SG 2917</b> Rotation element set 100 mm		<b>SG 2989</b> Connector
	<b>SG 2918</b> Rotation element set 89 mm		<b>SG 3044</b> Clamp
	<b>SG 2919</b> Rotation element set 80 mm		<b>SG 9091</b> Motor 24V DC, radio receiver
	<b>SG 2932</b> Recess profile		<b>SG 10300</b> Radio hand held 1 channel
	<b>SG 2937</b> Safety device		<b>SG 10302</b> Radio hand held 5+1 channel

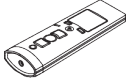


---

**SG 10303**

Radio hand held 10+2+1 channel

---

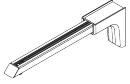


---

**SG 10804**

Radio hand held 15+5+1 channel

---



---

**SG 11156**

Universal Smart Fix 200 mm

---



---

**SG 11480**

Radio wall transmitter 1 channel

---



---

**SG 11490**

Radio wall transmitter 5+1 channel

---



