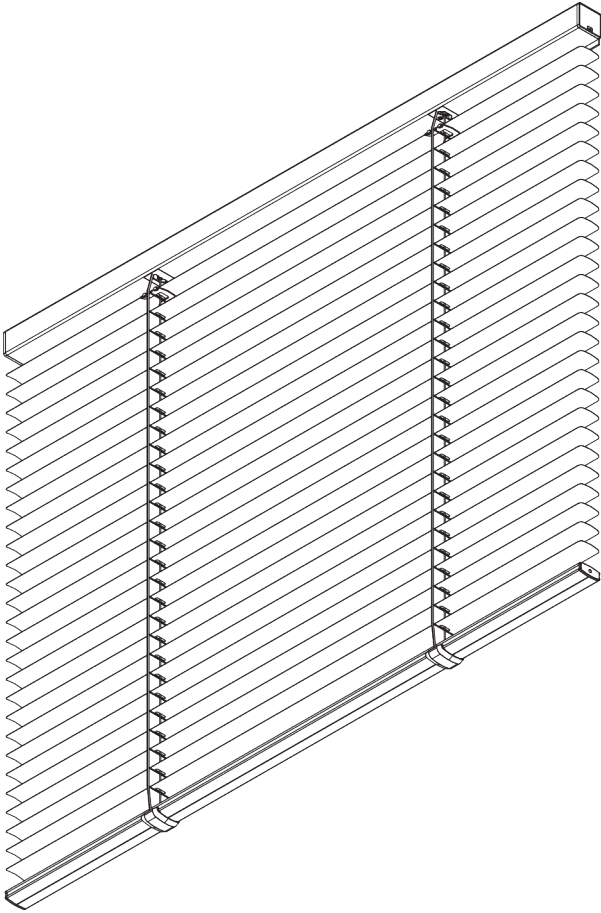
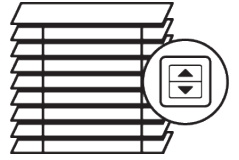


SG 8250



PRODUCT INFORMATION

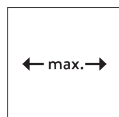
- **Operation:** motorised
- **Range:** S - M
- **Fitting:** ceiling, wall
- **Colours:** refer to Silent Gliss slat collection

Features:

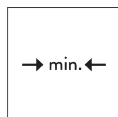
- Optimised light control
- Various control options
- Slat width: 25 mm (standard), 16 mm

SYSTEM SPECIFICATIONS

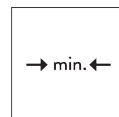
A. SYSTEM DIMENSIONS



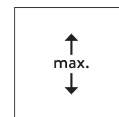
3 m



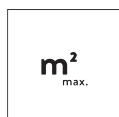
65 cm
(up to a height of 2 m)



80 cm
(up to a height of 3.4 m)



3.4 m



5 m²

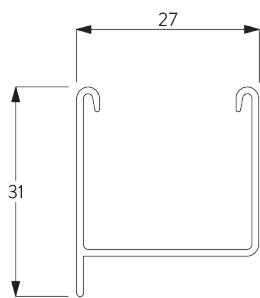
Slat stack heights

	16 / 25 mm	X	50	100	150	200	250	300	340
			6	8	10	12	14	15	17

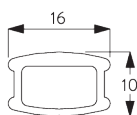
(cm)

B. PROFILE

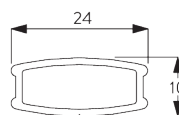
Profile information



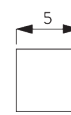
SG 8102
Profile



SG 8003
Bottom bar 16 mm

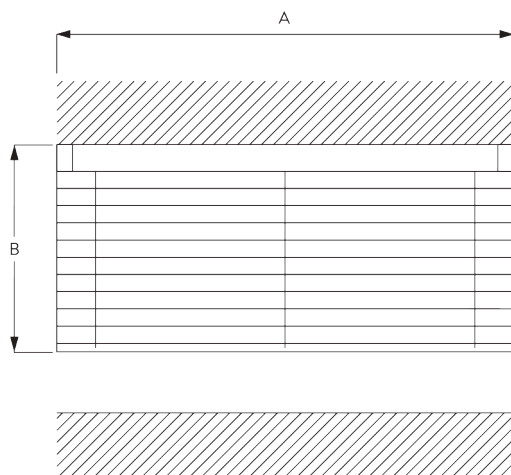


SG 8004
Bottom bar 24 mm



SG 8025
Shaft

C. HOW TO MEASURE



A: System width
B: System height

D. SPECIFICATION TEXT

EN

Silent Gliss SG 8250 Electrically Operated Venetian Blind. Supplied made to measure and complete comprising aluminium headrail SG 8102 incorporating a flange to minimise light ingress at top of blind. Fixed to ceiling or wall with snap on brackets SG 8201 at 800-1000 mm intervals plus one at 60 mm from each end. Operation by integrated 24 V DC motor SG 8060 controlled by fixed switch / third party control system subject to suitable interface by others / radio control systems SG 9940. All wireless controls at extra cost. Slat colour to be chosen from Silent Gliss 16/25 mm range Price Group 1-3.

SV

Silent Gliss SG 8250 Persiennsystem med motor. Levereras i kundens mått komplett med aluminiumkassett SG 8102 med list för att minimera ljusinsläpp i systemets ovkant. Montering i tak eller på vägg med SG 8201 med c/c 800-1000 mm samt fäste 60 mm från varje ände. Manövrering med inbyggd motor 24 V DC SG 8060 med väggbrytare eller externt styrsystem alternativt radio styrning SG 9940. Alla styrkomponenter är tillägg. Färg lameller väljs från Silent Gliss kollektion med 16 / 25 mm prisgrupp 1-3.

NO

Silent Gliss SG 8910 Persiennsystem med motor. Lameller med 50 mm dybde. Leveres på ønsket mål. Komplet med aluminiumkassett. SG 8102 med list for minimalt lysinnslipp i overkant av systemet. Monteres i tak eller på vegg med SG 8201 med c/c 800-100 mm og feste 60 mm fra hver ende. Styres med integrert motor 24V DC SG 8060 med veggbryter eller eksternt system eller radiostyring SG 9940. Alle styringskomponenter kommer i tillegg. Farge på lamellene velges fra Silent Gliss kolleksjon med 16/25 mm lameller, prisgruppe 1-3.

DA

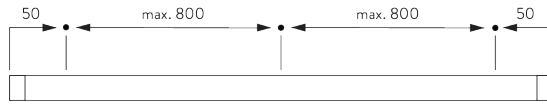
Silent Gliss SG 8250 elektrisk persienne. Leveres i ønsket længde og komplet, bestående af aluminiumkassette SG 8102 med en flange, der mindsker indtrængende lys i toppen af persiennen. Fastgøres til loft eller væg med beslag SG 8201 i afstande på 800-1000 mm plus en på 60 mm fra hver ende. Styling med integreret 24 V DC motor SG 8060 styret med fast kontakt / tredjeparts styresystem, forudsat at der er en egnet grænseflade fra andre / radiostyringssystemer SG 9940. Al trådløs styring mod ekstra betaling. Lamelfarven vælges fra Silent Gliss 16/25 mm-programmet, prisgruppe 1-3.

FITTING

A. FITTING INFORMATION

For detailed fitting information, visit the Silent Gliss website.

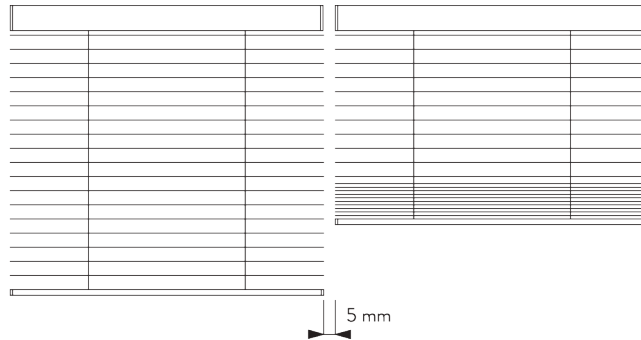
Fixing points



Note:

Never position the brackets SG 8201 on the take up reels.

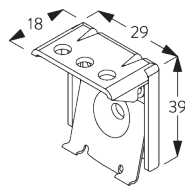
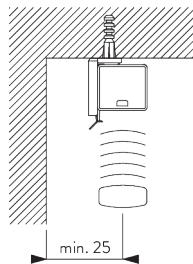
Side-by-side fitting



Min. distance: 5 mm

B. CEILING FITTING

Bracket SG 8201

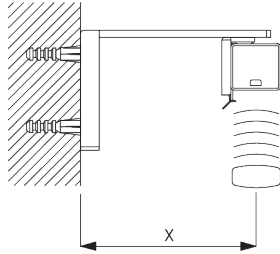


SG 8201

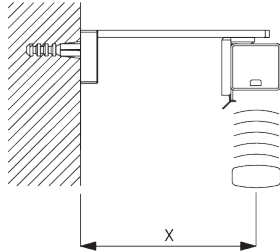
Bracket

C. WALL FITTING

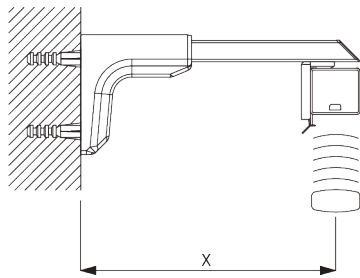
Smart Fix



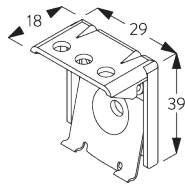
Smart Fix SG 11200 - SG 11203 and bracket SG 8201:
Screw SG 10395 (M4x6) needed.



Square Smart Fix SG 11210 - SG 11213 and bracket SG 8201:
Screw SG 10395 (M4x6) needed.



Universal Smart Fix SG 11154 - SG 11156 and bracket SG 8201:
Screw SG 10407 (M4x10) needed.



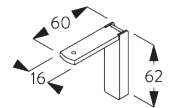
SG 8201
Bracket



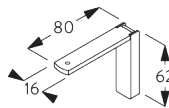
SG 10395
Pan head screw M4x6



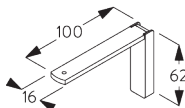
SG 10407
Pan head screw M4x10



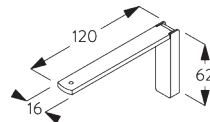
SG 11200
Smart Fix 60 mm



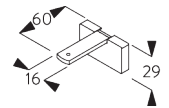
SG 11201
Smart Fix 80 mm



SG 11202
Smart Fix 100 mm

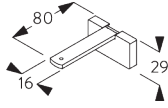


SG 11203
Smart Fix 120 mm

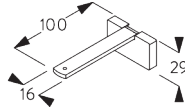


SG 11210
Square Smart Fix 60 mm

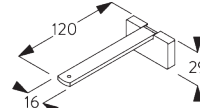
Smart Fix	X mm
SG 11200 / SG 11210	57
SG 11201 / SG 11211	77
SG 11202 / SG 11212	97
SG 11203 / SG 11213	117
SG 11154	107-135
SG 11155	137-165
SG 11156	187-215



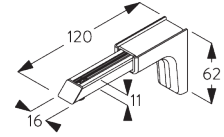
SG 11211
Square Smart Fix 80 mm



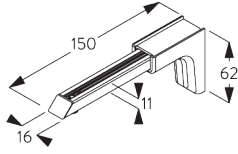
SG 11212
Square Smart Fix 100 mm



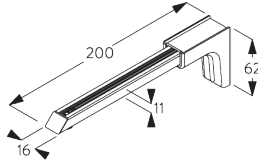
SG 11213
Square Smart Fix 120 mm



SG 11154
Universal Smart Fix 120 mm

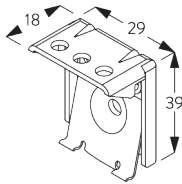
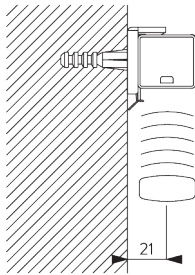


SG 11155
Universal Smart Fix 150 mm



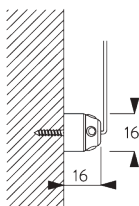
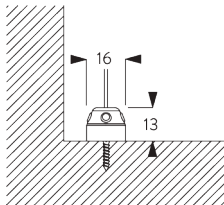
SG 11156
Universal Smart Fix 200 mm

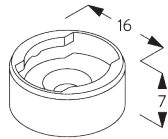
Bracket SG 8201



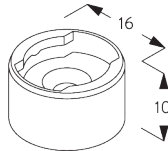
SG 8201
Bracket

D. FITTING WITH SIDE GUIDE OPTION

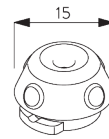




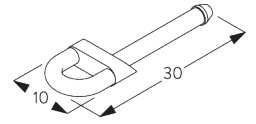
SG 8235
Side guide wire base short



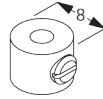
SG 8236
Side guide wire base long



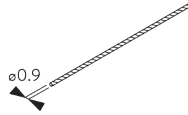
SG 8237
Side guide wire holder



SG 8241
Side guide eyelet



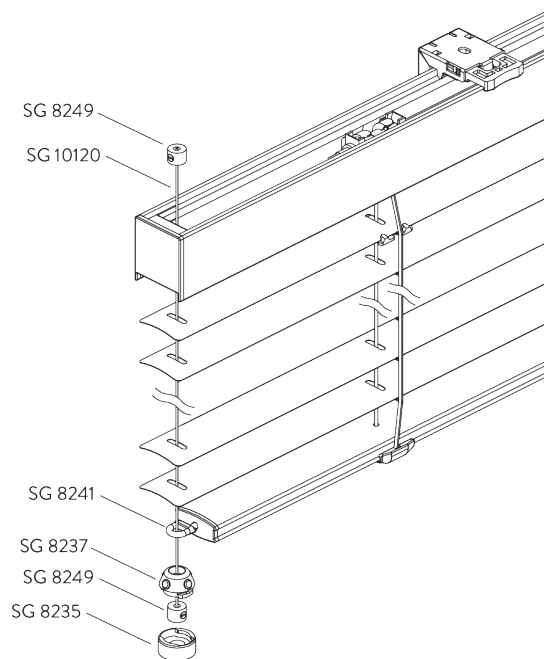
SG 8249
Side guide device



SG 10120
Side guide wire \varnothing 0.9 mm

SYSTEM OPTIONS

A. SIDE GUIDES



Additional parts:

- 2x SG 8235 Side guide wire base short
- 2x SG 8237 Side guide wire holder
- 2x SG 8241 Side guide eyelet
- 4x SG 8249 Side guide device
- 2x SG 10120 Side guide wire \varnothing 0.9 mm

Note:

- Up to 15° from vertical

MOTOR & CONTROLS

A. MOTOR FEATURES

Motors	SG 8605
Motor Features	
Mechanical end-stop	•
Mechanical revolution counter (limited revolution)	•
IP class	IP 44
Control Features	
Mains power control	•
SG Control L (external receiver required)	•
Suitable for most major home automation systems (with suitable interface)	•

B. MOTOR SPECIFICATIONS

Motor	Voltage	Current	Speed
SG 8060	24 V DC	0.65 A	30 rpm

C. OPERATING METHODS

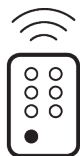
See catalogue "controls" for details.

Wall Switch



System can be operated by fixed wall switch.

SG Control L



Various radio hand-held and wall transmitters available. An external receiver is required.



Silent Gliss Move App.




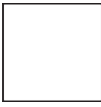


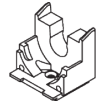
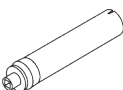
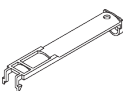
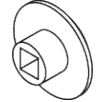
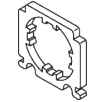

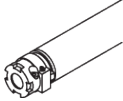
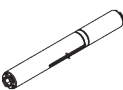
D. WIRING DIAGRAMS



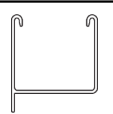
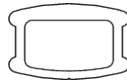
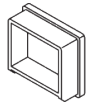
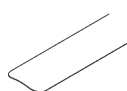


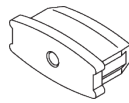
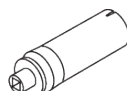
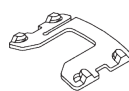
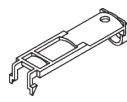
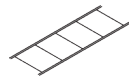


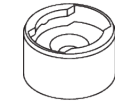
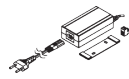
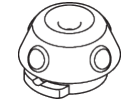
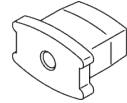
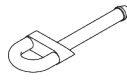
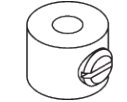
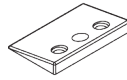
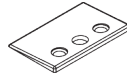
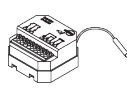
Refer to Silent Gliss website.

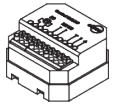
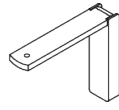
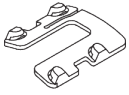
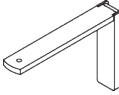
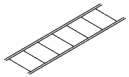
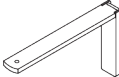
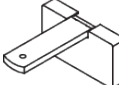
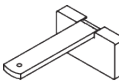
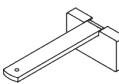
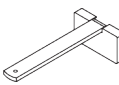
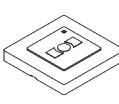
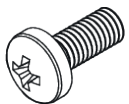
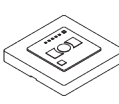
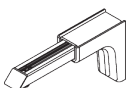
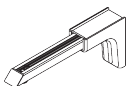
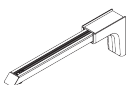
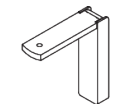
PARTS

A. STANDARD PARTS

	SG 8004 Bottom bar 24 mm
	SG 8007 Slat 25 mm
	SG 8013 Bottom clip 25 mm
	SG 8025 Shaft
	SG 8038 Shaft adaptor long
	SG 8039 Stop ring
	SG 8041 Bearing
	SG 8042 Cone long
	SG 8044 Cover long
	SG 8046 Ring
	SG 8047 Profile adaptor
	SG 8048 Shaft adaptor short
	SG 8049 End stop AMS 25
	SG 8060 Motor 24V DC, 0,8/40

B. OPTIONAL PARTS

	SG 8102 Profile		SG 8003 Bottom bar 16 mm
	SG 8106 End cover 25 mm		SG 8006 Slat 16 mm
	SG 8201 Bracket		SG 8012 Bottom clip 16 mm
	SG 8239 End cover 25 mm		SG 8043 Cone short
	SG 10104 Slat clip 25 mm		SG 8045 Cover short
	SG 10117 Ladder cord 25 mm		SG 8235 Side guide wire base short
	SG 10119 Lift cord ø 1.4 mm		SG 8236 Side guide wire base long
	SG 11426 Power supply 24V / 2A including cable with EU/CH plug		SG 8237 Side guide wire holder
			SG 8238 End cover 16 mm
			SG 8241 Side guide eyelet
			SG 8249 Side guide device
			SG 8262 Spacer 10°
			SG 8263 Spacer 4°
			SG 9068 Radio receiver Revio

**SG 9947***Control unit DC 24V***SG 11201***Smart Fix 80 mm***SG 10109***Slot clip 16 mm***SG 11202***Smart Fix 100 mm***SG 10116***Ladder cord 16 mm***SG 11203***Smart Fix 120 mm***SG 10120***Side guide wire ø 0.9 mm***SG 11210***Square Smart Fix 60 mm***SG 10300***Radio hand held 1 channel***SG 11211***Square Smart Fix 80 mm***SG 10302***Radio hand held 5+1 channel***SG 11212***Square Smart Fix 100 mm***SG 10303***Radio hand held 10+2+1 channel***SG 11213***Square Smart Fix 120 mm***SG 10395***Pan head screw M4x6***SG 11480***Radio wall transmitter 1 channel***SG 10407***Pan head screw M4x10***SG 11490***Radio wall transmitter 5+1 channel***SG 10804***Radio hand held 15+5+1 channel***SG 11154***Universal Smart Fix 120 mm***SG 11155***Universal Smart Fix 150 mm***SG 11156***Universal Smart Fix 200 mm***SG 11200***Smart Fix 60 mm*

